



Operations Critical Wireless Remote Control Pod, WP300 PMLN8298 User Manual

en-US

fr-CA

es-LA

pt-BR

zh-CN

zh-TW

ja-JP

ko-KR

de-DE

fr-FR

uk-UA

ar-OM

MAY 2022



Contents

Accessory Manager App Introduction.....	3
Safety and Legal.....	4
Certification Marks.....	4
Intellectual Property and Regulatory Notices.....	4
Product Safety and RF Exposure Compliance.....	5
Acoustic Safety.....	5
Important Information.....	5
Service and Warranty.....	7
Warranty Exclusion.....	7
Notice to Users (FCC and Industry Canada).....	8
Supplier's Declaration of Conformity.....	9
Chapter 1: Pod Overview.....	10
1.1 Radio/Device Compatibility and Incompatibility.....	12
Chapter 2: Getting Started.....	13
2.1 Charging the Pod.....	13
2.1.1 Battery Indication.....	13
2.1.2 Status Indication.....	13
2.1.3 Micro-USB Charger.....	14
2.2 Attaching Intergrated Microphone/Receiver Headset (Earpiece).....	14
2.3 Pairing or Unpairing the POD.....	15
Pairing the POD through Bluetooth.....	15
Pairing the POD through NFC.....	15
Unpairing the POD.....	16
2.4 Switching the Operation Mode.....	16
2.5 Entering or Exiting Dark Mode.....	16
2.6 Assembling the Clips.....	17
2.7 Disassembling the Clip.....	18

Accessory Manager App Introduction

Download and install Accessory Manager application for future software upgrades and new feature releases.

You are recommended to install Accessory Manager to upgrade accessory firmware to the latest version for the first time before use.



Safety and Legal

This section provides the safety and legal information for this product.

Learning Experience Portal (LXP) Manual do Usuário e documentação relacionada disponíveis em:
<https://learning.motorolasolutions.com/>

Certification Marks



CMIIT ID: 2021DP17747

摩托罗拉系统 (中国) 有限公司

Intellectual Property and Regulatory Notices

Copyrights

The Motorola Solutions products described in this document may include copyrighted Motorola Solutions computer programs. Laws in the United States and other countries preserve for Motorola Solutions certain exclusive rights for copyrighted computer programs. Accordingly, any copyrighted Motorola Solutions computer programs contained in the Motorola Solutions products described in this document may not be copied or reproduced in any manner without the express written permission of Motorola Solutions.

No part of this document may be reproduced, transmitted, stored in a retrieval system, or translated into any language or computer language, in any form or by any means, without the prior written permission of Motorola Solutions, Inc.

Trademarks

MOTOROLA, MOTO, MOTOROLA SOLUTIONS, and the Stylized M Logo are trademarks or registered trademarks of Motorola Trademark Holdings, LLC and are used under license. All other trademarks are the property of their respective owners.

License Rights

The purchase of Motorola Solutions products shall not be deemed to grant either directly or by implication, estoppel or otherwise, any license under the copyrights, patents or patent applications of Motorola Solutions, except for the normal non-exclusive, royalty-free license to use that arises by operation of law in the sale of a product.

Open Source Content

This product may contain Open Source software used under license. Refer to the product installation media for full Open Source Legal Notices and Attribution content.

European Union (EU) and United Kingdom (UK) Waste of Electrical and Electronic Equipment (WEEE) Directive



The European Union's WEEE directive and the UK's WEEE regulation require that products sold into EU countries and the UK must have the crossed-out wheeled bin label on the product (or the package in some cases). As defined by the WEEE directive, this crossed-out wheeled bin label means that customers and end-users in EU and UK countries should not dispose of electronic and electrical equipment or accessories in household waste.

Customers or end-users in EU and UK countries should contact their local equipment supplier representative or service centre for information about the waste collection system in their country.

Disclaimer

Please note that certain features, facilities, and capabilities described in this document may not be applicable to or licensed for use on a specific system, or may be dependent upon the characteristics of a specific mobile subscriber unit or configuration of certain parameters. Please refer to your Motorola Solutions contact for further information.

© 2022 Motorola Solutions, Inc. All Rights Reserved

Product Safety and RF Exposure Compliance

CAUTION:

Before using this product, read the RF Energy Exposure and Product Safety Guide that shipped with the radio which contains instructions for safe usage and RF energy awareness and control for compliance with applicable standards and regulation.

Acoustic Safety

Exposure to loud noises from any source for extended periods of time may temporarily or permanently affect your hearing. The louder the radio volume, the less time is required before your hearing could be affected. Hearing damage from loud noise is sometimes undetectable at first and can have a cumulative effect. To protect your hearing:

- Use the lowest volume necessary to do your job.
- Turn up the volume only if you are in noisy surroundings.
- Turn down the volume before wearing the earpiece.
- Limit the amount of time you use headsets or earpieces at high volume.
- When using the radio without a headset or earpiece, do not place the radio speaker directly against your ear.
- If you experience hearing discomfort, ringing in your ears, or speeches that are muffled, you should stop listening to your radio through your headset or earpiece, and have your hearing checked by your doctor. To change the volume level, refer to Radio Product Safety Leaflet or Costumer Programming Software (CPS) for Surveillance extra loud (xL) Kit Configurations.

Important Information

- Do not charge your accessory in temperature below 0 °C (32 °F) or above 45 °C (113 °F).
- Do not store your accessory in direct sunlight or where expected temperatures can exceed this range such as inside a parked car.
- Storing your fully charged accessory in high temperature conditions may permanently reduce the life of the internal battery.

- Battery life may temporarily shorten in low-temperature conditions.
- The Remote Control Pod should be stored in temperatures between -10 °C (14 °F) and 30 °C (86 °F) to minimize permanent battery capacity loss.



WARNING:

- To prevent injury, do not disassemble, puncture, or crush the Pod because this action can cause the battery to short-circuit.
- Do not expose or throw the Pod into heat or fire.
- Do not dispose the Pod into household waste.
- Do not fill the audio jack and USB charging port with water. If water enters the audio jack and/or USB charging port, remove water by shaking the Pod. Always cover the audio jack and USB charging port with a dust cap when not in use.

Service and Warranty

Other than the clip, the Pod is not repairable. The Pod is covered under the standard Motorola Solutions one-year limited warranty.

Warranty Exclusion

Motorola Solutions does not warrant the installation, maintenance or service of the Product, accessories, batteries, or parts.

Motorola Solutions is not responsible in any way for problems or damage caused by any ancillary equipment or peripherals (specific examples include, but are not limited to: batteries, chargers, adapters, and power supplies) not furnished or manufactured by Motorola Solutions which is attached to or used with the Product. When the Product is used with ancillary or peripheral equipment not supplied by Motorola Solutions, Motorola Solutions does not warrant the operation of the Product/peripheral combination. Motorola Solutions will not honor any warranty claim where the Product is used in such a combination and it is determined by Motorola Solutions that there is no fault with the Product. Upon open or dismantle the Product, the warranty is immediately voided. Motorola Solutions specifically disclaim any responsibility for any damage in any way caused by improper installation by unauthorized personnel.

Notice to Users (FCC and Industry Canada)

This device complies with Part 15 of the FCC rules and Industry Canada's license-exempt RSS's per the following conditions:

- This device may not cause harmful interference.
- This device must accept any interference received, including interference that may cause undesired operation.
- Changes or modifications made to this device, not expressly approved by Motorola Solutions, could void the authority of the user to operate this equipment.

Supplier's Declaration of Conformity

Supplier's Declaration of Conformity
Per FCC CFR 47 Part 2 Section 2.1077(a)



Responsible Party

Name: Motorola Solutions, Inc.

Address: 2000 Progress Pkwy, Schaumburg, IL. 60196

Phone Number: 1-800-927-2744

Hereby declares that the product:

Model Name: **WP300**

conforms to the following regulations:

FCC Part 15, subpart B, section 15.107(a), 15.107(d), and section 15.109(a)

Class B Digital Device

As a personal computer peripheral, this device complies with Part 15 of the FCC Rules. Operation is subject to the following two conditions:

- 1 This device may not cause harmful interference, and
- 2 This device must accept any interference received, including interference that may cause undesired operation.



NOTE:

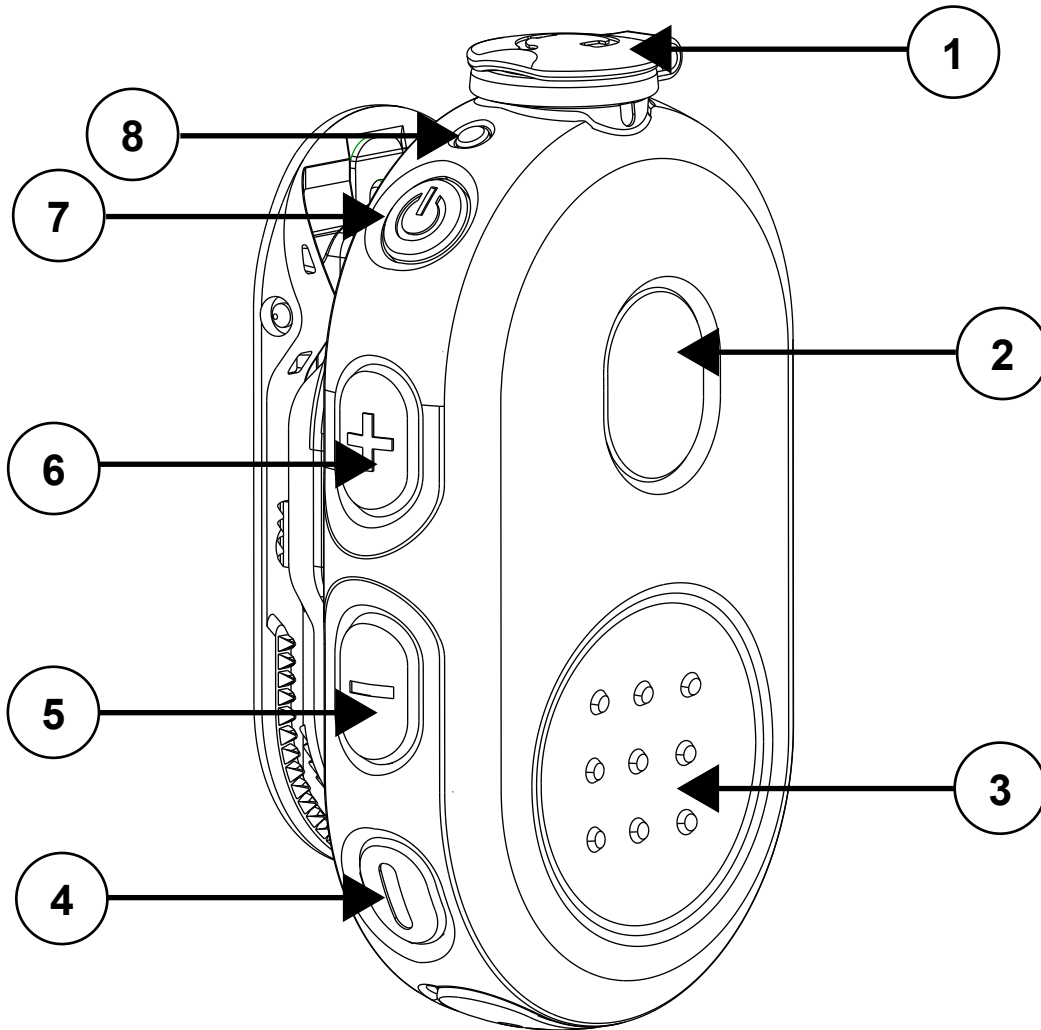
This equipment has been tested and found to comply with the limits for a Class B digital device, pursuant to part 15 of the FCC Rules. These limits are designed to provide reasonable protection against harmful interference in a residential installation. This equipment generates, uses and can radiate radio frequency energy and, if not installed and used in accordance with the instructions, may cause harmful interference to radio communications. However, there is no guarantee that interference will not occur in a particular installation.

If this equipment does cause harmful interference to radio or television reception, which can be determined by turning the equipment off and on, the user is encouraged to try to correct the interference by one or more of the following measures:

- Reorient or relocate the receiving antenna.
- Increase the separation between the equipment and receiver.
- Connect the equipment into an outlet on a circuit different from that to which the receiver is connected.
- Consult the dealer or an experienced radio or TV technician for help.

Chapter 1

Pod Overview



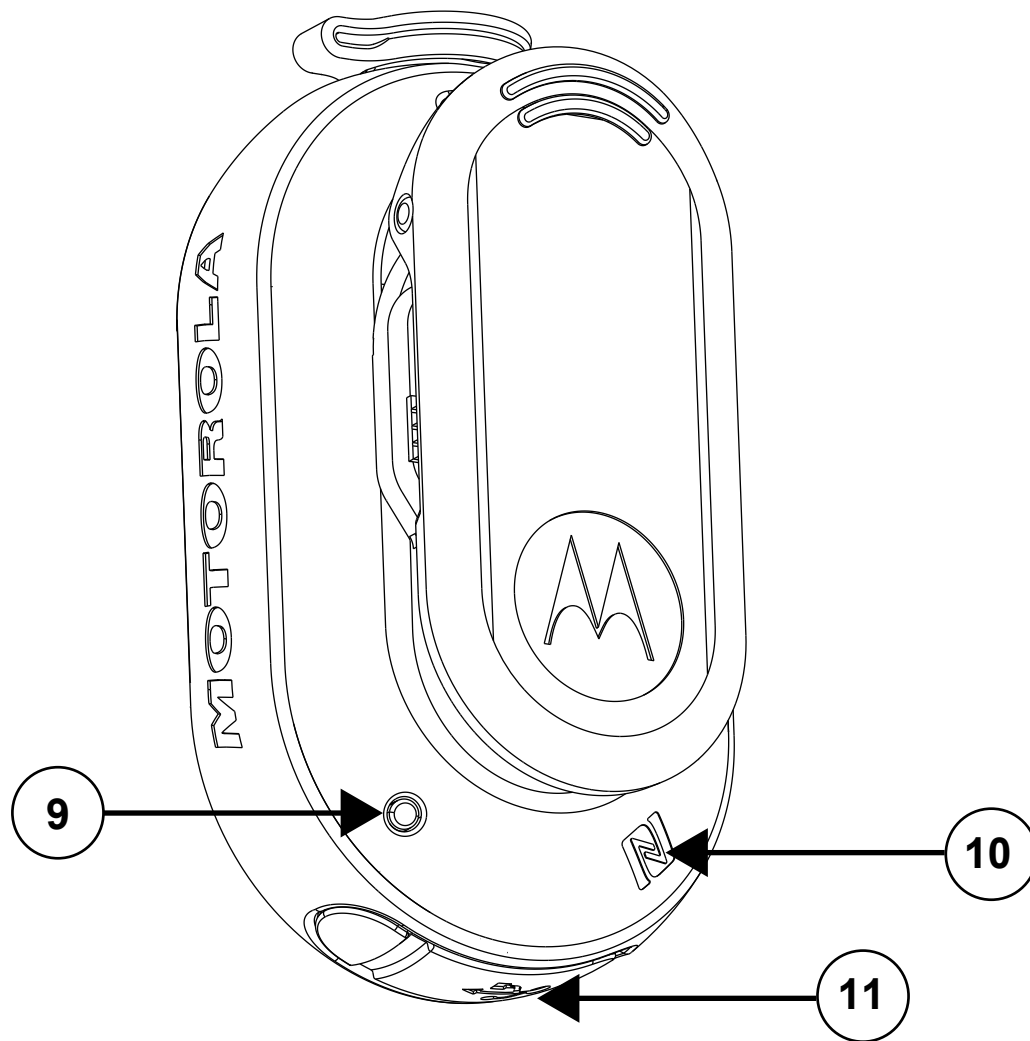



Table 1: Pod Overview and Description

Label	Description
1	Audio Jack
2	Call Button/Multifunctional Button (MFB)
3	PTT Button
4	Emergency Button
5	Volume Down
6	Volume Up
7	Power Button
8	Audio/Bluetooth indicator
9	Power/battery indicator
10	NFC Location
11	Charging Port

Label	Description
	NOTE: Call button/MFB and volume buttons are not applicable when function as a Stand-alone PTT device.

1.1

Radio/Device Compatibility and Incompatibility

List of radios or devices that are compatible to PMLN8298:

Radio/Device Compatibility

- Evolve and BYOD (Android or iOS) with Kodiak App version 10.0.x and beyond
- SLN1000
- TLK 100 series, TLK150
- LEX L11



NOTE: TLK100, TLK150, and SLN1000 support WP300 with PMLN8190, PMLN8077, or PMLN8125 earpiece only. (Separate Bluetooth or wired earpiece connected to the TLK device are not supported.)

Table 2: Compatible Parts and Accessories

Part Number	Description
PMLN8077A ¹	In-Line PTT Earpiece with Standard Cord
PMLN8125A ¹	In-Line PTT Earpiece with Short Cord
PMLN8190A ¹	1-Wire Enhance Clear Tube Earpiece, 2.5 mm Single Pin, Straight
PMLN6246A	Swivel Clip for Wireless Push-to-Talk PODs
PMLN8332A ¹	WP300 Fixed Mount Holster



NOTE:

- These accessories can be paired with a Kodiak Broadband PTT enabled device. To enable the emergency button functionality, ensure that the emergency function is enabled on the Kodiak. Refer to your Kodiak User Guide for setup instructions.
- Bluetooth Device Name: WP300_XXXX. The character string "WP300_XXXX" is the Bluetooth device name. "XXXX" is the last four digits of the Bluetooth address.
- The MAC Address is located on top of the individual box and within the QR code behind the belt clip. Additional MAC Address labels are provided in the individual box.
- To support new device/radios and functionalities, upgrade the WP300 firmware to the latest version.

Radio/Device Incompatibility

- Pixel 4 Android 10

¹ These accessories are purchased separately.

Chapter 2

Getting Started

Familiarize yourself with basic information on how to use your Remote Control Pod.

2.1

Charging the Pod

Prerequisites: Turn off the Pod before charging.

Procedure:

- 1 Connect the USB charging cable to the Pod to charge the Pod.
- 2 Plug the charging cable to USB power source.

Table 3: Charging Indicator

Power Indication	Description
Rapid blinking red	Charging error
Solid red	Charging
Blinking green	Almost fully charged
Solid green	Battery is fully charged

2.1.1

Battery Indication

When your Pod is not charging, refer to the following table to understand the indication.

Table 4: Battery Indication

Power Indication	Description
Off	Battery level is medium or high.
Blinking Red	Battery level is low.

2.1.2

Status Indication

Refer to the following table to understand the audio and Bluetooth status indication.

Table 5: Audio and Bluetooth Status

Audio/Bluetooth Indication	Description
Blinking in blue	Enter pairing
Solid blue	Disconnected
Double blinking blue (Once)	Connected

Audio/Bluetooth Indication	Description
Solid red	Mic muted
Blinking in green	Receiving incoming call



NOTE: Microphone is muted and incoming call indication is not applicable when function as a standalone PTT device.

Table 6: Status Indication

Indicator	Indication	Description
Audio/Bluetooth	Double-blinking blue	Connected
Power	Double-blinking green	Battery level is high
	Double-blinking amber	Battery level is medium



NOTE: To determine the detail status of the Pod, short press the **Power** button.

Table 7: Operation Mode Indication

Indicator	Indication	Description
Bluetooth and Power LED	Both LEDs blink red simultaneously.	Operation mode error
	The Bluetooth LED blinks blue twice and the Power LED blinks green twice simultaneously.	POD is entering or exiting Dark Mode

Refer to [Switching the Operation Mode](#) for proper operation mode setup.

2.1.3

Micro-USB Charger

This section provides information on using the Micro-USB Charger.

- The Micro-USB charger is a handy port that allows you to conveniently charge your battery.
- Make sure that your device is turned Off.
- Plug the Micro-USB cable into the Micro-USB charging port on your device.
- Connect the USB Charger to a nearby and easily accessible wall power outlet.



CAUTION:

Hold the USB connector when plugging in and out. Do not pull the cable.

Do not twist the dust cover.

2.2

Attaching Intergrated Microphone/Receiver Headset (Earpiece)

Procedure:

- 1 To attach and lock the earpiece, align the unlock symbol on the connector and push the connector in and turn the connector until the lock symbol is aligned.

- 2 To unlock and detach the earpiece, turn the connector to align the unlock symbol with the recess on the front housing and pull the connector out.



NOTE:

Attach or detach your earpiece prior to establishing the connection with the radio or adapter.

If the wireless is disconnected upon accidental, intentional removal, or attachment of the earpiece from or to the device, red LED blinks rapidly.

2.3

Pairing or Unpairing the POD

Prerequisites: Turn off your POD.

Pairing the POD through Bluetooth

To function in audio mode, ensure the earpiece portion of the Wireless Device is plugged into the POD portion. To function as a Standalone PTT Device, remove the earpiece.

Procedure:

- 1 Press and hold the **Power** button until the blue LED blinks.
- 2 From the compatible device, search and select **POD** from the Bluetooth list.

The device is connected.



NOTE: Always unpair the WP300 from the Bluetooth host and clear the pairing before starting a pairing process.

Pairing the POD through NFC

To function in audio mode, ensure the earpiece portion of the Wireless Device is plugged into the POD portion. To function as a Standalone PTT Device, remove the earpiece.

Procedure:

- 1 Press and hold the **Power** button until the blue LED blinks.
- 2 Align the NFC locations on both the POD and the compatible devices.
- 3 Check the compatible device for indication of successful pairing.

When pairing a standalone PTT device with certain host devices, the following prompt message appears: `Could not connect to WP300.`

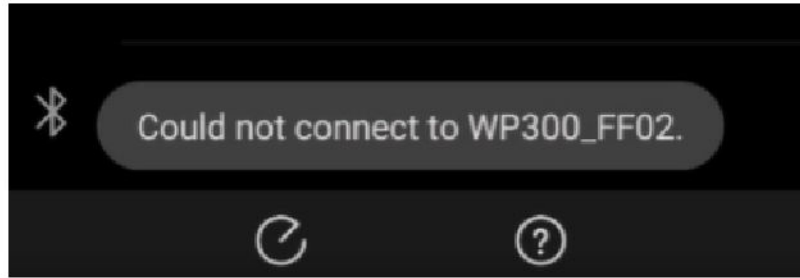
You must check if the **PTT** button and **Emergency** button are working properly. If the buttons are working, you can ignore this prompt message. If the buttons are not working, you need to manually pair the POD to the device through Bluetooth.



NOTE: Always unpair the WP300 from the Bluetooth host and clear the pairing before starting a pairing process.

Example:

Figure 1: Prompt Message



Unpairing the POD

Procedure:

- 1 Remove the POD from the paired device list on the previous paired compatible device.
- 2 Press and hold the **Power** and **PTT** buttons simultaneously.
The POD indicates that the paired device is "Cleared".

2.4

Switching the Operation Mode

To function in audio mode, ensure the earpiece portion of the Wireless Device is plugged into the POD portion. To function as a Standalone PTT Device, remove the earpiece.

Prerequisites: Turn off your POD.

Procedure:

- 1 Remove the POD from the paired device list on the compatible device if the POD has been paired before.
- 2 Press and hold the **Power** and **PTT** buttons simultaneously until the blue LED blinks.
- 3 Pair the POD from the compatible device.

2.5

Entering or Exiting Dark Mode

Dark Mode allows you to turn off the LEDs of a wireless device.

Prerequisites: Turn on the device.

Procedure:

Toggle the device in or out of Dark Mode by pressing the **Power** and **MFB** buttons simultaneously until the blue and green LED blink twice.

The POD plays a tone or voice prompt to alert you that the LEDs are turned off.

The wireless device does not show LED indication for the following functions when pressing the **Power** button:

- Lost Link

- Low Battery
- Operation Mode Error
- Status Indication

2.6

Assembling the Clips

Procedure:

- 1 Place the clip horizontally in the clip track area.



- 2 Slide the clip upward until a click is heard.



The following is the after assembly image.



2.7 Disassembling the Clip

Procedure:

- 1 Rotate the clip 90 °C (clockwise/anti-clockwise).



- 2 Lift up the metal spring and slide the clip out of the back cover.



- 3 While lifting the metal spring, slide the clip out of the back cover with your thumb.





Manuel d'utilisation du boîtier de télécommande sans fil indispensable, WP300 PMLN8298

MAI 2022

© 2022 Motorola Solutions, Inc. All rights reserved



MN007883A01-AE

Table des matières

Introduction à l'application Accessory Manager.....	3
Sécurité et aspect juridique.....	4
Marques de certification.....	4
Propriété intellectuelle et avis réglementaires.....	4
Sécurité du produit et respect des normes relatives à l'exposition aux radiofréquences.....	5
Protection de l'ouïe.....	5
Renseignements importants.....	6
Service et garantie.....	7
Exclusion de garantie.....	7
Avis aux utilisateurs (FCC et Industrie Canada).....	8
Déclaration de conformité du fournisseur.....	9
Chapitre 1 : Aperçu du POD.....	10
1.1 Compatibilité et incompatibilité radio/appareil.....	12
Chapitre 2 : Pour commencer.....	14
2.1 Charger le bouton.....	14
2.1.1 Indication de la batterie.....	14
2.1.2 Indication d'état.....	14
2.1.3 Chargeur micro-USB.....	15
2.2 Installation d'un microphone/récepteur intégré (écouteur).....	16
2.3 Association ou désassociation du POD.....	16
Association du POD par Bluetooth.....	16
Association du POD par NFC.....	16
Désassociation du POD.....	17
2.4 Changer le mode de fonctionnement.....	17
2.5 Entrée et sortie du mode obscurité.....	17
2.6 Assemblage des pinces.....	18
2.7 Démontage de la pince.....	19

Introduction à l'application Accessory Manager

Téléchargez et installez l'application Accessory Manager pour obtenir les mises à niveau logicielles futures et les nouvelles fonctionnalités.

Nous vous recommandons d'installer Accessory Manager pour mettre à jour le micrologiciel de l'accessoire à la version la plus récente avant la première utilisation.



Sécurité et aspect juridique

Cette section fournit des renseignements sur la sécurité et l'aspect juridique pour ce produit.

Learning Experience Portal (LXP) Manual do Usuário e documentação relacionada disponíveis em:
<https://learning.motorolasolutions.com/>

Marques de certification



ID CMIIT : 2021DP17747

摩托罗拉系统 (中国) 有限公司

Propriété intellectuelle et avis réglementaires

Droits d'auteur

Les produits Motorola Solutions décrits dans ce document peuvent inclure des programmes informatiques protégés par des droits d'auteur de Motorola Solutions. Les lois des États-Unis et d'autres pays réservent à Motorola Solutions certains droits exclusifs pour les programmes informatiques protégés par droits d'auteur. Par conséquent, tout programme informatique protégé par droits d'auteur de Motorola Solutions compris dans les produits Motorola Solutions décrits dans le présent document ne peut être copié ni reproduit de quelque manière que ce soit sans l'autorisation écrite expresse de Motorola Solutions.

Aucune partie du présent document ne peut être reproduite, transmise, stockée dans un système de recherche documentaire ou traduite dans une autre langue ou dans un langage informatique, sous quelque forme ou par quelque moyen que ce soit, sans l'autorisation écrite préalable de Motorola Solutions, Inc.

Marques de commerce

MOTOROLA, MOTO, MOTOROLA SOLUTIONS et le logo au M stylisé sont des marques de commerce ou des marques déposées de Motorola Trademark Holdings LLC et sont utilisées sous licence. Toutes les autres marques de commerce sont la propriété de leurs détenteurs respectifs.

Droits de licence

L'achat de produits Motorola Solutions ne peut être considéré comme une transaction octroyant directement, par inférence, estoppel ou autrement une licence en vertu des droits d'auteur, des droits de brevets ou d'une demande de brevet de Motorola Solutions, à l'exception d'une licence d'utilisation normale et non exclusive, libre de toute redevance, prévue par la loi lors de la vente d'un produit.

Contenu à code source libre

Ce produit peut contenir des logiciels libres utilisés sous licence. Reportez-vous au support d'installation du produit pour obtenir tous les avis juridiques relatifs aux logiciels libres et aux contenus d'attribution.

Directive sur la mise au rebut des équipements électriques et électroniques (DEEE) de l'Union européenne (UE) et du Royaume-Uni (RU)



La directive DEEE de l'Union européenne et les réglementations DEEE du Royaume-Uni exigent que les produits (ou leur emballage, dans certains cas) vendus dans les pays de l'UE ou au Royaume-Uni portent l'étiquette de la poubelle barrée. Comme le définit la directive DEEE, cette étiquette de poubelle barrée signifie que les clients et les utilisateurs finaux dans les pays de l'UE et du RU ne doivent pas jeter les équipements électriques et électroniques ou leurs accessoires dans les ordures domestiques.

Les clients ou les utilisateurs finaux dans les pays de l'UE et du RU doivent communiquer avec le représentant ou le centre de service de leur fournisseur d'équipement pour obtenir des renseignements sur le système de collecte des déchets de leur pays.

Avis de non-responsabilité

Veillez noter que certaines fonctionnalités, installations et capacités décrites dans ce document pourraient ne pas s'appliquer ou être accordées sous licence pour l'utilisation sur un système particulier, ou pourraient dépendre des caractéristiques d'une unité mobile d'abonné ou d'une configuration de certains paramètres. Veuillez consulter votre personne-ressource chez Motorola Solutions pour en savoir plus.

© 2022 Motorola Solutions, Inc. Tous droits réservés

Sécurité du produit et respect des normes relatives à l'exposition aux radiofréquences

MISE EN GARDE :

Avant d'utiliser ce produit, lisez le guide Exposition aux radiofréquences et sécurité du produit inclus avec la radio, lequel contient d'importantes instructions de fonctionnement pour une utilisation sécuritaire et des informations sur l'exposition aux fréquences radioélectriques afin d'assurer la conformité aux normes et règlements applicables.

Protection de l'ouïe

Une exposition à des bruits forts en provenance de n'importe quelle source pendant de longues périodes pourrait affecter votre audition de manière temporaire ou permanente. Plus le volume sonore de la radio est élevé, plus votre audition peut se détériorer rapidement. Des dommages auditifs dus à l'exposition à des bruits forts peuvent d'abord être indétectables, mais ceux-ci ont parfois des effets cumulatifs. Pour protéger votre audition :

- Réglez le volume le plus bas possible pour effectuer votre travail.
- Montez le volume seulement si vous vous trouvez dans un environnement bruyant.
- Baissez le volume avant de porter l'écouteur.
- Limitez la période de temps d'utilisation du casque ou de l'écouteur à volume élevé.
- Lorsque vous utilisez la radio sans casque ni écouteur, ne placez pas le haut-parleur directement sur votre oreille.
- Si vous ressentez une gêne auditive, que vous entendez des sifflements ou que les conversations sont étouffées, vous devez cesser d'utiliser votre radio avec un casque d'écoute ou une oreillette et consulter votre médecin pour faire vérifier votre audition. Pour changer le niveau de volume, reportez-vous à la brochure sur la sécurité du produit ou au logiciel de programmation client (CPS) pour trousse de surveillance extra forte (xL).

Renseignements importants

- Ne chargez pas votre accessoire à une température inférieure à 0 °C (32 °F) ou supérieure à 45 °C (113 °F).
- N'entreposez pas votre accessoire sous les rayons directs du soleil ou dans un endroit où la température prévue peut dépasser cette plage, comme à l'intérieur d'une voiture stationnée.
- L'entreposage de votre accessoire pleinement chargé sous des températures élevées pourrait réduire en permanence la durée de vie de la batterie interne.
- La durée de vie de la batterie peut être réduite temporairement sous des températures basses.
- Pour réduire les pertes de capacité permanentes, le bouton de télécommande doit être entreposé à une température comprise entre -10 °C (14 °F) et 30 °C (86 °F).



AVERTISSEMENT :

- Pour éviter les blessures, veillez à ne pas désassembler, écraser ou percer le bouton, ce qui pourrait causer un court-circuit de la batterie.
- N'exposez pas le bouton à la chaleur ou au feu.
- Ne jetez pas le bouton dans les ordures ménagères.
- Ne remplissez pas la prise audio et le port de charge USB d'eau. Si de l'eau pénètre dans la prise audio ou le port de charge USB, retirez-la en secouant le bouton. Couvrez toujours la prise audio et le port de charge USB avec un couvercle antipoussière lorsque vous ne les utilisez pas.

Service et garantie

À part la pince, le bouton n'est pas réparable. Le bouton est couvert par la garantie limitée standard d'un an de Motorola Solutions.

Exclusion de garantie

Motorola Solutions ne garantit pas l'installation, l'entretien ou la réparation du produit, des accessoires, des batteries ou des pièces.

Motorola Solutions n'est responsable d'aucune façon que ce soit pour les problèmes ou les dommages causés par tout équipement ou périphérique accessoire (par exemple, mais sans s'y limiter : batteries, chargeurs, adaptateurs et blocs d'alimentation) qui n'est pas fourni ou fabriqué par Motorola Solutions et qui est rattaché au produit ou utilisé avec ce dernier. Lorsque le produit est utilisé avec de l'équipement auxiliaire ou périphérique non fourni par Motorola Solutions, Motorola Solutions ne garantit pas le fonctionnement de la combinaison produit et du périphérique. Motorola Solutions n'honorera aucune réclamation au titre de la garantie si le produit est utilisé dans une telle combinaison et il est déterminé par Motorola Solutions que le produit ne présente aucun défaut. La garantie est immédiatement annulée si le produit est ouvert ou démonté. Motorola Solutions décline spécifiquement toute responsabilité pour tout dommage causé de quelque façon que ce soit par une installation inappropriée par du personnel non autorisé.

Avis aux utilisateurs (FCC et Industrie Canada)

Cet appareil est conforme aux CNR d'Industrie Canada applicables aux appareils radio exempts de licence et à la partie 15 des règlements de la FCC, en vertu des conditions suivantes :

- Cet appareil ne doit pas causer d'interférence nuisible.
- Cet appareil doit accepter toute interférence reçue, y compris les interférences pouvant entraîner un fonctionnement indésirable.
- Toute modification apportée à cet appareil sans l'autorisation explicite de Motorola Solutions peut annuler l'autorisation d'utiliser cet appareil.

Déclaration de conformité du fournisseur

Déclaration de conformité du fournisseur

Règlement CFR 47, partie 2, section 2.1077(a) de la FCC



Partie responsable

Nom : Motorola Solutions, Inc.

Adresse : 2000 Progress Pkwy, Schaumburg, IL. 60196

Numéro de téléphone : 1 800 927-2744

Déclare par les présentes que le produit :

Nom du modèle : **WP300**

est conforme aux réglementations suivantes :

Partie 15, sous-partie B, section 15.107(a), 15.107(d) et section 15.109(a) des règlements de la FCC

Appareil numérique de classe B

En tant que périphérique d'ordinateur personnel, cet appareil est conforme aux dispositions de la partie 15 des règlements de la FCC. Son utilisation est assujettie aux deux conditions suivantes :

- 1 Cet appareil ne doit pas causer d'interférence nuisible; et
- 2 Cet appareil doit accepter toute interférence reçue, y compris les interférences pouvant entraîner un fonctionnement indésirable.



REMARQUE :

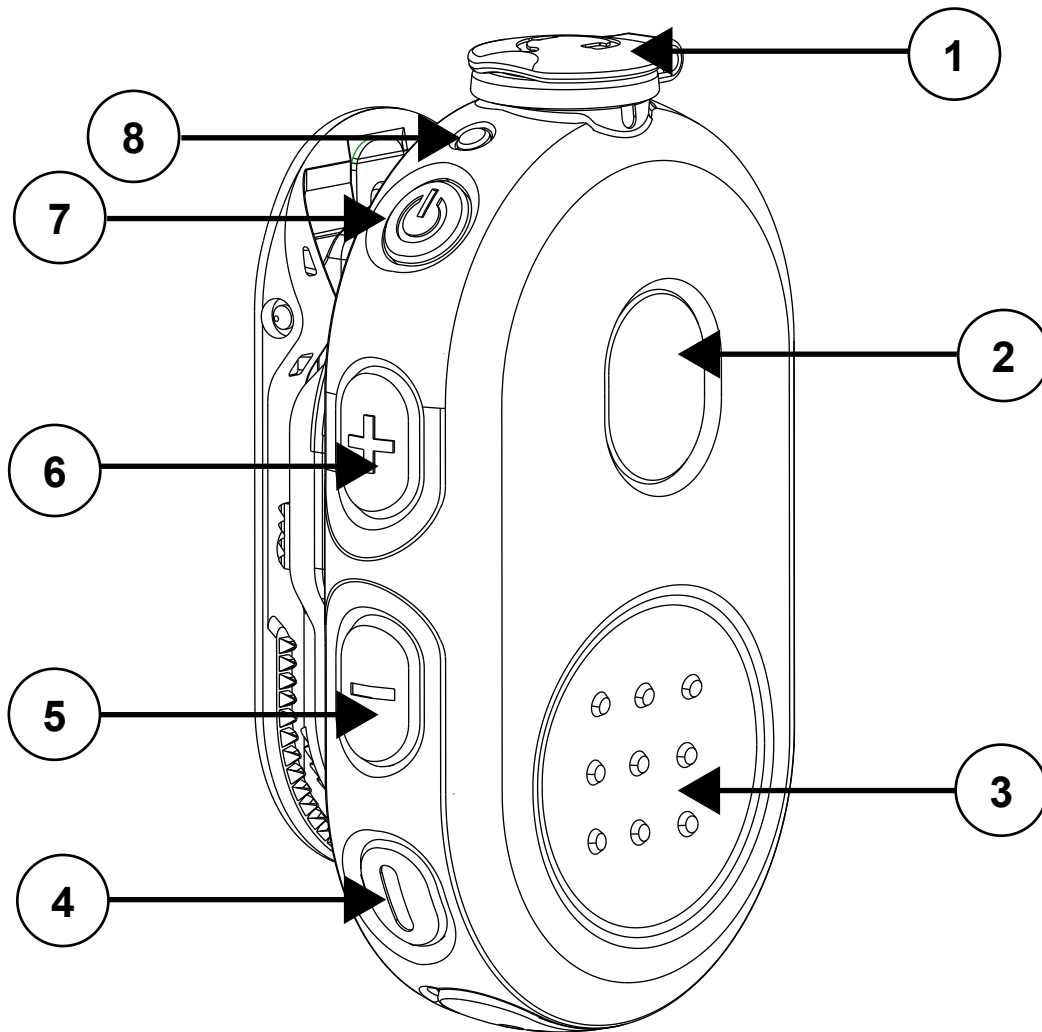
Cet équipement a fait l'objet de tests et a été déclaré conforme aux limites établies pour un appareil numérique de classe B, conformément à la section 15 des règlements de la FCC. Ces limites sont fixées afin d'offrir une protection suffisante contre des interférences nuisibles dans une installation résidentielle. Cet équipement génère, utilise et peut émettre de l'énergie de radiofréquence et, s'il n'est pas installé ou utilisé conformément aux instructions, il peut provoquer un brouillage nuisible aux communications radio. Cependant, il est impossible de garantir qu'il n'y aura aucune interférence dans une installation particulière.

Si cet appareil cause une interférence nuisible à la réception de la radio ou de la télévision, ce qui peut être déterminé en éteignant et en allumant l'appareil, vous êtes encouragé à remédier à la situation en prenant une ou plusieurs des mesures suivantes :

- Réorienter ou déplacer l'antenne réceptrice.
- Augmenter la distance entre l'équipement et le récepteur.
- Brancher l'appareil dans une autre prise sur un circuit différent de celui du récepteur.
- Consulter le distributeur ou un technicien de radio ou de télévision chevronné pour obtenir de l'aide.

Chapitre 1

Aperçu du POD



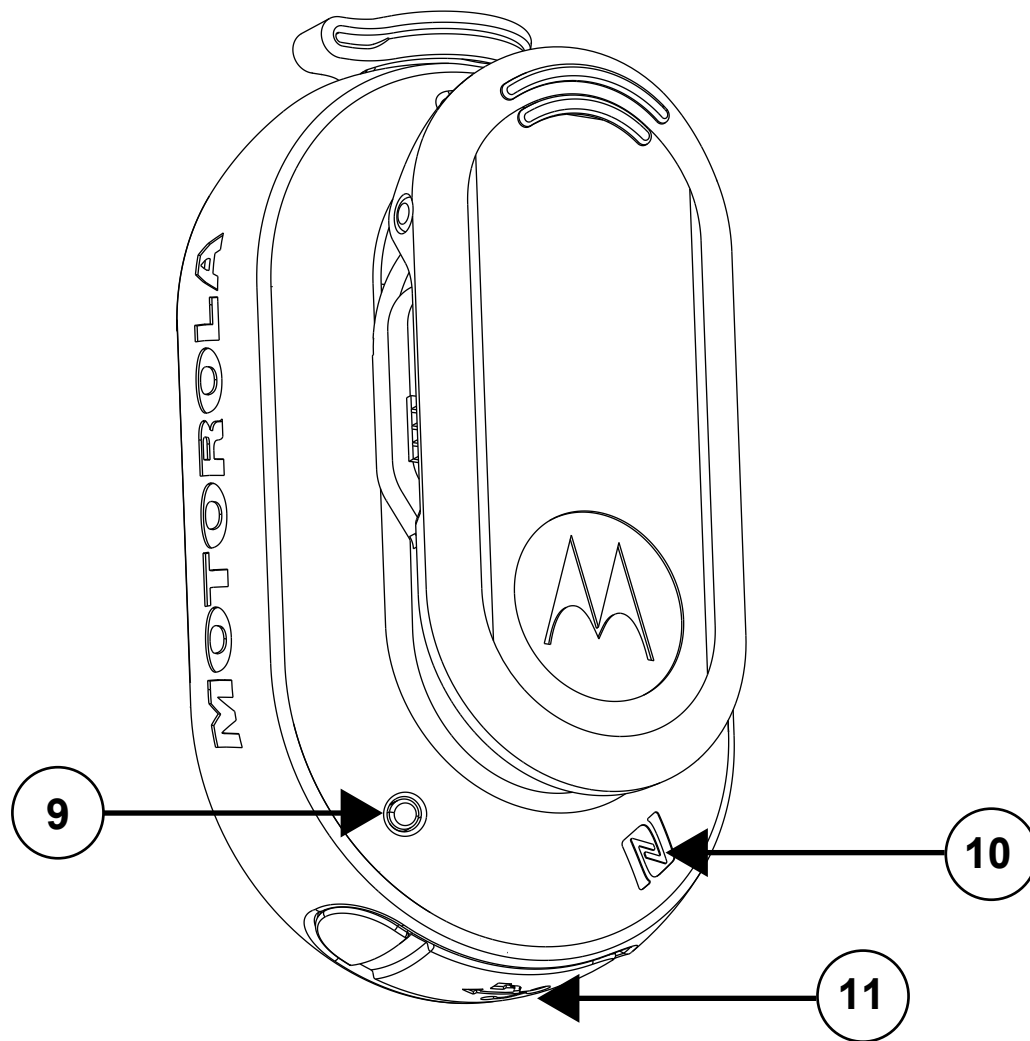



Tableau 1 : Aperçu et description du bouton

Étiquette	Description
1	Prise audio
2	Bouton d'appel/bouton multifonction (MFB)
3	Touche PTT
4	Bouton d'urgence
5	Réduction du volume
6	Augmentation du volume
7	Bouton d'alimentation
8	Indicateur audio/Bluetooth
9	Indicateur du niveau de charge de la batterie
10	Emplacement de la puce NFC
11	Port de charge

Étiquette	Description
 REMARQUE : Le bouton d'appel/MFB et les boutons de volume ne s'appliquent pas lorsque l'appareil fonctionne comme un PTT autonome.	

1.1

Compatibilité et incompatibilité radio/appareil

Liste des radios ou des appareils compatibles avec le modèle PMLN8298 :

Compatibilité radio/appareil

- Evolve et BYOD (Android ou iOS) avec l'application Kodiak version 10.0.x et plus
- SLN1000
- Série TLK 100, TLK150
- LEX L11



REMARQUE :

Les modèles TLK100, TLK150 et SLN1000 prennent en charge le WP300 avec oreillette PMLN8190, PMLN8077 ou PMLN8125 seulement. (Les oreillettes avec fil ou Bluetooth distinctes connectées à l'appareil TLK ne sont pas prises en charge.)

Tableau 2 : Pièces et accessoires compatibles

Numéro de pièce	Description
PMLN8077A ¹	Écouteur PTT en ligne avec cordon standard
PMLN8125A ¹	Écouteur PTT en ligne avec cordon court
PMLN8190A ¹	Écouteur à tube transparent amélioré à 1 fil, broche unique de 2,5 mm, droit
PMLN6246A	Pince pivotante pour boutons PTT sans fil
PMLN8332A ¹	Étui à support fixe WP300



REMARQUE :

- Ces accessoires peuvent être associés avec un appareil Kodiak PTT à large bande compatible. Pour activer la fonction de bouton d'urgence, assurez-vous que la fonction d'urgence est activée sur le Kodiak. Reportez-vous au guide de l'utilisateur du Kodiak pour les instructions d'installation.
- Nom de l'appareil Bluetooth : WP300_xxxx. La chaîne de caractères « WP300_xxxx » correspond au nom de l'appareil Bluetooth. « xxxx » sont les quatre derniers chiffres de l'adresse Bluetooth.
- L'adresse MAC se trouve sur le dessus de l'emballage individuel et dans le code QR derrière la pince de ceinture. D'autres étiquettes d'adresse MAC sont fournies dans chaque emballage.
- Pour prendre en charge de nouveaux appareils, de nouvelles radios et de nouvelles fonctionnalités, mettez à niveau le micrologiciel WP300 à la dernière version.

¹ Ces accessoires sont achetés séparément.

Incompatibilité radio/appareil

- Pixel 4 Android 10

Chapitre 2

Pour commencer

Familiarisez-vous avec les renseignements de base sur l'utilisation du bouton de télécommande.

2.1

Charger le bouton

Préalables :

Mettez le bouton hors tension avant de le recharger.

Procédure :

- 1 Branchez le câble de chargement USB au bouton pour le charger.
- 2 Branchez le câble de charge à une source d'alimentation USB.

Tableau 3 : Indicateur de charge

Indication d'alimentation	Description
Rouge clignotant rapidement	Erreur de charge
Rouge continu	Charge en cours
Vert clignotant	Presque entièrement chargé
Vert continu	La batterie est entièrement chargée

2.1.1

Indication de la batterie

Reportez-vous au tableau suivant pour comprendre l'indication lorsque votre bouton n'est pas en charge.

Tableau 4 : Indication de la batterie

Indication d'alimentation	Description
Désactivé	Niveau de batterie moyen ou élevé.
Rouge clignotant	Niveau de batterie faible.

2.1.2

Indication d'état

Reportez-vous au tableau suivant pour comprendre l'indication d'état audio et Bluetooth.

Tableau 5 : État audio et Bluetooth

Indication audio/Bluetooth	Description
Bleu clignotant	Entrée en mode d'association
Bleu continu	Déconnecté

Indication audio/Bluetooth	Description
Bleu clignotant double (une fois)	Connecté
Rouge continu	Microphone en sourdine
Vert clignotant	Réception d'un appel entrant


 **REMARQUE :**
 Le microphone est en sourdine et l'indication d'appel entrant ne s'applique pas lorsque l'appareil est utilisé comme un PTT autonome.

Tableau 6 : Indication d'état

Voyant	Indication	Description
Audio/Bluetooth	Bleu clignotant double	Connecté
Alimentation	Vert clignotant double	Niveau de batterie élevé
	Orange clignotant double	Niveau de batterie moyen


 **REMARQUE :**
 Pour obtenir les détails de l'état du bouton, appuyez brièvement sur le bouton **d'alimentation**.

Tableau 7 : Indication du mode de fonctionnement

Voyant	Indication	Description
Bluetooth et DEL d'alimentation	Les deux voyants clignotent en rouge simultanément.	Erreur de mode de fonctionnement
	Le voyant Bluetooth clignote deux fois en bleu et le voyant d'alimentation clignote deux fois en vert simultanément.	Le POD entre en mode obscurité ou en sort

Reportez-vous à la section [Commutation du mode de fonctionnement](#) pour obtenir la configuration appropriée du mode de fonctionnement.

2.1.3

Chargeur micro-USB

Cette section fournit des renseignements sur l'utilisation du chargeur micro-USB.

- Le chargeur micro-USB est un port très pratique pour charger votre batterie.
- Assurez-vous que l'appareil est éteint.
- Branchez le câble micro-USB dans le port de charge micro-USB de votre appareil.
- Branchez le chargeur USB à une prise murale à proximité facilement accessible.



MISE EN GARDE :

Tenez le connecteur USB lorsque vous le branchez et le débranchez. Ne tirez pas sur le câble. Ne pliez pas le couvercle antipoussière.

2.2

Installation d'un microphone/récepteur intégré (écouteur)

Procédure :

- 1 Pour installer et fixer l'écouteur, alignez le symbole de déverrouillage sur le connecteur, poussez le connecteur vers l'intérieur et tournez le connecteur jusqu'à ce que le symbole de verrouillage soit aligné.
- 2 Pour déverrouiller et détacher l'écouteur, tournez le connecteur pour aligner le symbole de déverrouillage avec l'encoche sur le boîtier avant et tirez le connecteur vers l'extérieur.



REMARQUE :

Fixez ou retirez votre écouteur avant d'établir la connexion avec la radio ou l'adaptateur.

Si le dispositif sans fil est déconnecté après un retrait ou une fixation accidentels ou intentionnels de l'écouteur à partir de l'appareil ou vers celui-ci, le voyant rouge clignote rapidement.

2.3

Association ou désassociation du POD

Préalables :

Éteignez le POD.

Association du POD par Bluetooth

Pour activer le mode audio, assurez-vous que la partie écouteur de l'appareil sans fil est branchée à la partie du POD. Pour utiliser l'appareil PTT de manière autonome, débranchez l'écouteur.

Procédure :

- 1 Appuyez sur le bouton **d'alimentation** et maintenez-le enfoncé jusqu'à ce que le voyant bleu clignote.
- 2 Sur l'appareil compatible, recherchez et sélectionnez **POD** dans la liste des appareils Bluetooth.

L'appareil est connecté.



REMARQUE :

Découplez toujours le WP300 de l'hôte Bluetooth et effacez le couplage avant de commencer un processus de couplage.

Association du POD par NFC

Pour activer le mode audio, assurez-vous que la partie écouteur de l'appareil sans fil est branchée à la partie du POD. Pour utiliser l'appareil PTT de manière autonome, débranchez l'écouteur.

Procédure :

- 1 Appuyez sur le bouton **d'alimentation** et maintenez-le enfoncé jusqu'à ce que le voyant bleu clignote.
- 2 Alignez les emplacements de NFC du POD et de l'appareil compatible.
- 3 Vérifiez l'indication de réussite de l'association sur l'appareil compatible.

Lors de l'appariement d'un appareil PTT autonome avec certains appareils hôtes, le message suivant s'affiche : Impossible de se connecter au WP300.

Vous devez vérifier que le bouton **PTT** et le bouton **d'urgence** fonctionnent correctement. Si les boutons fonctionnent, vous pouvez ignorer ce message-guide. Si les boutons ne fonctionnent pas, vous devez associer manuellement le POD à l'appareil par Bluetooth.

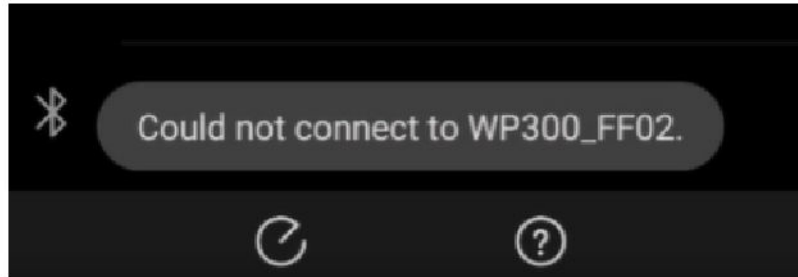


REMARQUE :

Découplez toujours le WP300 de l'hôte Bluetooth et effacez le couplage avant de commencer un processus de couplage.

Exemple :

Figure 1 : Message-guide



Désassociation du POD

Procédure :

- 1 Retirez le POD de la liste des appareils associés sur l'appareil compatible associé précédent.
- 2 Maintenez les boutons **d'alimentation** et **PTT** enfoncés simultanément.
Le POD indique que l'appareil associé est « effacé ».

2.4

Changer le mode de fonctionnement

Pour activer le mode audio, assurez-vous que la partie écouteur de l'appareil sans fil est branchée à la partie du POD. Pour utiliser l'appareil PTT de manière autonome, débranchez l'écouteur.

Préalables :

Éteignez le POD.

Procédure :

- 1 Retirez le POD de la liste des appareils associés de l'appareil compatible si le POD a déjà été associé.
- 2 Maintenez les boutons **d'alimentation** et **PTT** enfoncés simultanément jusqu'à ce que le voyant bleu clignote.
- 3 Associez le POD à partir de l'appareil compatible.

2.5

Entrée et sortie du mode obscurité

Le mode obscurité vous permet d'éteindre les voyants lumineux d'un appareil sans fil.

Préalables :

Allumez l'appareil.

Procédure :

Activez ou désactivez le mode obscurité en appuyant simultanément sur les boutons **d'alimentation** et **MFB** jusqu'à ce que les voyants bleus et verts clignotent deux fois.

Le bouton émet une tonalité ou une invite vocale pour vous avertir que les voyants sont éteints.

L'appareil sans fil n'affiche pas d'indication pour les fonctions suivantes lorsque vous appuyez sur le bouton **d'alimentation** :

- Lien perdu
- Batterie faible
- Erreur de mode de fonctionnement
- Indication d'état

2.6

Assemblage des pinces

Procédure :

- 1 Placez la pince à l'horizontale dans la rainure pour pince.



- 2 Faites glisser la pince vers le haut jusqu'à ce qu'un clic se fasse entendre.



Voici l'image après l'assemblage.



2.7

Démontage de la pince

Procédure :

- 1 Faites pivoter la pince de 90° (dans le sens horaire/antihoraire).



- 2 Soulevez le ressort métallique et faites glisser la pince pour la retirer du couvercle arrière.



- 3 Tout en soulevant le ressort métallique, faites glisser la pince avec votre pouce pour la retirer du couvercle arrière.





Manual del usuario de WP300 PMLN8298, control remoto inalámbrico de operaciones críticas

MAYO 2022

© 2022 Motorola Solutions, Inc. All rights reserved



MN007883A01-AE

Contenido

Introducción a la aplicación Accessory Manager.....	3
Protección e información legal.....	4
Marcas de certificación.....	4
Propiedad intelectual y avisos normativos.....	4
Seguridad del producto y cumplimiento de exposición a RF.....	5
Protección acústica.....	5
Información importante.....	6
Servicio y garantía.....	7
Exclusión de garantía.....	7
Nota para los usuarios (FCC e Industry Canada).....	8
Declaración de conformidad del distribuidor.....	9
Capítulo 1 : Descripción general del POD.....	11
1.1 Compatibilidad e incompatibilidad del radio/dispositivo.....	13
Capítulo 2 : Guía de introducción.....	15
2.1 Carga del POD.....	15
2.1.1 Indicación de batería.....	15
2.1.2 Indicación de estado.....	15
2.1.3 Cargador micro USB.....	16
2.2 Conexión de audífonos con micrófono/receptor integrados (auricular).....	17
2.3 Emparejamiento o desemparejamiento del POD.....	17
Emparejamiento del POD a través de Bluetooth.....	17
Emparejamiento del POD a través de NFC.....	17
Desemparejamiento del POD.....	18
2.4 Cambio del modo de funcionamiento.....	18
2.5 Ingreso o salida del modo oscuro.....	18
2.6 Emparejamiento de los clips.....	19
2.7 Desmontaje del clip.....	20

Introducción a la aplicación Accessory Manager

Descargue e instale la aplicación Accessory Manager para futuras actualizaciones de software y nuevas versiones de funciones.

Se recomienda instalar Accessory Manager para actualizar el firmware de los accesorios a la versión más reciente por primera vez antes de su uso.



Protección e información legal

Esta sección contiene información sobre la protección y los aspectos legales de este producto.

Learning Experience Portal (LXP) Manual do Usuário e documentação relacionada disponíveis em:
<https://learning.motorolasolutions.com/>

Marcas de certificación



CMIIT ID: 2021DP17747

摩托罗拉系统 (中国) 有限公司

Propiedad intelectual y avisos normativos

Derechos de autor

Entre los productos Motorola Solutions que se describen en esta documentación, se pueden incluir programas informáticos de Motorola Solutions que están protegidos por derechos de autor. Las leyes de Estados Unidos y de otros países preservan para Motorola Solutions ciertos derechos exclusivos sobre los programas informáticos protegidos por derechos de autor. Del mismo modo, los programas informáticos protegidos por derechos de autor de Motorola Solutions incluidos en los productos de Motorola Solutions descritos en este manual no podrán ser copiados ni reproducidos de ninguna forma sin el expreso consentimiento por escrito de Motorola Solutions.

Ninguna parte de este documento se puede reproducir, transmitir, almacenar en un sistema recuperable, ni traducir a ningún idioma ni lenguaje informático, de ninguna forma ni por ningún medio, sin la autorización expresa por escrito de Motorola Solutions, Inc.

Marcas comerciales

MOTOROLA, MOTO, MOTOROLA SOLUTIONS y el logotipo de la M estilizada son marcas comerciales o marcas comerciales registradas de Motorola Trademark Holdings, LLC y se utilizan bajo licencia. Todas las demás marcas comerciales pertenecen a sus respectivos propietarios.

Derechos de licencia

No se considerará que la compra de productos Motorola Solutions otorgue, en forma directa, implícita, por exclusión ni de ningún otro modo, una licencia sobre los derechos de autor, patentes o solicitudes de patentes de Motorola Solutions, excepto la licencia normal, no exclusiva y libre de regalías de uso que surge de las consecuencias legales de la venta de un producto.

Contenido de código abierto

Este producto puede contener un software de código abierto utilizado bajo licencia. Consulte los medios de instalación del producto para obtener el contenido completo de Atribución y Avisos legales de código abierto.

Directiva de Residuos de Aparatos Eléctricos y Electrónicos (RAEE) de la Unión Europea (UE) y el Reino Unido (UK)



En la Directiva de RAEE de la Unión Europea y el Reino Unido, se exige que los productos que se venden en los países de la UE y en el Reino Unido tengan la etiqueta de un bote de basura tachado sobre el producto (o en el paquete en algunos casos). Como se define en la Directiva de RAEE, esta etiqueta con un bote de basura tachado indica que los clientes y los usuarios finales en los países de la UE y el Reino Unido no deben arrojar equipos ni accesorios eléctricos y electrónicos en la basura doméstica.

Los clientes o los usuarios finales en los países de la UE y en el Reino Unido deben comunicarse con su representante distribuidor de equipos o centro de servicio local para obtener información sobre el sistema de recolección de residuos de su país.

Descargo de responsabilidad

Tenga en cuenta que determinadas funciones, instalaciones y capacidades que se describen en este documento podrían no ser aplicables o no tener licencia para su uso en un sistema específico, o bien pueden ser dependientes de las características de una unidad de suscriptor móvil específico o la configuración de ciertos parámetros. Comuníquese con un representante de Motorola Solutions para obtener más información.

© 2022 Motorola Solutions, Inc. Todos los derechos reservados.

Seguridad del producto y cumplimiento de exposición a RF

PRECAUCIÓN:

Antes de utilizar este producto, lea la Guía de exposición a energía de radiofrecuencia y seguridad del producto que se incluye con el radio, la que contiene instrucciones para el uso seguro y el conocimiento y control de la energía de radiofrecuencia (RF), con el fin de cumplir con los estándares y las regulaciones correspondientes.

Protección acústica

La exposición a ruidos fuertes de cualquier fuente durante períodos prolongados podría afectar la audición de manera temporal o permanente. Cuanto más alto esté el volumen del radio, más rápido se verá afectada la audición. En ocasiones, el daño a la audición provocado por ruidos fuertes es indetectable en un principio y puede tener efecto acumulativo. Para proteger la audición, realice las siguientes acciones:

- Utilice el volumen más bajo que necesite para hacer su trabajo.
- Aumente el volumen solo si se encuentra en un ambiente ruidoso.
- Reduzca el volumen antes de usar el auricular.
- Restrinja el tiempo durante el cual usa los auriculares o los audífonos a volumen alto.
- Cuando use el radio sin los auriculares o audífonos, no ponga el altavoz del radio directamente en la oreja.
- Si experimenta molestias para escuchar, zumbido en los oídos o no escucha bien cuando le hablan, debe dejar de escuchar el radio a través del audífono o auricular y pedirle a un médico que examine su audición. Para cambiar el nivel de volumen, consulte el folleto de protección del producto de radio o el software de programación para el cliente (CPS) a fin de obtener información sobre la configuración del kit de vigilancia con volumen extra fuerte (xL).

Información importante

- No cargue el accesorio a temperaturas inferiores a 0 °C (32 °F) ni superiores a 45 °C (113 °F).
- No almacene el accesorio en lugares con exposición directa a la luz solar o donde las temperaturas puedan sobrepasar este margen como, por ejemplo, dentro de un automóvil estacionado.
- Si guarda los accesorios con una carga completa a altas temperaturas, puede reducir de manera permanente la vida útil de la batería interna.
- La vida útil de la batería puede reducirse de manera temporal a bajas temperaturas.
- El POD de control remoto se debe almacenar a temperaturas entre -10 °C (14 °F) y 30 °C (86 °F) para reducir la pérdida permanente de capacidad de la batería.



ADVERTENCIA:

- Para evitar lesiones, no desmonte, perforo ni aplaste el POD, ya que esta acción puede provocar un cortocircuito en la batería.
- No exponga ni arroje el POD al calor o al fuego.
- No deseche el POD en la basura doméstica.
- No llene de agua el conector de audio ni el puerto de carga USB. Si entra agua en el conector de audio o en el puerto de carga USB, agite el POD para sacar el agua. Cubra siempre el conector de audio y el puerto de carga USB con una tapa antipolvo cuando no los utilice.

Servicio y garantía

Además del clip, el POD no se puede reparar. El POD está cubierto por la garantía limitada de un año estándar de Motorola Solutions.

Exclusión de garantía

Motorola Solutions no garantiza la instalación, el mantenimiento ni el servicio del producto, los accesorios, las baterías ni las piezas.

Motorola Solutions no se hace responsable de ninguna manera por problemas o daños causados por equipos auxiliares o periféricos (algunos ejemplos específicos incluyen, entre otros: baterías, cargadores, adaptadores y fuentes de alimentación), no suministrados o fabricados por Motorola Solutions, que se conectan al producto o se utilizan con este. Cuando el producto se utiliza con equipos periféricos o auxiliares no suministrados por Motorola Solutions, Motorola Solutions no garantiza el funcionamiento de la combinación de productos ni periféricos. Motorola Solutions no respetará ningún reclamo de garantía en el que el producto se utilice en tal combinación, y en que Motorola Solutions determine que no hay ninguna falla del producto. Al momento de abrir o desmontar el producto, la garantía se anulará inmediatamente. Motorola Solutions renuncia expresamente a cualquier responsabilidad por cualquier daño causado por la instalación incorrecta por parte de personal no autorizado.

Nota para los usuarios (FCC e Industry Canada)

Este dispositivo cumple con la parte 15 de las normas de la FCC y con los estándares RSS exentos de licencia de Industry Canada conforme a las siguientes condiciones:

- Este dispositivo no puede provocar interferencia nociva.
- Este dispositivo debe aceptar toda interferencia recibida, incluida aquella interferencia que pudiera causar un funcionamiento no deseado.
- Los cambios o las modificaciones que se realicen en este dispositivo, no aprobados expresamente por Motorola Solutions, podrían anular el permiso del usuario para operar este equipo.

Declaración de conformidad del distribuidor

Declaración de conformidad del distribuidor

Conforme a FCC, CFR 47, parte 2, sección 2.1077(a)



Parte responsable

Nombre: Motorola Solutions, Inc.

Dirección: 2000 Progress Pkwy, Schaumburg, IL. 60196

Número de teléfono: 1-800-927-2744

Por la presente, declara que el producto:

Nombre del modelo: **WP300**

cumple con las siguientes normativas:

FCC parte 15, subparte B, sección 15.107(a), 15.107(d) y sección 15.109(a)

Dispositivo digital de clase B

Como dispositivo informático periférico, este producto cumple con la parte 15 de las normas de la Comisión Federal de Comunicaciones (FCC). El funcionamiento está sujeto a las siguientes dos condiciones:

- 1 Este dispositivo no puede provocar interferencia nociva.

- 2 Este dispositivo debe aceptar toda interferencia recibida, incluida aquella interferencia que pudiera causar un funcionamiento no deseado.

**NOTA:**

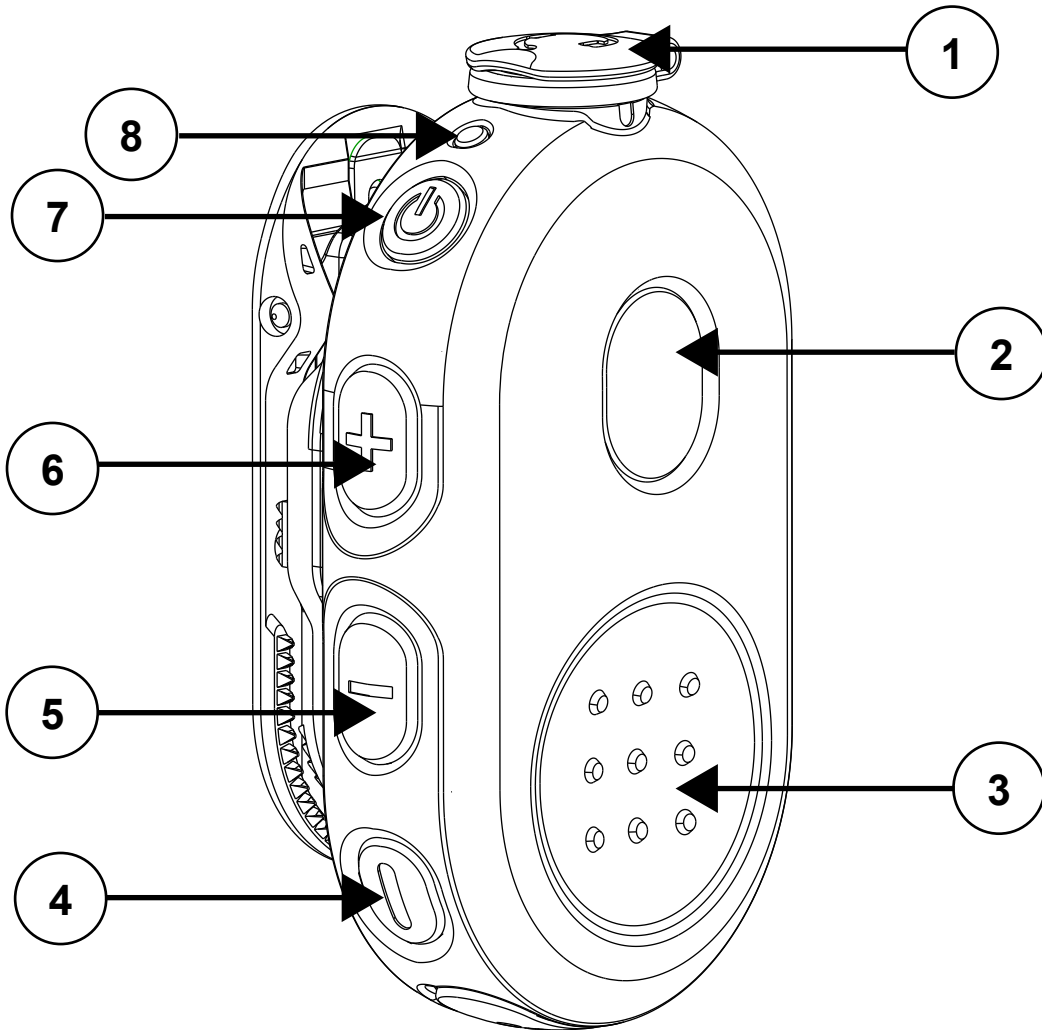
Este equipo ha sido probado y se ha corroborado que respeta los límites estipulados para dispositivos digitales de clase B, conforme a lo dispuesto en la sección 15 de las normas de la FCC. Estos límites están diseñados para ofrecer una protección razonable contra interferencias nocivas en una instalación residencial. Este equipo genera, utiliza y puede emitir energía de radiofrecuencia, y, si no se instala ni se utiliza según las instrucciones, puede causar interferencia nociva en las comunicaciones por radio. No obstante, no existe garantía de que no se produzca interferencia en una instalación específica.

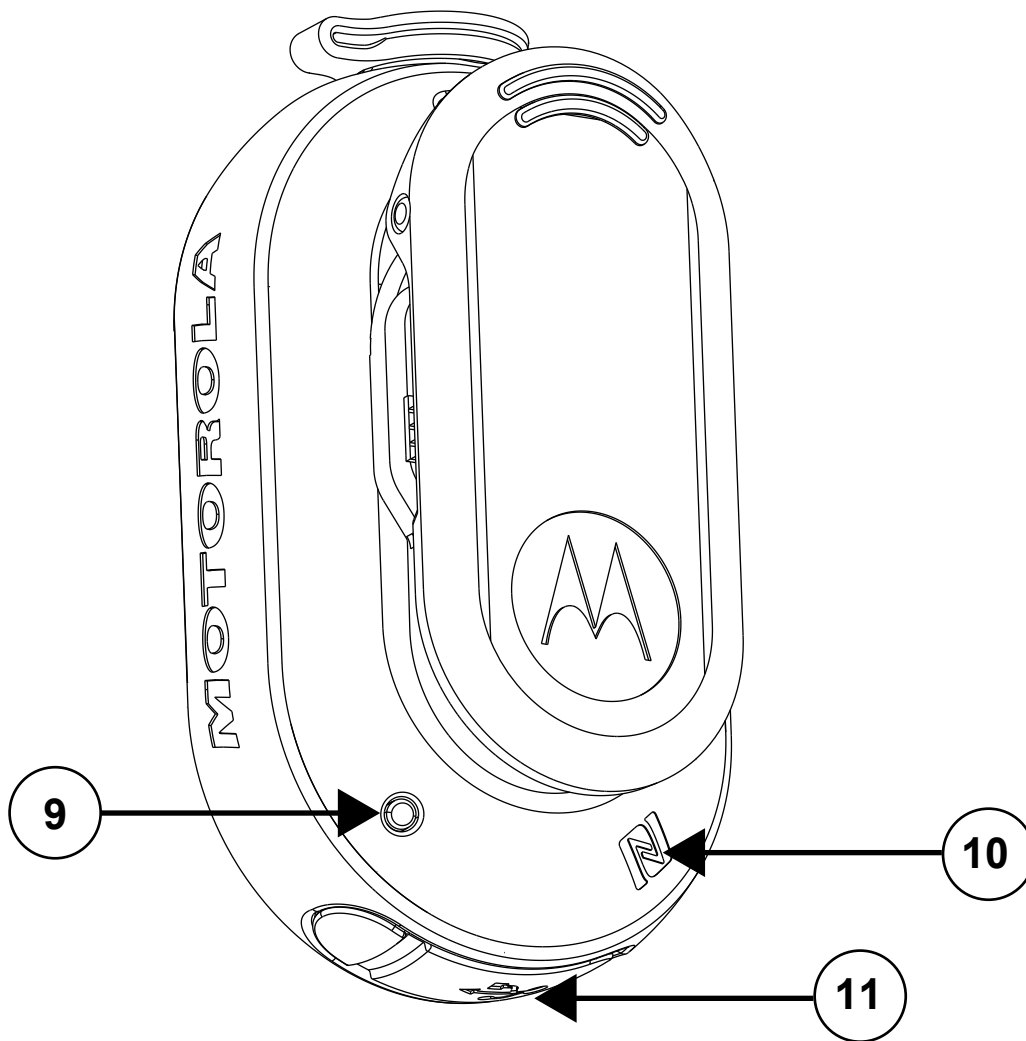
En caso de que este equipo cause interferencia nociva en la recepción radial o televisiva, lo que se puede determinar al encender o apagar el equipo, se recomienda intentar solucionar tal interferencia a través de una o varias de las medidas que se presentan a continuación:

- Cambie la orientación o la ubicación de la antena receptora.
- Aumente la distancia entre el equipo y el receptor.
- Conecte el equipo a un tomacorriente que esté en un circuito distinto del circuito al que se encuentra conectado el receptor.
- Comuníquese con el distribuidor o con un técnico capacitado en radio o televisión para obtener ayuda.

Capítulo 1


Descripción general del POD





Mesa 1 : Descripción general del POD

Etiqueta	Descripción
1	Conector de audio
2	Botón de llamada/botón multifunción (MFB)
3	Botón PTT
4	Botón de emergencia
5	Bajar volumen
6	Subir volumen
7	Botón de encendido
8	Indicador de audio/Bluetooth
9	Indicador de alimentación/batería
10	Ubicación NFC
11	Puerto del cargador

Etiqueta	Descripción
 NOTA: El botón de llamada/MFB y los botones de volumen no se aplican cuando funciona como un dispositivo PTT independiente.	

1.1

Compatibilidad e incompatibilidad del radio/dispositivo

Lista de los radios o dispositivos compatibles con PMLN8298:

Compatibilidad del radio/dispositivo

- Evolve y BYOD (Android o iOS) con aplicación Kodiak versión 10.0.x y posteriores
- SLN1000
- Serie TLK 100, TLK150
- LEX L11



NOTA:

Los modelos TLK100, TLK150, y SLN1000 admiten WP300 solo con auriculares PMLN8190, PMLN8077 o PMLN8125. (No se admiten auriculares Bluetooth o con cable separados conectados al dispositivo TLK).

Mesa 2 : Piezas y accesorios compatibles

Número de pieza	Descripción
PMLN8077A ¹	Auricular PTT en línea con cable estándar
PMLN8125A ¹	Auricular PTT en línea con cable corto
PMLN8190A ¹	Auricular de tubo transparente mejorado de un cable, pin único de 2,5 mm, perfil recto
PMLN6246A	Clip giratorio para POD inalámbrico Push-to-Talk
PMLN8332A ¹	Funda de montaje fija WP300



NOTA:

- Estos accesorios se pueden emparejar con un dispositivo Kodiak Broadband PTT compatible. Para activar la funcionalidad del botón de emergencia, asegúrese de que la función de emergencia esté activada en Kodiak. Consulte la Guía del usuario de Kodiak para obtener las instrucciones de configuración.
- Nombre del dispositivo Bluetooth: WP300_xxxx. La cadena de caracteres “WP300_xxxx” es el nombre del dispositivo Bluetooth. “xxxx” son los últimos cuatro dígitos de la dirección de Bluetooth.
- La dirección MAC se encuentra en la parte superior de la caja individual y dentro del código QR que se encuentra detrás del clip para cinturón. Las etiquetas de dirección MAC adicionales se encuentran en la caja individual.
- Para admitir nuevos dispositivos/radios y funcionalidades, actualice el firmware WP300 a la versión más reciente.

¹ Estos accesorios se compran por separado.

Incompatibilidad del radio/dispositivo

- Pixel 4 Android 10

Capítulo 2

Guía de introducción

Familiarícese con la información básica sobre cómo utilizar el POD de control remoto.

2.1

Carga del POD

Requisitos:

Apague el POD antes de la carga.

Procedimiento:

- 1 Conecte el cable de carga USB al POD para cargarlo.
- 2 Enchufe el cable de carga a la fuente de alimentación USB.

Mesa 3 : Indicador de carga

Indicación de alimentación	Descripción
Rojo intermitente rápido	Error de carga
Rojo fijo	Cargando
Verde intermitente	Casi totalmente cargada
Verde fijo	La batería está completamente cargada

2.1.1

Indicación de batería

Cuando el POD no se esté cargando, consulte la siguiente tabla para comprender la indicación.

Mesa 4 : Indicación de batería

Indicación de alimentación	Descripción
Desactivado	El nivel de batería es medio o alto.
Rojo intermitente	El nivel de la batería está bajo.

2.1.2


Indicación de estado

Consulte la siguiente tabla para comprender la indicación de estado de audio y Bluetooth.

Mesa 5 : Estado de audio y Bluetooth

Indicación de audio/Bluetooth	Descripción
Azul intermitente	Ingresar emparejamiento
Azul fijo	Desconectado
Azul intermitente doble (una vez)	Conectado

Indicación de audio/Bluetooth	Descripción
Rojo fijo	Micrófono silenciado
Verde intermitente	Recibiendo una llamada entrante

 **NOTA:**
El micrófono está silenciado y la indicación de llamada entrante no se aplica cuando funciona como un dispositivo PTT independiente.

Mesa 6 : Indicación de estado

Indicador	Indicación	Descripción
Audio/Bluetooth	Azul intermitente doble	Conectado
Alimentación	Verde intermitente doble	El nivel de la batería es alto
	Ámbar intermitente doble	El nivel de la batería es medio

 **NOTA:**
Para determinar el estado detallado del POD, presione brevemente el botón **Encendido**.

Mesa 7 : Indicación de modo de funcionamiento

Indicador	Indicación	Descripción
LED de alimentación y Bluetooth	Ambos LED parpadean en rojo al mismo tiempo.	Error de modo de funcionamiento
	El LED de Bluetooth parpadea en azul dos veces y el LED de alimentación parpadea en verde dos veces al mismo tiempo.	EL POD está entrando o saliendo del modo oscuro

Consulte la sección [Cambio del modo de funcionamiento](#) para conocer la configuración correcta del modo de funcionamiento.

2.1.3

Cargador micro USB

Esta sección contiene información sobre el uso del cargador micro USB.

- El cargador micro USB es un puerto práctico que le permite cargar cómodamente la batería.
- Asegúrese de que el dispositivo esté apagado.
- Enchufe el cable micro USB al puerto de carga micro USB del dispositivo.
- Conecte el cargador USB a un tomacorriente cercana y de fácil acceso.



PRECAUCIÓN:

Sostenga el conector USB al momento de conectarlo y desconectarlo. No tire del cable.
No gire la cubierta para el polvo.

2.2

Conexión de audífonos con micrófono/receptor integrados (auricular)

Procedimiento:

- 1 Para conectar y bloquear el auricular, alinee el símbolo de desbloqueo del conector y empuje este hacia adentro; a continuación, gírelo hasta que el símbolo de bloqueo quede alineado.
- 2 Para desbloquear y desconectar el auricular, gire el conector a fin de alinear el símbolo de desbloqueo con la hendidura de la carcasa frontal y, luego, tire del conector hacia afuera.



NOTA:

Conecte o desconecte el auricular antes de establecer la conexión con el radio o el adaptador.

Si la conexión inalámbrica se desconecta debido a una extracción accidental o intencional, o la conexión del auricular desde o hacia el dispositivo, el LED rojo parpadea rápidamente.

2.3

Emparejamiento o desemparejamiento del POD

Requisitos:

Apague el POD.

Emparejamiento del POD a través de Bluetooth

Para que funcione en modo de audio, que la parte del auricular del dispositivo inalámbrico debe estar conectada a la parte del POD. Para que funcione como un dispositivo PTT independiente, quite el auricular.

Procedimiento:

- 1 Mantenga presionado el botón **Encendido** hasta que el LED azul parpadee.
- 2 En el dispositivo compatible, busque y seleccione **POD** de la lista Bluetooth.

El dispositivo está conectado.



NOTA:

Desempareje siempre el WP300 del host Bluetooth y borre el emparejamiento antes de iniciar un proceso de emparejamiento.

Emparejamiento del POD a través de NFC

Para que funcione en modo de audio, que la parte del auricular del dispositivo inalámbrico debe estar conectada a la parte del POD. Para que funcione como un dispositivo PTT independiente, quite el auricular.

Procedimiento:

- 1 Mantenga presionado el botón **Encendido** hasta que el LED azul parpadee.
- 2 Alinee las ubicaciones de NFC en el POD y en los dispositivos compatibles.
- 3 Compruebe que el dispositivo compatible indique que el emparejamiento se realizó correctamente.

Cuando se empareja un dispositivo PTT independiente con ciertos dispositivos host, aparece el siguiente mensaje: No se pudo conectar a WP300.

Debe comprobar si el botón **PTT** y el botón **Emergencia** funcionan correctamente. Si los botones funcionan, puede ignorar este mensaje. Si los botones no funcionan, debe emparejar manualmente el POD con el dispositivo a través de Bluetooth.

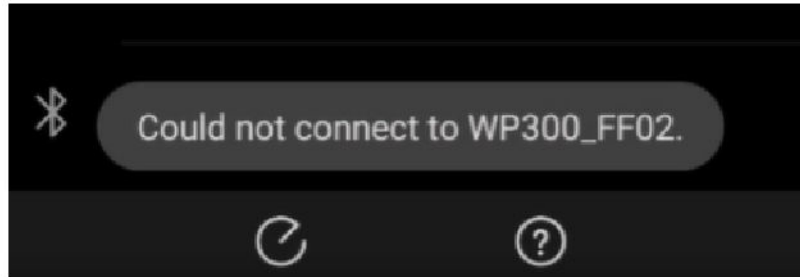


NOTA:

Desempareje siempre el WP300 del host Bluetooth y borre el emparejamiento antes de iniciar un proceso de emparejamiento.

Ejemplo:

Figura 1 : Mensaje de aviso



Desemparejamiento del POD

Procedimiento:

- 1 Elimine el POD de la lista de dispositivos emparejados en el dispositivo compatible emparejado anterior.
- 2 Mantenga presionados los botones **Encendido** y **PTT** al mismo tiempo.
El POD indica que el dispositivo emparejado “se borró”.

2.4

Cambio del modo de funcionamiento

Para que funcione en modo de audio, que la parte del auricular del dispositivo inalámbrico debe estar conectada a la parte del POD. Para que funcione como un dispositivo PTT independiente, quite el auricular.

Requisitos:

Apague el POD.

Procedimiento:

- 1 Elimine el POD de la lista de dispositivos emparejados en el dispositivo compatible, si se ha emparejado antes.
- 2 Mantenga presionados los botones **Encendido** y **PTT** al mismo tiempo hasta que el LED azul parpadee.
- 3 Empareje el POD del dispositivo compatible.

2.5

Ingreso o salida del modo oscuro

El modo oscuro le permite desactivar los LED del dispositivo inalámbrico.

Requisitos:

Encienda el dispositivo.

Procedimiento:

Para activar o desactivar el modo oscuro del dispositivo, presione simultáneamente los botones de **encendido** y **MFB** hasta que el LED azul y el verde parpadeen dos veces.

El POD reproduce un tono o un aviso de voz para alertar al usuario de que los LED están apagados.

El dispositivo inalámbrico no muestra la indicación LED de las siguientes funciones cuando se presiona el botón **Encendido**:

- Vínculo perdido
- Batería baja
- Error de modo de funcionamiento
- Indicación de estado

2.6

Emparejamiento de los clips

Procedimiento:

- 1 Coloque el clip en forma horizontal en el área de deslizamiento del clip.



- 2 Deslice el clip hacia arriba, hasta que escuche un clic.



A continuación, se muestra la imagen después de la instalación.



2.7

Desmontaje del clip

Procedimiento:

- 1 Gire el clip en 90 °C (derecha/izquierda).



- 2 Levante el resorte de metal y deslice el clip hacia fuera de la cubierta posterior.



- 3 Cuando levante el resorte de metal, extraiga el clip de la cubierta posterior con el pulgar.





Pod do controle remoto sem fio para operações críticas, Manual do usuário do WP300 PMLN8298

MAIO 2022

© 2022 Motorola Solutions, Inc. All rights reserved



MN007883A01-AE

Índice

Introdução ao aplicativo Accessory Manager.....	3
Segurança e legislação.....	4
Marcas de certificação.....	4
Propriedade intelectual e avisos regulatórios.....	4
Segurança do produto e conformidade de exposição de RF.....	5
Segurança acústica.....	5
Informações importantes.....	5
Serviço e garantia.....	7
Exclusão de Garantia.....	7
Aviso aos usuários (FCC e Industry Canada).....	8
Declaração de conformidade do fornecedor.....	9
Capítulo 1 : Visão geral do Pod.....	10
1.1 Compatibilidade e incompatibilidade do rádio/dispositivo.....	12
Capítulo 2 : Introdução.....	14
2.1 Carregando o Pod.....	14
2.1.1 Indicador de Bateria.....	14
2.1.2 Indicação de status.....	14
2.1.3 Carregador micro USB.....	15
2.2 Conectar microfone/fone de ouvido receptor integrado.....	16
2.3 Emparelhamento ou desemparelhamento do POD.....	16
Emparelhar o POD por Bluetooth.....	16
Emparelhar o POD por meio de NFC.....	16
Desemparelhar o POD.....	17
2.4 Alternando o modo de operação.....	17
2.5 Entrar ou sair do modo Escuro.....	17
2.6 Montagem dos prendedores.....	18
2.7 Desmontagem do prendedor.....	19

Introdução ao aplicativo Accessory Manager

Baixe e instale o aplicativo Accessory Manager para futuras atualizações de software e novas versões de recursos.

É recomendável instalar o Gerenciador de acessórios para atualizar o firmware de acessórios para a versão mais recente pela primeira vez antes do uso.



Segurança e legislação

Esta seção fornece informações sobre segurança e legislação para este produto.

Learning Experience Portal (LXP) Manual do Usuário e documentação relacionada disponíveis em:
<https://learning.motorolasolutions.com/>

(Para maiores informações sobre medidas da Taxa de Absorção Específica (SAR) e conformidade, consulte o Manual do Usuário através do endereço eletrônico acima) Consulte também o site da Anatel para informações adicionais: www.anatel.gov.br

Marcas de certificação



ID DO CMIIT: 2021DP17747

摩托罗拉系统 (中国) 有限公司

Propriedade intelectual e avisos regulatórios

Direitos autorais

Os produtos da Motorola Solutions descritos neste documento podem incluir programas de computador da Motorola Solutions protegidos por direitos autorais. As leis dos Estados Unidos e de outros países garantem determinados direitos exclusivos da Motorola Solutions para programas de computador protegidos por direitos autorais. Consequentemente, nenhum programa de computador protegido por direitos autorais da Motorola Solutions contido nos produtos da Motorola Solutions descritos neste documento pode ser copiado ou reproduzido sob qualquer forma sem a permissão expressa por escrito da Motorola Solutions.

Nenhuma parte deste documento pode ser reproduzida, transmitida, armazenada em um sistema de recuperação ou traduzida para qualquer idioma ou linguagem de computador, de forma alguma ou por qualquer meio, sem a prévia permissão por escrito da Motorola Solutions, Inc.

Marcas registradas

MOTOROLA, MOTO, MOTOROLA SOLUTIONS e o logotipo "M" estilizado são marcas comerciais ou registradas da Motorola Trademark Holdings, LLC, e são utilizadas sob licença. Todas as demais marcas comerciais pertencem aos seus respectivos proprietários.

Direitos de licença

Não se deve supor que a aquisição de produtos da Motorola Solutions garanta, direta ou implicitamente, por impedimento ou qualquer outra forma, qualquer licença de direito autoral, patente ou aplicação de patente da Motorola Solutions, exceto a licença de uso regular não exclusiva, isenta de exploração de patente concedida pelas leis inerentes à venda de um produto.

Conteúdo de código aberto

Este produto pode conter software de código aberto usado sob licença. Consulte a mídia de instalação do produto para obter o conteúdo completo sobre atribuição e avisos legais de código aberto.

Diretiva de resíduos de equipamentos elétricos e eletrônicos (WEEE) da União Europeia e Reino Unido



A diretiva de WEEE da União Europeia e a regulamentação WEEE do Reino Unido exigem que os produtos vendidos nos países da União Europeia e Reino Unido tenham a etiqueta de lixeira cruzada no produto (ou na embalagem, em alguns casos). Conforme definido pela Diretiva de WEEE, essa etiqueta de lixeira cruzada indica que os clientes e os usuários finais nos países da União Europeia e Reino Unido não devem descartar equipamentos ou acessórios elétricos ou eletrônicos em lixo doméstico.

Os clientes ou os usuários dos países da União Europeia e Reino Unido devem entrar em contato com o representante do fornecedor do equipamento ou com o centro de assistência local para obter informações sobre o sistema de coleta de lixo em seu país.

Isenção de responsabilidade

Observe que alguns recursos e capacidades descritos neste documento podem não ser aplicáveis ou licenciados para uso em um sistema específico ou podem ser dependentes das características de uma determinada unidade de rádio móvel ou configuração de determinados parâmetros. Consulte seu contato da Motorola Solutions para obter mais informações.

© 2022 Motorola Solutions, Inc. Todos os direitos reservados

Segurança do produto e conformidade de exposição de RF

ATENÇÃO:

Antes de usar este produto, leia o Guia de exposição à energia de RF e segurança do produto fornecido com o rádio contendo instruções para uso seguro e conscientização e controle sobre a energia de RF, para conformidade com os padrões e regulamentos aplicáveis.

Segurança acústica

A exposição a ruídos muito altos de qualquer origem por longos períodos pode prejudicar sua audição temporária ou permanentemente. Quanto mais alto for o volume do rádio, mais rapidamente sua audição poderá ser prejudicada. Às vezes, os danos auditivos causados por ruídos fortes não são detectados em sua fase inicial e podem ter efeito cumulativo. Para proteger sua audição:

- Use o volume mais baixo necessário para a execução da sua tarefa.
- Aumente o volume somente se estiver em ambientes barulhentos.
- Reduza o volume antes de conectar o fone de ouvido.
- Limite o tempo de uso dos headsets ou fones de ouvido com volume alto.
- Ao usar o rádio sem headset ou fone de ouvido, não coloque o alto-falante do rádio diretamente em contato com seus ouvidos.
- Se você sentir algum desconforto auditivo, zumbidos ou sons abafados, pare de ouvir o rádio através do headset ou fone de ouvido e consulte um médico. Para alterar o nível de volume, consulte o Folheto de segurança do produto de rádio ou o CPS (Customer Programming Software, Software de Programação do Cliente) para Configurações do kit de vigilância mais alto (xL).

Informações importantes

- Não carregue seu acessório em temperaturas abaixo de 0 °C (32 °F) ou acima de 45 °C (113 °F).
- Não armazene o acessório sob luz solar direta ou em locais nos quais as temperaturas esperadas possam exceder essa faixa, como o interior de um carro estacionado.

- Manter seu acessório totalmente carregado em condições de alta temperatura pode reduzir permanentemente a vida útil da bateria interna.
- A vida útil da bateria pode ser reduzida temporariamente em condições de baixa temperatura.
- O pod de controle remoto deve ser armazenado a uma temperatura entre -10 °C (14 °F) e 30 °C (86 °F) para minimizar a perda permanente de capacidade da bateria.



AVISO:

- Para evitar ferimentos, não desmonte, perfure ou esmague o pod, pois isto pode causar um curto-circuito na bateria.
- Não exponha ou jogue o pod no calor ou fogo.
- Não descarte o pod no lixo doméstico.
- Não derrame água na entrada de áudio e na porta de carregamento USB. Caso entre água na entrada de áudio e/ou porta de carregamento USB, remova-a chacoalhando o pod. Sempre cubra a entrada de áudio e porta de carregamento USB com um protetor contra poeira quando não estiver em uso.

Serviço e garantia

Além do clipe, o Pod não pode ser consertado. O Pod está coberto pela garantia limitada padrão de um ano da Motorola Solutions.

Exclusão de Garantia

A Motorola Solutions não garante a instalação, manutenção ou serviço do produto, acessórios, baterias ou peças.

A Motorola Solutions não é responsável por quaisquer problemas ou danos causados por quaisquer equipamentos auxiliares ou periféricos (exemplos específicos incluem, mas não se limitam a: baterias, carregadores, adaptadores e fontes de alimentação) não fabricados ou fornecidos pela Motorola Solutions, que são conectados ou usados com o produto. Quando o Produto é usado com equipamentos auxiliares ou periféricos não fornecidos pela Motorola Solutions, a Motorola Solutions não garante a operação da combinação de Produto/periférico. A Motorola Solutions não honrará qualquer reivindicação de garantia em que o Produto seja usado em uma combinação e será determinado pela Motorola Solutions que não há nenhuma falha no Produto. Ao abrir ou desmontar o Produto, a garantia é imediatamente anulada. A Motorola Solutions se isenta especificamente de qualquer responsabilidade por qualquer dano causado por instalação inadequada por pessoas não autorizadas.

Aviso aos usuários (FCC e Industry Canada)

Este dispositivo está em conformidade com a Parte 15 das Normas da FCC e com a RSS (Radio Standards Specification, especificação de padrões de rádios) isentas de licença da Industry Canada, de acordo com as seguintes condições:

- Este dispositivo não pode causar interferências prejudiciais à saúde.
- Este dispositivo deve aceitar qualquer interferência, inclusive as que possam causar operação indesejável do dispositivo.
- Alterações ou modificações feitas neste dispositivo que não sejam expressamente aprovadas pela Motorola Solutions poderão anular o direito do usuário de operar o equipamento.

Declaração de conformidade do fornecedor

Declaração de conformidade do fornecedor

De acordo com a CFR 47 Parte 2 Seção 2.1077(a) da FCC



Parte responsável

Nome: Motorola Solutions, Inc.

Endereço: 2000 Progress Pkwy, Schaumburg, IL. 60196

Telefone: 1-800-927-2744

Declara que o produto:

Nome do modelo: **WP300**

está em conformidade com as seguintes normas:

Parte 15, subparte B, seção 15.107(a), 15.107(d) e seção 15.109(a) da FCC

Dispositivo digital de Classe B

Como periférico de computador pessoal, este dispositivo está em conformidade com a Parte 15 das Normas da FCC. A operação está sujeita às duas condições a seguir:

- 1 Este dispositivo não pode causar interferências prejudiciais e
- 2 Este dispositivo deve aceitar qualquer interferência, inclusive as que possam causar operação indesejável do dispositivo.



OBSERVAÇÃO:

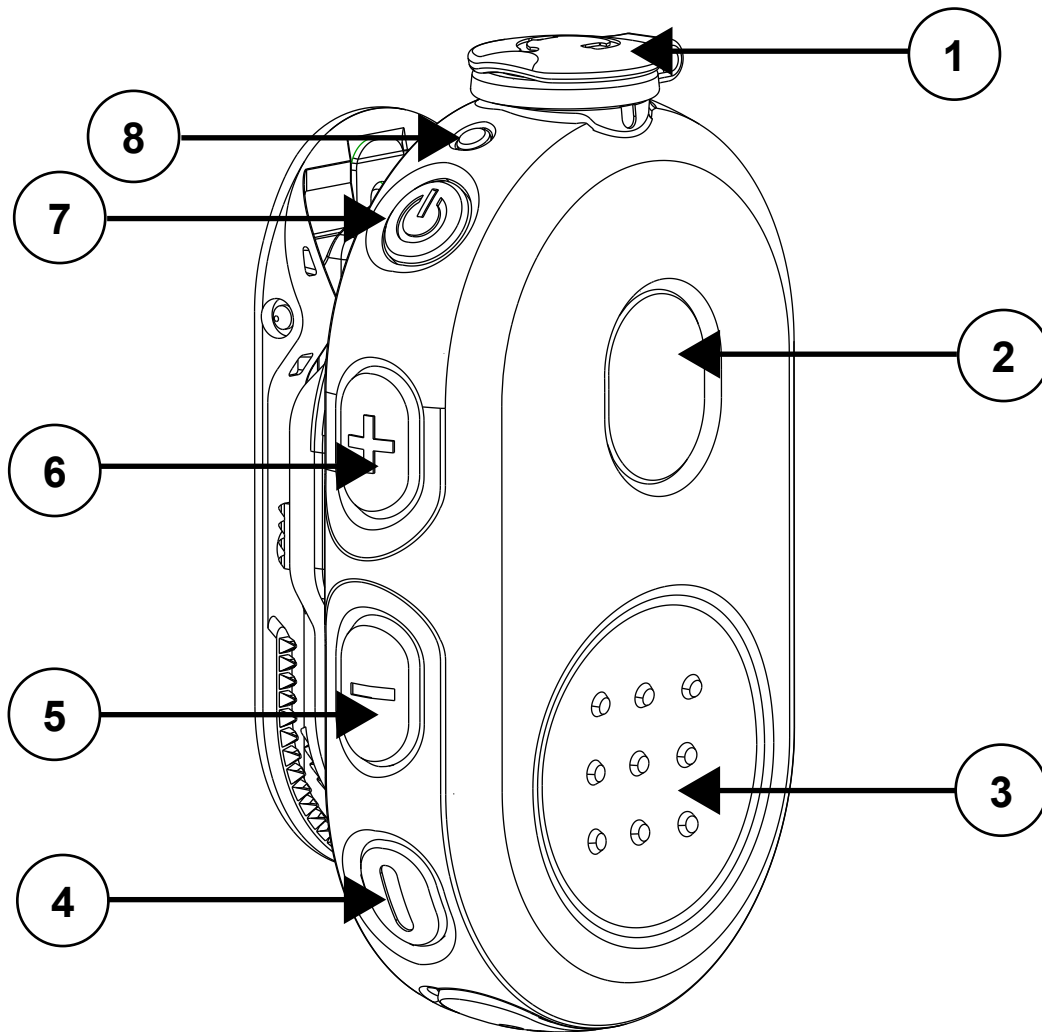
este equipamento foi testado e considerado em conformidade com os limites para um dispositivo digital de Classe B, nos termos da parte 15 das Normas da FCC (Federal Communications Commission, Comissão Federal de Comunicações). Esses limites foram elaborados para fornecer uma proteção aceitável contra interferências prejudiciais em uma instalação residencial. Este equipamento gera, utiliza e pode irradiar energia de radiofrequência e, caso não seja instalado e usado de acordo com as instruções, poderá causar interferência prejudicial às comunicações de rádio. Entretanto, não há garantia de que não ocorrerão interferências em uma instalação específica.

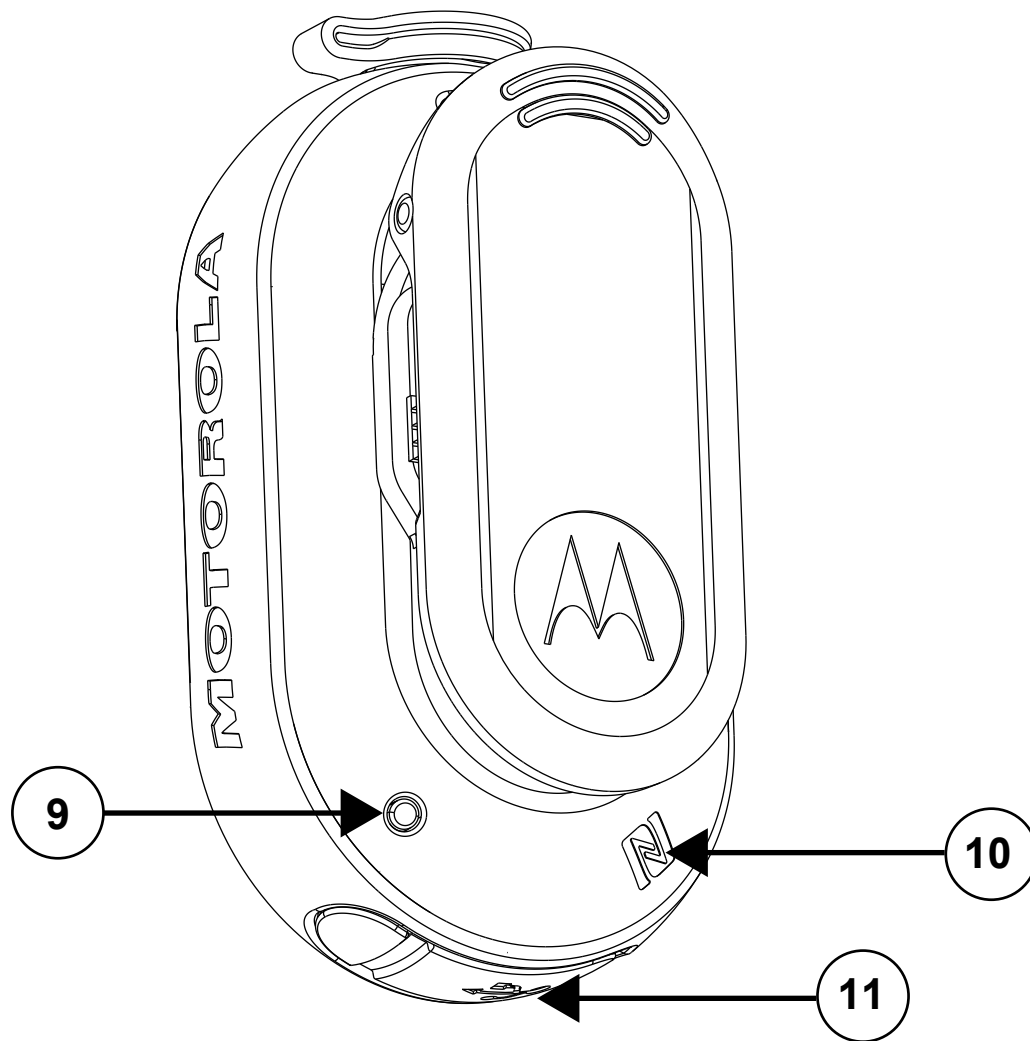
Se este equipamento provocar interferência prejudicial à recepção de rádio ou televisão, o que pode ser determinado ao ligar e desligar o equipamento, o usuário deverá tentar corrigir a interferência seguindo um ou mais dos procedimentos abaixo:

- Reorientar ou reposicionar a antena receptora.
- Aumentar a distância entre o equipamento e o receptor.
- Conectar o equipamento a uma tomada de um circuito diferente daquele ao qual o receptor está conectado.
- Consultar um revendedor ou um técnico de rádio ou TV experiente para obter ajuda.

Capítulo 1


Visão geral do Pod





Acima 1 : Visão geral e descrição do Pod

Rótulo	Descrição
1	Entrada de Áudio
2	Botão de chamada/botão multifuncional (MFB)
3	Botão PTT
4	Botão de emergência
5	Diminuir volume
6	Aumentar volume
7	Botão Liga/Desliga
8	Indicador de áudio/Bluetooth
9	Indicador de energia/bateria
10	Localização por NFC
11	Porta de carregamento

Rótulo	Descrição
	OBSERVAÇÃO: O botão de chamada/MFB e os botões de volume não são aplicáveis quando funcionam como um dispositivo PTT independente.

1.1

Compatibilidade e incompatibilidade do rádio/dispositivo

Lista de rádios ou dispositivos que são compatíveis com o PMLN8298:

Compatibilidade do rádio/dispositivo

- Evolve e BYOD (Android ou iOS) com aplicativo Kodiak versão 10.0.x e posterior
- SLN1000
- Série TLK 100, TLK150
- LEX L11



OBSERVAÇÃO:

TLK100, TLK150 e SLN1000 suportam WP300 somente com fone de ouvido PMLN8190, PMLN8077 ou PMLN8125. (Bluetooth separado ou fone de ouvido com fio conectado ao dispositivo TLK não são suportados.)

Acima 2 : Peças e acessórios compatíveis

Número da peça	Descrição
PMLN8077A ¹	Fone de ouvido PTT em linha com cabo padrão
PMLN8125A ¹	Fone de ouvido PTT em linha com cabo curto
PMLN8190A ¹	Fone de ouvido com tubo transparente aprimorado de um fio, de pino único de 2,5 mm, reto
PMLN6246A	Clipe giratório para PODs Push-to-Talk sem fio
PMLN8332A ¹	Estojo com montagem fixa WP300



OBSERVAÇÃO:

- Esses acessórios podem ser emparelhados com um dispositivo habilitado para Banda larga Kodiak PTT. Para ativar a funcionalidade do botão de emergência, certifique-se de que esta função esteja ativada no Kodiak. Consulte o Guia do usuário do Kodiak para obter instruções de configuração.
- Nome do dispositivo Bluetooth: WP300_xxxx. A sequência de caracteres "WP300_xxxx" é o nome do dispositivo Bluetooth. "xxxx" corresponde aos últimos 4 dígitos do endereço Bluetooth.
- O endereço MAC está localizado na parte superior da caixa individual e no código QR, atrás do clipe para cinto. As etiquetas de endereço MAC adicionais são fornecidas na caixa individualmente.
- Para oferecer suporte a novos dispositivos/rádios e funcionalidades, atualize o firmware do WP300 para a versão mais recente.

¹ Esses acessórios são adquiridos separadamente.

Incompatibilidade do rádio/dispositivo

- Pixel 4 Android 10

Capítulo 2

Introdução

Familiarize-se com as informações básicas sobre como usar o Pod do controle remoto.

2.1

Carregando o Pod

Pré-requisitos:

Desligue o Pod antes de carregar.

Procedimento:

- 1 Conecte o cabo de carregamento USB ao Pod para carregá-lo.
- 2 Conecte o cabo de carregamento à fonte de alimentação USB.

Acima 3 : Indicador de carregamento

Indicador de Energia	Descrição
Piscando em vermelho rapidamente	Erro no carregamento
Vermelho constante	Carregando
Verde piscando	Quase totalmente carregado
Verde sólido	A bateria está totalmente carregada

2.1.1

Indicador de Bateria

Quando seu Pod não estiver carregando, consulte a tabela a seguir para entender a indicação.

Acima 4 : Indicador de Bateria

Indicador de Energia	Descrição
Desligado	A carga da bateria está na metade ou cheia.
Vermelho piscando	Nível da bateria baixo.

2.1.2

Indicação de status

Leia a tabela a seguir para entender a indicação de status de áudio e Bluetooth.

Acima 5 : Status de áudio e Bluetooth

Indicação de áudio/Bluetooth	Descrição
Piscando em azul	Inicie o emparelhamento
Azul sólido	Desconectado
Piscando duas vezes em azul (por uma vez)	Conectado

Indicação de áudio/Bluetooth	Descrição
Vermelho constante	Microfone silenciado
Piscando em verde	Recebendo chamada



OBSERVAÇÃO:

O microfone está silenciado e a indicação de chamada recebida não é aplicável quando funciona como um dispositivo PTT independente.

Acima 6 : Indicação de status

Bluetooth	Indicação	Descrição
Áudio/Bluetooth	Piscando duas vezes em azul	Conectado
Liga/Desliga	Piscando duas vezes em verde	Nível da bateria elevado
	Âmbar piscando duas vezes	Nível da bateria médio



OBSERVAÇÃO:

Para determinar o status dos detalhes do Pod, faça um pressionamento curto no botão **Liga/Desliga**.

Acima 7 : Indicação do modo de operação

Bluetooth	Indicação	Descrição
Bluetooth e LED de energia	Ambos os LEDs piscam em vermelho simultaneamente.	Erro no modo de operação
	O LED do Bluetooth pisca em azul duas vezes e o LED de energia pisca em verde duas vezes ao mesmo tempo.	O POD está entrando ou saindo do modo Escuro

Consulte [Alterar o Modo de operação](#) para obter a configuração adequada do modo de operação.

2.1.3

Carregador micro USB

Esta seção fornece informações sobre como usar o carregador MicroUSB.

- O carregador microUSB é uma porta prática que possibilita carregar a bateria de modo conveniente.
- Certifique-se de que seu dispositivo esteja desligado.
- Conecte o cabo microUSB à porta de carregamento microUSB do dispositivo.
- Conecte o carregador USB a uma tomada de parede próxima e de fácil acesso.



ATENÇÃO:

Segure o conector USB ao conectar e desconectar. Não puxe o cabo.

Não torça a tampa protetora de poeira.

2.2

Conectar microfone/fone de ouvido receptor integrado

Procedimento:

- 1 Para conectar e travar o fone de ouvido, alinhe o símbolo de destravar no conector, insira o conector e gire o conector até que o símbolo de travar esteja alinhado.
- 2 Para destravar e desconectar o fone de ouvido, gire o conector para alinhar o símbolo de destravar com o recesso no compartimento frontal e puxe o conector para fora.



OBSERVAÇÃO:

Conecte ou desconecte o fone de ouvido antes de estabelecer a conexão com o rádio ou adaptador.

Se a conexão sem fio for desfeita devido a remoção acidental ou intencional ou conexão do fone de ouvido do ou para o dispositivo, o LED vermelho piscará rapidamente.

2.3

Emparelhamento ou desemparelhamento do POD

Pré-requisitos:

Desative o POD.

Emparelhar o POD por Bluetooth

Para funcionar no modo de áudio, verifique se a parte do fone de ouvido do dispositivo sem fio está conectada à parte do POD. Para funcionar como um dispositivo PTT independente, remova o fone de ouvido.

Procedimento:

- 1 Pressione e mantenha pressionado o botão **Liga/Desliga** até que o LED azul pisque.
- 2 No dispositivo compatível, pesquise e selecione o **POD** na lista de Bluetooth.

O dispositivo está conectado.



OBSERVAÇÃO:

Sempre cancele e limpe o emparelhamento do WP300 do host Bluetooth antes de iniciar um processo de emparelhamento.

Emparelhar o POD por meio de NFC

Para funcionar no modo de áudio, verifique se a parte do fone de ouvido do dispositivo sem fio está conectada à parte do POD. Para funcionar como um dispositivo PTT independente, remova o fone de ouvido.

Procedimento:

- 1 Pressione e mantenha pressionado o botão **Liga/Desliga** até que o LED azul pisque.
- 2 Alinhe os locais de NFC no POD e nos dispositivos compatíveis.
- 3 Verifique no dispositivo compatível se o emparelhamento foi bem-sucedido.

Ao emparelhar um dispositivo PTT autônomo com determinados dispositivos host, a seguinte mensagem de aviso é exibida: Não foi possível conectar ao WP300.

Você deve verificar se o botão **PTT** e o botão de **Emergência** estão funcionando corretamente. Se os botões estiverem funcionando, você poderá ignorar esta mensagem de aviso. Se os

botões não estiverem funcionando, será necessário emparelhar manualmente o POD com o dispositivo por Bluetooth.

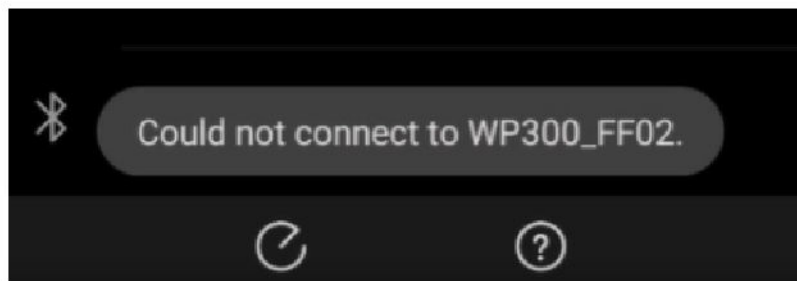


OBSERVAÇÃO:

Sempre cancele e limpe o emparelhamento do WP300 do host Bluetooth antes de iniciar um processo de emparelhamento.

Exemplo:

Figura 1 : Mensagem de aviso



Desemparelhar o POD

Procedimento:

- 1 Remova o POD da lista de dispositivos emparelhados no dispositivo compatível emparelhado anteriormente.
- 2 Mantenha pressionados os botões **Liga/Desliga** e **PTT** simultaneamente.
O POD indica que o dispositivo emparelhado está "Liberado".

2.4

Alternando o modo de operação

Para funcionar no modo de áudio, verifique se a parte do fone de ouvido do dispositivo sem fio está conectada à parte do POD. Para funcionar como um dispositivo PTT independente, remova o fone de ouvido.

Pré-requisitos:

Desative o POD.

Procedimento:

- 1 Remova o POD da lista de dispositivos emparelhados no dispositivo compatível se o POD tiver sido emparelhado antes.
- 2 Mantenha pressionados os botões **Liga/Desliga** e **PTT** simultaneamente até que o LED azul pisque.
- 3 Emparelhe o POD com o dispositivo compatível.

2.5

Entrar ou sair do modo Escuro

O modo Escuro lhe permite desligar os LEDs de um dispositivo sem fio.

Pré-requisitos:

Ligue o dispositivo.

Procedimento:

Ative ou desative o modo Escuro do dispositivo pressionando os botões **Liga/Desliga** e **MFB** simultaneamente até que os LEDs azul e verde pisquem duas vezes.

O POD emite um tom ou comando de voz para alertar você de que os LEDs estão desligados.

O dispositivo sem fio não mostra a indicação de LED para as seguintes funções ao pressionar o botão **Liga/Desliga**:

- Link perdido
- Bateria fraca
- Erro no modo de operação
- Indicação de status

2.6

Montagem dos prendedores

Procedimento:

- 1 Coloque o prendedor horizontalmente na área indicada.



- 2 Deslize o prendedor para cima até ouvir um clique.



Confira a seguir a imagem após a montagem.



2.7

Desmontagem do prendedor

Procedimento:

- 1 Gire o prendedor a 90 °C (sentido horário/anti-horário).



- 2 Levante a mola de metal e deslize o prendedor para fora da capa traseira.



- 3 Ao levantar a mola de metal, deslize o prendedor para fora da capa traseira com o polegar.





关键作业无线远程控制盒 WP300 PMLN8298 用户手 册

5 月 2022 年

© 2022 Motorola Solutions, Inc. All rights reserved



MN007883A01-AE

目录

Accessory Manager 应用程序简介	3
安全和法律	4
认证标记.....	4
知识产权和监管声明.....	4
产品安全和射频辐射合规性.....	5
声音安全.....	5
重要信息.....	5
服务和保修	6
不在保修范围的项目.....	6
用户需知 (FCC 和加拿大工业部)	7
供应商符合声明	8
章节 1 : Pod 概述	9
1.1 对讲机/设备兼容性和非兼容性.....	11
章节 2 : 使用入门	12
2.1 为 Pod 充电.....	12
2.1.1 电池指示.....	12
2.1.2 状态指示.....	12
2.1.3 微型 USB 充电器.....	13
2.2 连接集成式麦克风/接收器耳机 (听筒)	13
2.3 配对或取消配对 POD.....	14
通过蓝牙配对 POD.....	14
通过 NFC 配对 POD.....	14
取消配对 POD.....	15
2.4 切换操作模式.....	15
2.5 进入或退出黑暗模式.....	15
2.6 装配衣夹.....	16
2.7 拆卸衣夹.....	17

Accessory Manager 应用程序简介

下载并安装 Accessory Manager 应用程序，以便此后进行软件升级和新功能发布。

建议您安装 Accessory Manager，以便在首次使用之前将附件固件升级到最新版本。

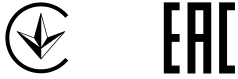


安全和法律

本节提供本产品的安全和法律信息。

Learning Experience Portal (LXP) Manual do Usuário e documentação relacionada disponíveis em:
<https://learning.motorolasolutions.com/>

认证标记



CMIIT ID : 2021DP17747

摩托罗拉系统 (中国) 有限公司

知识产权和监管声明

版权

本文档中介绍的 Motorola Solutions 产品可能包含受版权保护的 Motorola Solutions 计算机程序。美国和其他国家/地区的法律为 Motorola Solutions 保留受版权保护的计算机程序的某些专有权利。因此，在未经 Motorola Solutions 明确书面许可的情况下，不得以任何方式对本文档中介绍的 Motorola Solutions 产品所包含的任何受版权保护的 Motorola Solutions 计算机程序进行拷贝或复制。

在未经 Motorola Solutions, Inc. 事先书面许可的情况下，不得以任何形式或通过任何方式来复制、传播、在检索系统中存储本文档的任何部分，或将其翻译为任何语言或计算机语言。

商标

MOTOROLA、MOTO、MOTOROLA SOLUTIONS 和标志性的 M 徽标是 Motorola Trademark Holdings, LLC 的商标或注册商标，必须获得授权方可使用。所有其他商标均为其各自所有者的财产。

许可权利

购买 Motorola Solutions 的产品不应视为直接或通过暗示、禁止反言或其他方式授予 Motorola Solutions 的版权、专利或专利申请的任何许可，但产品销售过程中因法律实施所引起的普通非专有免版税许可除外。

开源内容

本产品可能包含经许可使用的开源软件。请参阅产品安装介质，了解完整的“开源法律声明和归属”内容。

欧盟 (EU) 和英国 (UK) 废弃电子电气设备 (WEEE) 指令



欧盟的 WEEE 指令和英国的 WEEE 法规要求销售到欧盟国家/地区和英国的产品必须在产品上 (有时是在包装上) 张贴带交叉号的垃圾箱标签。根据 WEEE 指令的定义，此带叉号的带轮垃圾箱标签表示欧盟国家/地区和英国的客户和最终用户不得将此电子电气设备或附件作为生活垃圾处置。

欧盟国家/地区和英国的客户或最终用户应联系当地的设备供应商代表或服务中心，以了解有关所在国家/地区废物收集系统的相关信息。

免责声明

请注意，此文档中介绍的某些特性、设备和功能可能不适用于或未授权给特定系统使用，或者取决于特定移动订阅用户设备的特性或特定参数的配置。请联系 Motorola Solutions 联系人获取详细信息。

© 2022 Motorola Solutions, Inc. 保留所有权利

产品安全和射频辐射合规性

小心:

使用本产品前，请阅读对讲机附带的《射频能量辐射和产品安全指南》，其中包含有关安全使用以及射频能量认识和控制的说明，以便遵守适用的标准和法规。

声音安全

长时间接触任何来源的响亮噪音可能会暂时或永久影响您的听力。对讲机音量越大，对听力的影响产生越快。响亮噪音对听力的损害有时在初期无法检测，并会有累积效果。为了保护您的听力，请遵循以下提示：

- 使用完成任务所需的最低音量。
- 仅在嘈杂环境下才调高音量。
- 先调低音量，然后再佩戴听筒。
- 限制在高音量下使用耳机或听筒的时间。
- 使用不带耳机或听筒的对讲机时，请勿将对讲机的扬声器直接对着耳朵。
- 如果您出现耳朵不适、发生耳鸣或说话口齿不清等症状，则应停止通过耳机或听筒听取对讲机的声音，并请医生检查您的听力。如需更改音量级别，请参阅《对讲机产品安全手册》或客户编程软件 (CPS)，查看“Surveillance Extra Loud (xL) 套件配置”章节内容。

重要信息

- 请不要在低于 0 °C (32 °F) 或高于 45 °C (113 °F) 的温度下为附件充电。
- 请不要将附件储存在阳光直射的区域或温度可能超过此范围的区域，如停靠的车辆内部。
- 将充满电的附件储存在高温条件下可能使内部电池的寿命永久性缩短。
- 在低温条件下电池寿命可能会暂时缩短。
- 远程控制 Pod 应当储存在 -10°C (14°F) 到 30°C (86°F) 之间的温度下，以使电池容量永久损失降至最小。



警告:

- 为防止人员受伤，请勿拆卸、刺穿或挤压 Pod，因为这样做可能导致电池短路。
- 切勿炙烤或焚烧 Pod。
- 切勿将 Pod 与生活垃圾一起处置。
- 切勿让音频插孔和 USB 充电端口进水。如果有水进入音频插孔和/或 USB 充电端口中，请通过甩动 Pod 甩出这些水。在不使用时，始终使用防尘盖盖住音频插孔和 USB 充电端口。

服务和保修

除了旋转皮带夹之外，Pod 不可维修。此 Pod 享有为期一年的 Motorola Solutions 标准有限保修。

不在保修范围的项目

Motorola Solutions 对产品、附件、电池或部件的安装、维护或维修不保修。

由连接到产品或与产品搭配使用的任何非 Motorola Solutions 提供或制造的辅助设备或外围设备（具体示例包括但不限于电池、充电器、适配器和电源）所造成的问题或损害，Motorola Solutions 不以任何方式承担责任。在将产品与非 Motorola Solutions 提供的辅助设备或外围设备搭配使用时，Motorola Solutions 不保证产品/外围设备组合能够正常工作。在这种情况下使用产品后，Motorola Solutions 将不予受理对产品提出的任何保修索赔，并且 Motorola Solutions 认定产品没有故障。一旦打开或拆开产品，保修将立即失效。对于未经授权人员进行的不当安装而造成的任何损害，Motorola Solutions 明确拒绝承担任何责任。

用户需知 (FCC 和加拿大工业部)

按下列条件，此设备符合 FCC 规则第 15 部分和加拿大工业部的许可豁免 RSS 标准：

- 本设备不会产生有害干扰。
- 本设备必须能承受任何外部干扰，包括可能导致意外操作的干扰。
- 未经 Motorola Solutions 明确批准而擅自对本设备作出任何更改或修改，可能导致用户无权操作本设备。

供应商符合声明

供应商符合声明

根据 FCC CFR 47 第 2 部分第 2.1077(a) 章



责任方

名称：Motorola Solutions, Inc.

地址：2000 Progress Pkwy, Schaumburg, IL.60196

电话号码：1-800-927-2744

此处郑重声明该产品：

型号名称：**WP300**

符合以下法规：

FCC 第 15 部分，子部分 B，第 15.107(a)、15.107(d) 和 15.109(a) 章

B 级数字设备

作为个人计算机外围设备，该设备符合 FCC 规则的第 15 部分。本设备的操作满足以下两个条件：

- 1 本设备不会产生有害干扰，并且
- 2 本设备必须能承受任何外部干扰，包括可能导致意外操作的干扰。



注释：

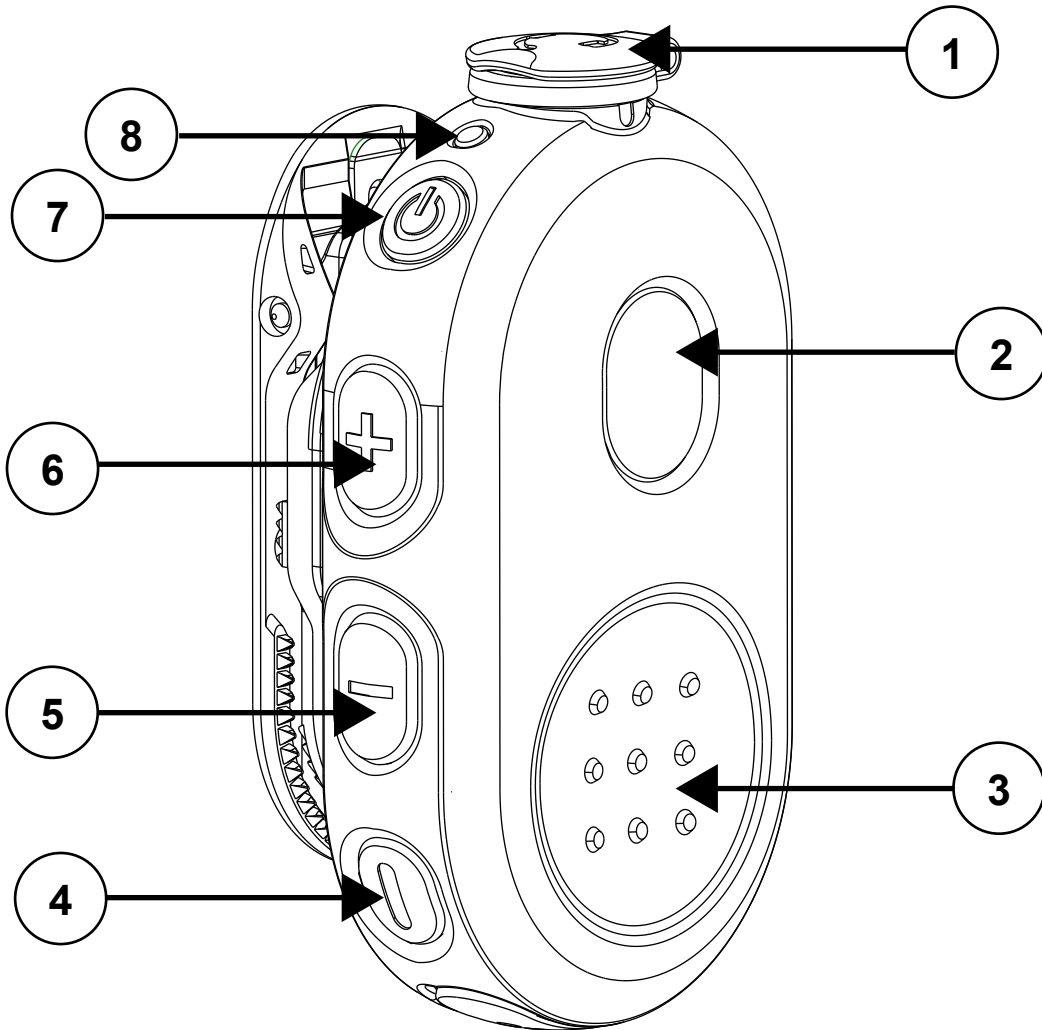
本设备已通过测试，证明符合 FCC 规则第 15 部分关于 B 级数字设备的限制规定。这些限制的制定是为了提供合理保护，以防止此设备在居住区安装时产生有害干扰。本设备会产生、使用和发射无线电频率能量，而如果未遵照此说明进行安装和使用，则可能导致对无线电通讯产生有害干扰。但是，并不保证进行特定安装时不产生干扰。

如果本设备确实对无线电或电视机接收信号造成有害干扰（可以通过关闭和打开本设备来判断），我们鼓励用户通过采取以下一种或多种措施来消除干扰：

- 调整接收天线的方向或位置。
- 增加本设备和接收设备之间的间距。
- 将本设备连接到另一个输出插座上，使本设备和接收设备位于不同的电路中。
- 咨询经销商或有经验的无线电或电视技术人员，以寻求帮助。

章节 1

Pod 概述



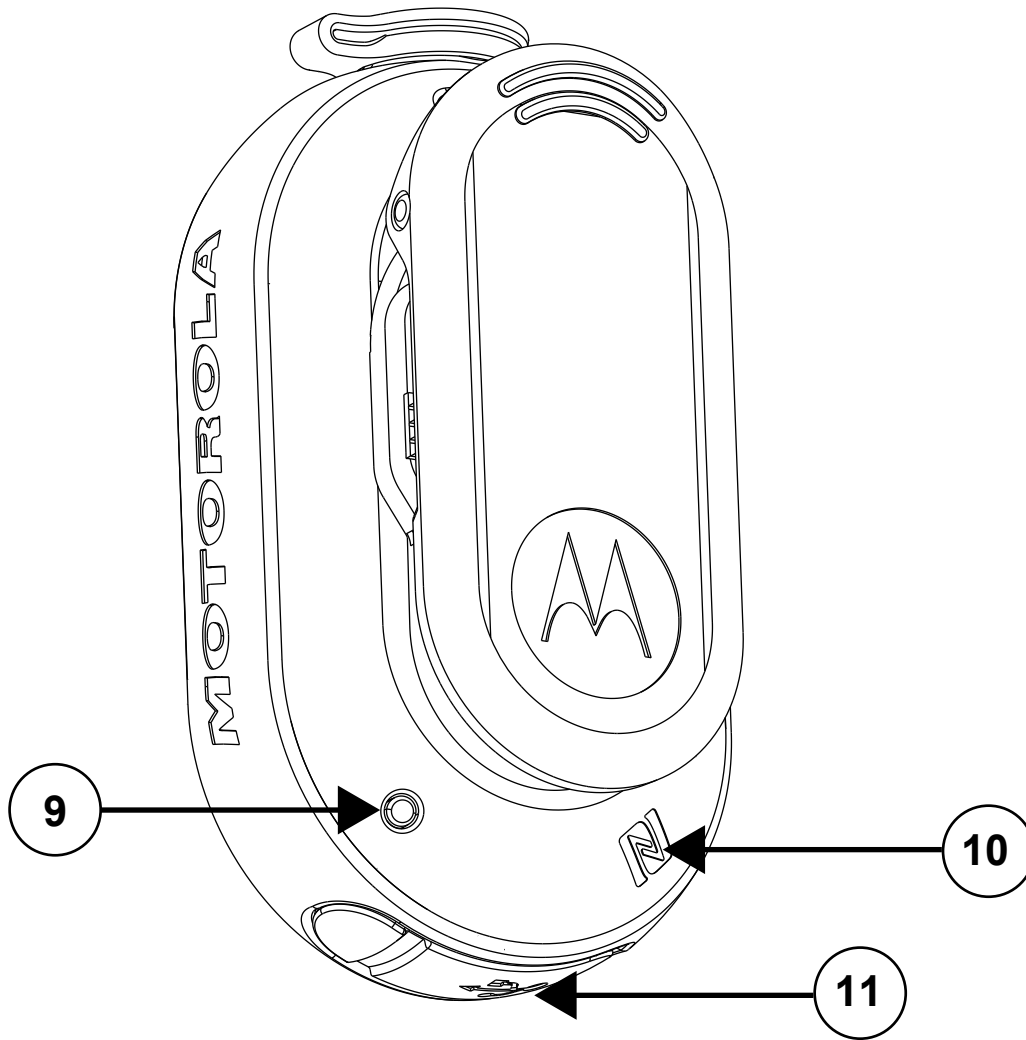



表 1：Pod 概述和说明

标签	说明
1	音频插孔
2	呼叫按钮/多功能按钮 (MFB)
3	PTT 按钮
4	紧急呼叫按钮
5	音量调低
6	音量调高
7	电源按钮
8	音频/蓝牙指示灯
9	电源/电池指示灯
10	NFC 位置
11	充电端口

标签	说明
	注释: 当作为独立的 PTT 设备工作时，呼叫按钮/MFB 和音量按钮不适用。

1.1

对讲机/设备兼容性和非兼容性

与 PMLN8298 兼容的对讲机或设备列表：

对讲机/设备兼容性

- 装有 Kodiak 应用程序 10.0.x 版及更高版本的 Evolve 和自带设备 (Android 或 iOS)
- SLN1000
- TLK 100 系列，TLK150
- LEX L11



 **注释:** TLK100、TLK150 和 SLN1000 仅支持使用 PMLN8190、PMLN8077 或 PMLN8125 听筒耳机的 WP300。(不支持单独的连接至 TLK 设备的蓝牙或有线听筒耳机。)

表 2：兼容部件和附件

部件号	说明
PMLN8077A ¹	线控 PTT 听筒耳机 (标准线)
PMLN8125A ¹	线控 PTT 听筒耳机 (短线)
PMLN8190A ¹	单线增强型透明传声管听筒耳机，2.5 毫米单针，直线式
PMLN6246A	适用于无线通话按键 POD 的旋转皮带夹
PMLN8332A ¹	WP300 固定式安装支架皮套

-  **注释:**
- 这些附件可与启用了 Kodiak 宽带 PTT 功能的设备配对。要启用紧急呼叫按钮功能，请确保在 Kodiak 上启用了紧急呼叫功能。有关设置说明，请参阅《Kodiak 用户指南》。
 - 蓝牙设备名称：WP300_xxxx。“WP300_xxxx”字符串是蓝牙设备名称。“xxxx”是蓝牙地址的最后 4 位数字。
 - MAC 地址位于每个包装盒的顶部和皮带夹后面的二维码中。每个包装盒内还提供额外的 MAC 地址标签。
 - 要支持新的设备/对讲机和功能，请将 WP300 固件升级到最新版本。

对讲机/设备非兼容性

- Pixel 4 Android 10

¹ 这些附件需单独购买。

章节 2

使用入门

熟悉有关如何使用远程控制 Pod 的基本信息。

2.1

为 Pod 充电

前提条件：在充电之前先关闭 Pod。

步骤：

- 1 将 USB 充电线缆连接到 Pod 来为 Pod 充电。
- 2 将充电线缆插入 USB 电源。

表 3：充电指示灯

电量指示	说明
呈红色快速闪烁	充电错误
呈红色长亮	正在充电
呈绿色闪烁	几乎充满电
呈绿色长亮	电池已充满电

2.1.1

电池指示

当 Pod 未在充电时，请参阅下表了解指示信息。

表 4：电池指示

电量指示	说明
关	电池电量中等或高。
呈红色闪烁	电池电量低。

2.1.2

状态指示

请参阅下表以了解音频和蓝牙状态指示。

表 5：音频和蓝牙状态

音频/蓝牙指示	说明
呈蓝色闪烁	进入配对过程
呈蓝色长亮	已断开连接
呈蓝色双闪（一次）	已连接

音频/蓝牙指示	说明
呈红色长亮	麦克风已静音
呈绿色闪烁	正在接收呼入呼叫



注释: 当作为独立的 PTT 设备工作时，麦克风会静音，同时呼入呼叫指示不适用。

表 6：状态指示

指示灯	指示	说明
音频/蓝牙	呈蓝色双闪	已连接
功率	呈绿色双闪	电池电量高
	呈琥珀色双闪	电池电量中等



注释: 要确定 Pod 的详细状态，请短按电源按钮。

表 7：操作模式指示

指示灯	指示	说明
蓝牙和电源 LED 指示灯	两个 LED 指示灯同时呈红色闪烁。	操作模式错误
	蓝牙 LED 指示灯呈蓝色闪烁两次，同时电源 LED 指示灯呈绿色闪烁两次。	POD 正在进入或退出黑暗模式

有关正确的操作模式设置，请参阅[切换操作模式](#)。

2.1.3

微型 USB 充电器

本节提供有关使用微型 USB 充电器的信息。

- 微型 USB 充电器是一种非常方便的端口，便于您为电池充电。
- 确保设备已关闭。
- 将微型 USB 线缆插入设备上的微型 USB 充电端口。
- 将 USB 充电器连接到附近插拔方便的墙上电源插座上。



小心:

插入和拔出时握住 USB 连接器。切勿拉扯线缆。
 切勿扭转防尘盖。

2.2

连接集成式麦克风/接收器耳机（听筒）

步骤：

- 1 要连接和锁定听筒，请对准连接器上的解锁符号，然后推入连接器并转动连接器，直至锁定符号对准。

- 2 要解锁并取下听筒，请转动连接器，将解锁符号与前盖上的凹槽对齐，然后拉出连接器。



注释：

在与对讲机或适配器建立连接之前，请连接或断开听筒。

如果意外/有意地从设备上取下听筒，或将耳机连接到设备或从设备拆下时无线连接断开，LED 指示灯将呈红色快速闪烁。

2.3

配对或取消配对 POD

前提条件： 关闭 POD。

通过蓝牙配对 POD

要在音频模式下工作，请确保无线设备的听筒部分已插入到 POD 部分中。要用作独立的 PTT 设备，请取下听筒。

步骤：

- 1 按住**电源按钮**，直至蓝色 LED 指示灯闪烁。
- 2 从兼容的设备中，在蓝牙列表中搜索并选择 **POD**。

设备已连接。



注释： 在开始配对过程之前，始终要先取消 WP300 与蓝牙主机的配对并清除配对信息。

通过 NFC 配对 POD

要在音频模式下工作，请确保无线设备的听筒部分已插入到 POD 部分中。要用作独立的 PTT 设备，请取下听筒。

步骤：

- 1 按住**电源按钮**，直至蓝色 LED 指示灯闪烁。
- 2 将 POD 和兼容设备上的 NFC 位置对齐。
- 3 检查兼容设备上是否有配对成功的指示。

将独立的 PTT 设备与某些主机设备配对时，系统将显示以下提示消息：无法连接到 WP300。

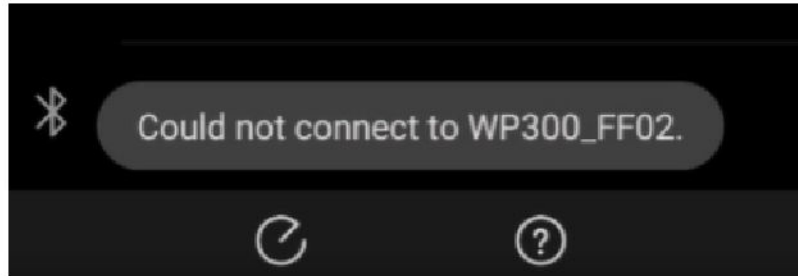
您必须检查 **PTT 按钮**和**紧急呼叫按钮**是否正常工作。如果这些按钮正常工作，您可以忽略此提示消息。如果这些按钮无法正常工作，您需要通过蓝牙手动将 POD 与设备配对。



注释： 在开始配对过程之前，始终要先取消 WP300 与蓝牙主机的配对并清除配对信息。

示例：

图 1：提示消息



取消配对 POD

步骤：

- 1 在之前配对的兼容设备上，将 POD 从已配对设备列表中移除。
- 2 同时按住**电源**和**PTT**按钮。
POD 指示配对的设备“已清除”。

2.4

切换操作模式

要在音频模式下工作，请确保无线设备的听筒部分已插入到 POD 部分中。要用作独立的 PTT 设备，请取下听筒。

前提条件：关闭 POD。

步骤：

- 1 如果以前 POD 配对过，请在兼容设备上，将 POD 从已配对设备列表中移除。
- 2 同时按住**电源**和**PTT**按钮，直到蓝色 LED 指示灯闪烁。
- 3 将 POD 与兼容设备配对。

2.5

进入或退出黑暗模式

黑暗模式允许您关闭无线设备的 LED 指示灯。

前提条件：打开设备。

步骤：

要让设备进入或退出黑暗模式，请同时按下**电源**和**MFB**按钮，直至蓝色和绿色 LED 指示灯闪烁两次。

POD 会发出提示音或语音提示，提醒您 LED 指示灯已关闭。

按下**电源**按钮时，无线设备不显示以下功能的 LED 指示：

- 链接中断
- 电池电量低
- 操作模式错误

- 状态指示

2.6

装配衣夹

步骤：

- 1 将衣夹水平放置在衣夹轨迹区内。



- 2 向上滑动衣夹，直至听到咔嗒声。



下面是装配后的图像。



2.7 拆卸衣夹

步骤：

- 1 将衣夹旋转 90° (顺时针/逆时针)。



- 2 提起金属弹簧并将衣夹滑出后盖。



3 提起金属弹簧时，用拇指将衣夹滑出后盖。





營運關鍵無線遠端控制器， WP300 PMLN8298 使用者 手冊

5 月 2022 年

© 2022 Motorola Solutions, Inc. All rights reserved



MN007883A01-AE

目錄

Accessory Manager 應用程式簡介.....	3
安全與法律.....	4
認證標記.....	4
智慧財產與法規聲明.....	4
產品安全與 RF 暴露遵循資訊.....	5
聽力安全.....	5
重要資訊.....	5
維修與保固.....	6
保固排除.....	6
使用者注意事項 (FCC 和加拿大工業部).....	7
供應商的符合性聲明.....	8
章 1 : 控制器概觀.....	9
1.1 無線電/裝置相容性和不相容性.....	11
章 2 : 開始使用.....	12
2.1 控制器充電.....	12
2.1.1 電池指示.....	12
2.1.2 狀態指示.....	12
2.1.3 Micro-USB 充電器.....	13
2.2 連接整合式麥克風/受話器耳機.....	13
2.3 配對或取消配對控制器.....	14
透過藍牙配對控制器.....	14
透過 NFC 配對控制器.....	14
取消配對控制器.....	15
2.4 切換操作模式.....	15
2.5 進入或結束黑暗模式.....	15
2.6 組裝固定夾.....	16
2.7 拆卸固定夾.....	17

Accessory Manager 應用程式簡介

下載並安裝 Accessory Manager 應用程式，以便日後進行軟體升級和接收新功能版本。

建議您在首次使用前先安裝 Accessory Manager，以將配件韌體升級為最新版本。



安全與法律

本節提供本產品的安全與法律資訊。

Learning Experience Portal (LXP) Manual do Usuário e documentação relacionada disponíveis em:
<https://learning.motorolasolutions.com/>

認證標記



CMIIT ID : 2021DP17747

摩托罗拉系统 (中国) 有限公司

智慧財產與法規聲明

著作權

本文件內描述之 Motorola Solutions 產品可能含有受著作權保護的 Motorola Solutions 電腦程式。根據美國及其他國家/地區的法律規定，Motorola Solutions 得享有受著作權保護電腦程式的特定專屬權利。因此，未取得 Motorola Solutions 書面明示同意，不得以任何方式複製或重製本文件描述之 Motorola Solutions 產品中的任何受著作權保護 Motorola Solutions 電腦程式。

未事先取得 Motorola Solutions, Inc. 書面同意，不得以任何形式或方式，將本文件的任何部分重製、傳送、儲存於檢索系統，或翻譯至任何語言或電腦程式語言。

商標

MOTOROLA、MOTO、MOTOROLA SOLUTIONS 和特殊格式之 M 標誌為 Motorola Trademark Holdings, LLC 的商標或註冊商標，且經授權後使用。所有其他商標為其個別所有人之財產。

授權權利

除因運用產品買賣法取得之一般、非專屬、免授權金之使用授權外，不得認為 Motorola Solutions 的著作權、專利或專利應用因 Motorola Solutions 產品之購買，而以直接或暗示、禁反言或其他方式授與購買者。

開放原始碼內容

本產品可能包含經授權後使用的開放原始碼軟體。請參閱產品安裝媒體以取得完整的開放原始碼法律聲明與歸屬內容。

歐盟 (EU) 和英國 (UK) 廢電子及電器設備 (WEEE) 處理指令



■ 歐盟的 WEEE 指令和英國的 WEEE 規範規定銷入歐盟國家/地區和英國的產品 (或某些情況下，在外包裝上) 必須加上垃圾桶打叉的標籤。依照 WEEE 指令的定義，這個垃圾桶打叉的標籤表示歐盟國家/地區和英國的客戶及使用者不應將電器及電子設備或配件當成家庭廢棄物處理。

歐盟國家/地區和英國的客戶或使用者應與當地設備供應商代表或維修中心聯絡，以取得有關當地廢棄物回收系統的相關資訊。

免責聲明

請注意，本文件中描述的某些特性、設施和功能可能不適用於特定系統或未授權在特定系統上使用，或取決於特定車裝台用戶裝置的特性或某些參數配置。請洽詢您的 Motorola Solutions 聯絡人以取得更多資訊。

© 2022 Motorola Solutions, Inc. 版權所有

產品安全與 RF 暴露遵循資訊

注意：

使用此產品之前，請閱讀無線電隨附的《RF 能量暴露與產品安全指南》，內容包含安全使用指示，以及無線射頻能量注意事項與控制資訊，以符合適用標準及規範。

聽力安全

長時間暴露在任何來源的過大噪音中，可能會造成暫時性或永久性的聽力影響。無線電的音量越大，影響聽力所需要的時間越短。初期有時不易察覺聽力因接觸高音量受損，但是影響會逐漸加劇。若要保護您的聽力：

- 使用最低所需音量來執行您的工作。
- 只在吵雜環境中提高音量。
- 戴上耳機前請先降低音量。
- 限制以高音量使用耳機的時間。
- 在未搭配耳機的情況下使用無線電時，請勿將無線電喇叭直接對準您的耳朵。
- 如果您覺得聽力不適、耳鳴或是對話聲模糊不清，應該停止使用耳機收聽無線電，並請醫生檢查您的聽力。若要變更音量，請參閱《無線電產品安全資訊單》或《監聽超大聲 (xL) 套件組態的客戶程式設定軟體 (CPS)》。

重要資訊

- 請勿在溫度低於 0°C (32°F) 或高於 45°C (113°F) 時對配件進行充電。
- 請勿將配件存放於直接日照下，或是預期會超過此溫度範圍的環境中 (如停放的車輛內)。
- 將充飽電的配件儲存在高溫環境，可能會永久性縮短內建電池的壽命。
- 低溫環境中電池壽命可能會暫時縮短。
- 遠端控制器應存放於溫度 -10°C (14°F) 至 30°C (86°F) 之間，以盡量避免永久電池容量損失。



警告：

- 為避免造成傷害，請勿拆卸、打孔或壓碎控制器，此動作可能會造成電池短路。
- 請勿讓控制器暴露於或丟入熱源或火焰中。
- 請勿將控制器當成家庭廢棄物處理。
- 請勿讓音訊插孔與 USB 充電連接埠進水。若音訊插孔與/或 USB 充電連接埠進水時，請搖晃控制器以將水排除。未使用時，請務必用防塵蓋保護音訊插孔和 USB 充電連接埠。

維修與保固

除了固定夾以外，控制器無法維修。控制器享有標準 Motorola Solutions 一年有限保固。

保固排除

針對產品的安裝、維護或服務、配件、電池或零件，Motorola Solutions 不提供擔保。

針對非由 Motorola Solutions 提供或製造的任何輔助或周邊設備 (特定範例包括但不限於：電池、充電器、轉接器和電源供應器) 與本產品連接或使用所造成的問題或損壞，Motorola Solutions 概不負責。本產品與輔助或周邊設備搭配使用時，若該設備非由 Motorola Solutions 提供，Motorola Solutions 對本產品/周邊設備合併使用之操作不提供擔保。Motorola Solutions 擁有本產品是否存在瑕疵的判定權，若經判定無瑕疵，針對此合併操作，Motorola Solutions 將對相關之保固索賠概不負責。開啟或拆卸產品時，保固便立即失效。Motorola Solutions 特別聲明，針對由於未授權人員安裝不當而造成的任何損害，一概恕不負責。

取得審驗證明之低功率射頻器材，非經核准，公司、商號或使用者均不得擅自變更頻率、加大功率或變更原設計之特性及功能。低功率射頻器材之使用不得影響飛航安全及干擾合法通信；經發現有干擾現象時，應立即停用，並改善至無干擾時方得繼續使用。前述合法通信，指依電信管理法規定作業之無線電通信。低功率射頻器材須忍受合法通信或工業、科學及醫療用電波輻射性電機設備之干擾。

使用者注意事項 (FCC 和加拿大工業部)

根據下列情況，此裝置符合 FCC 規章第 15 部分，以及加拿大的免授權 RSS 的規定：

- 本裝置不得造成有害的干擾。
- 本裝置必須接受所有收到的干擾，包括可能造成操作不正常的干擾。
- 未經 Motorola Solutions 明文同意而變更或修改本裝置，可能導致使用者喪失本設備的操作授權。

供應商的符合性聲明

供應商的符合性聲明

根據 FCC CFR 47 第 2 部分 2.1077(a) 區段



責任方

名稱：Motorola Solutions, Inc.

地址：2000 Progress Pkwy, Schaumburg, IL.60196

電話號碼：1-800-927-2744

特此聲明本產品：

機型名稱：**WP300**

符合以下規定：

FCC 第 15 部分，子部分 B 的 15.107(a)、15.107(d) 和 15.109(a) 區段

Class B 數位裝置

此裝置為個人電腦周邊設備，符合 FCC 規則的第 15 部分。操作受以下兩個條件的限制：

- 1 本裝置不得造成有害的干擾，且
- 2 本裝置必須接受所有收到的干擾，包括可能造成操作不正常的干擾。



附註：

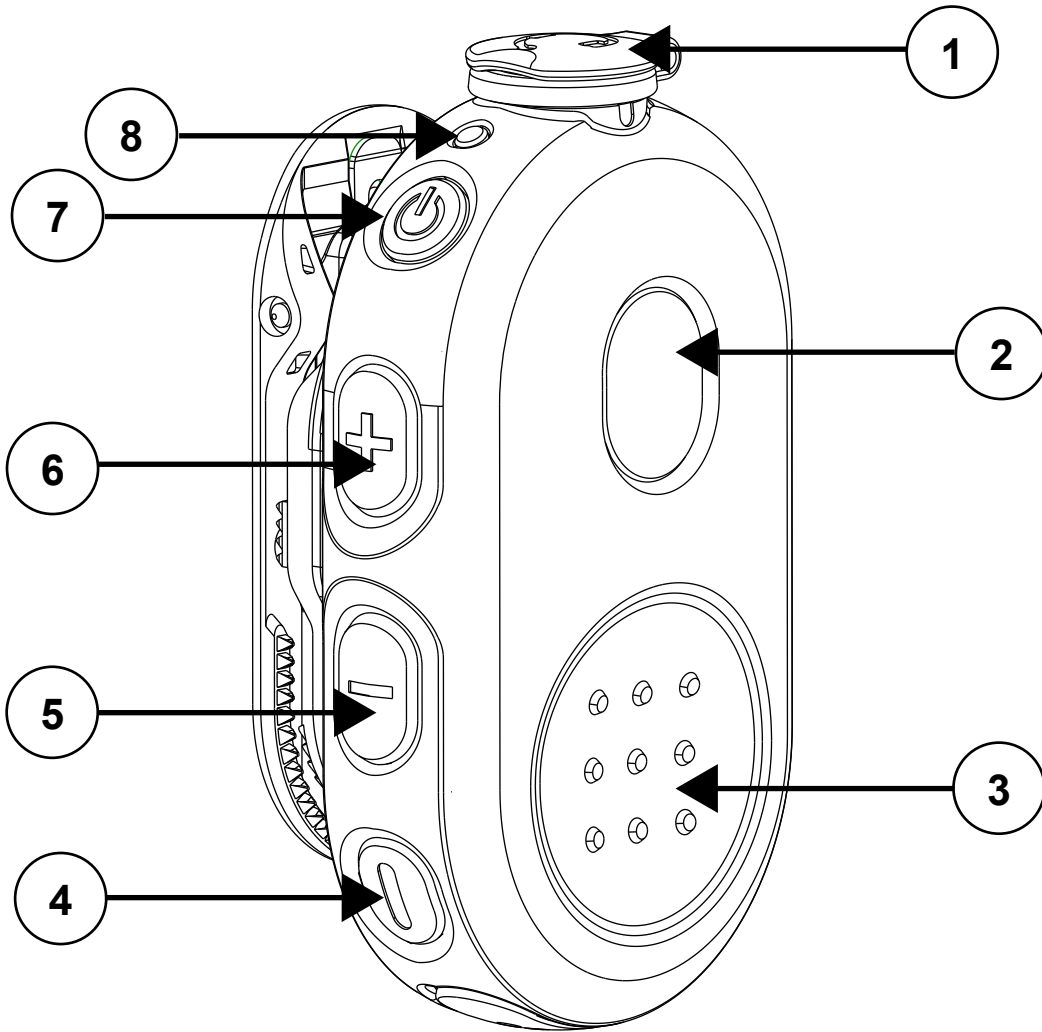
本設備業已通過測試，完全符合 FCC 規章第 15 部分關於 Class B 數位裝置的標準。這些標準的設立目的是在安裝本設備的居家環境中，針對有害干擾提供適當的防護。本設備會產生、使用，而且能發射無線射頻能量，若未依據指示安裝及使用，則對於無線電通訊可能造成有害干擾。但即使以特定方式安裝，亦無法保證不會產生干擾。

如果本設備確實對無線電或電視收訊造成有害干擾 (可藉由關閉及開啟設備加以判斷)，我們建議使用者嘗試透過下列其中一項或多項措施進行更正：

- 重新調整接收天線的方向或位置。
- 增加設備與接收器之間的時間距離。
- 讓設備與接收器連接至使用不同電路的插座。
- 諮詢經銷商或經驗豐富的無線電或電視機技師以尋求協助。

章 1

控制器概觀



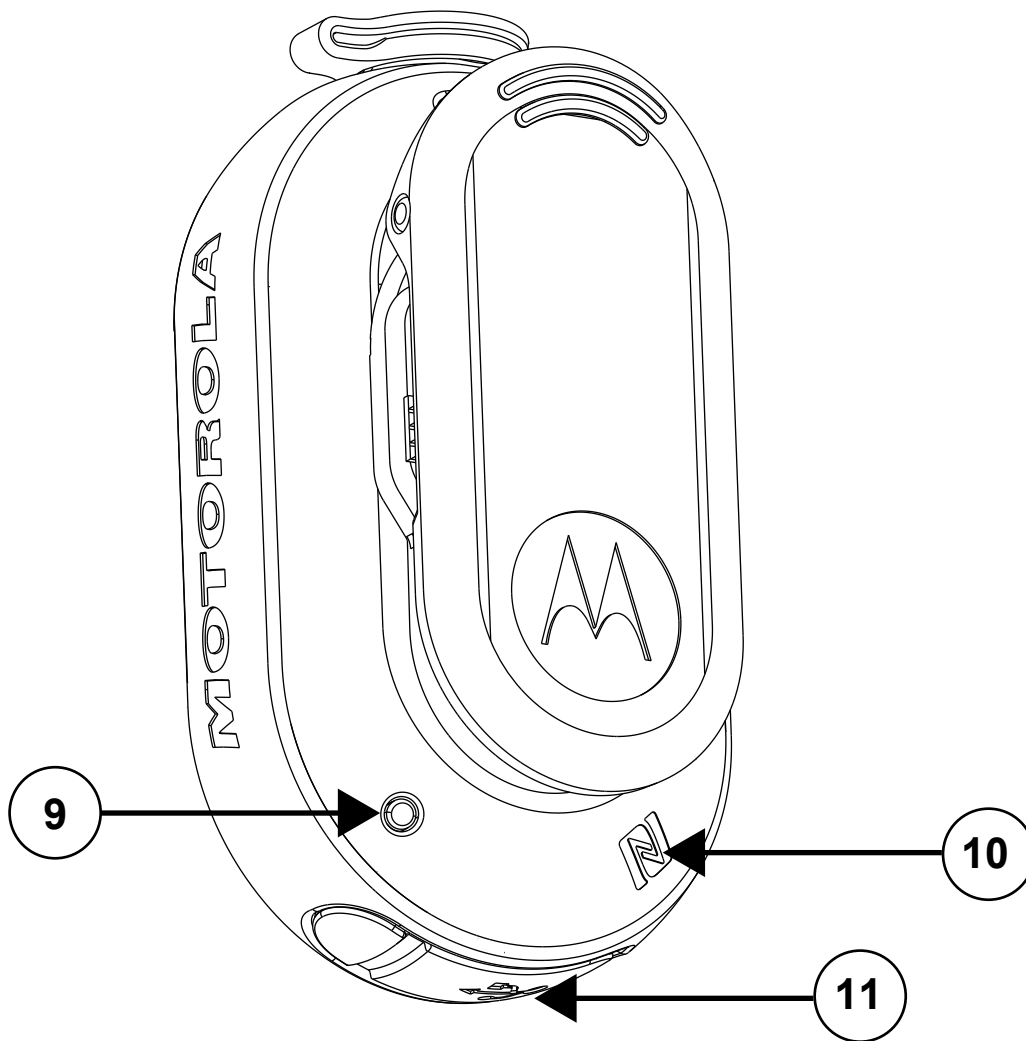


表 1：控制器概觀和描述

標示	描述
1	音訊插孔
2	通話按鈕/多功能按鈕 (MFB)
3	PTT 按鈕
4	緊急按鈕
5	音量降低
6	音量提高
7	電源按鈕
8	音訊/藍牙指示燈
9	電源/電池指示燈
10	NFC 位置
11	充電連接埠

標示	描述
	附註： 當作獨立 PTT 裝置使用時，通話按鈕/MFB 和音量按鈕不適用。

1.1

無線電/裝置相容性和不相容性

與 PMLN8298 相容的無線電或裝置清單：

無線電/裝置相容性

- Evolve 和 BYOD (Android 或 iOS) 搭配 Kodiak 應用程式 10.0.x 版和更新版本
- SLN1000
- TLK 100 系列、TLK150
- LEX L11



 **附註：** TLK100、TLK150 和 SLN1000 僅支援配備 PMLN8190、PMLN8077 或 PMLN8125 耳機的 WP300。(不支援連接至 TLK 裝置的獨立藍牙或有線耳機。)

表 2：相容的零件和配件

零件編號	描述
PMLN8077A ¹	配備標準線的內置 PTT 耳機
PMLN8125A ¹	配備短線的內置 PTT 耳機
PMLN8190A ¹	1 線增強型透明管耳機，2.5 公釐單針腳，直式
PMLN6246A	無線即按即說控制器的旋轉夾
PMLN8332A ¹	WP300 固定式裝配架皮套

-  **附註：**
- 這些配件可與具備 Kodiak 寬頻 PTT 功能的裝置配對。若要啟用緊急按鈕功能，請確認 Kodiak 的緊急功能已啟用。請參閱 Kodiak 使用者指南以取得設定指示。
 - 藍牙裝置名稱：WP300_xxxx。字元字串「WP300_xxxx」是藍牙裝置名稱。「xxxx」是藍牙位址的最後四位數。
 - MAC 位址位於個別包裝盒的頂端和以及皮帶夾後方的 QR 代碼內。其他 MAC 位址標籤則在個別包裝盒中提供。
 - 若要支援新的裝置/無線電和功能，請將 WP300 韌體升級至最新版本。

無線電/裝置不相容性

- Pixel 4 Android 10

¹ 這些配件需另行購買。

章 2

開始使用

熟悉如何使用遠端控制器的基本資訊。

2.1

控制器充電

準備工作： 充電前先關閉控制器。

程序：

- 1 將 USB 充電纜線連接至控制器進行充電。
- 2 將充電纜線插入至 USB 電源。

表 3：充電指示燈

電源指示	描述
快速閃爍紅色燈	充電錯誤
持續亮起紅色燈	充電中
閃爍綠色燈	幾乎充飽電
持續亮起綠色燈	電池已充飽電

2.1.1

電池指示

控制器未進行充電時，請參閱下表以瞭解指示。

表 4：電池指示

電源指示	描述
熄滅	電池電力中等或高。
閃爍紅色燈	電池電力不足。

2.1.2

狀態指示

請參閱以下表格以瞭解音訊和藍牙狀態指示。

表 5：音訊和藍牙狀態

音訊/藍牙指示	描述
閃爍藍色燈	進入配對
持續亮起藍色燈	已中斷連線
雙閃藍色燈 (一次)	已連線

音訊/藍牙指示	描述
持續亮起紅色燈	麥克風已靜音
閃爍綠色燈	接收來電



附註：當作獨立 PTT 裝置使用時，麥克風為靜音且來電指示不適用。

表 6：狀態指示

指示燈	指示	描述
音訊/藍牙	雙閃藍色燈	已連線
電源	雙閃綠色燈	電池電力高
	雙閃琥珀色燈	電池電力中等



附註：若要判斷控制器的詳細狀態，請短按**電源**按鈕。

表 7：操作模式指示

指示燈	指示	描述
藍牙和電源 LED	兩個 LED 同時閃爍紅色燈。	操作模式錯誤
	藍牙 LED 閃爍藍色燈兩次，且電源 LED 同時閃爍綠色燈兩次。	控制器進入或結束黑暗模式

請參閱[切換操作模式](#)以瞭解正確的操作模式設定。

2.1.3

Micro-USB 充電器

本節提供使用 Micro-USB 充電器的相關資訊。

- Micro-USB 充電器是一種使用方便的連接埠，可讓您輕鬆為電池充電。
- 確定裝置已關閉。
- 將 Micro-USB 纜線插入裝置上的 Micro-USB 充電連接埠。
- 將 USB 充電器連接至附近方便使用的牆壁電源插座。



注意：

插入及拔出 USB 接頭時，請抓住 USB 接頭。請勿拉扯纜線。
 請勿扭轉防塵蓋。

2.2

連接整合式麥克風/受話器耳機

程序：

- 1 若要連接並鎖定耳機，請對準接頭上的解鎖符號，然後將接頭推入並轉動接頭，直到鎖定符號對準為止。

- 2 若要解鎖並卸下耳機，請轉動接頭，將解鎖符號對準前外殼的凹處，然後將接頭拉出。



附註：

與無線電或轉接器建立連線之前，請先連接或卸除耳機。

如果是意外或刻意移除耳機時，或是連接裝置與耳機時中斷無線連線，紅色 LED 會快速閃爍。

2.3

配對或取消配對控制器

準備工作： 關閉控制器。

透過藍牙配對控制器

若要在音效模式中運作，請確定無線裝置的耳機部分已插入控制器。若要作為獨立 PTT 裝置使用，請移除耳機。

程序：

- 1 按住**電源**按鈕，直到藍色 LED 閃爍。
- 2 從相容裝置上搜尋，並從藍牙清單中選取**控制器**。

裝置已連線。



附註： 在開始配對程序之前，請務必將 WP300 與藍牙主機取消配對並清除配對。

透過 NFC 配對控制器

若要在音效模式中運作，請確定無線裝置的耳機部分已插入控制器。若要作為獨立 PTT 裝置使用，請移除耳機。

程序：

- 1 按住**電源**按鈕，直到藍色 LED 閃爍。
- 2 對準控制器和相容裝置上的 NFC 位置。
- 3 檢查相容裝置，確認配對成功。

將獨立 PTT 裝置與特定主機裝置配對時，會出現下列提示訊息：無法連接 WP300。

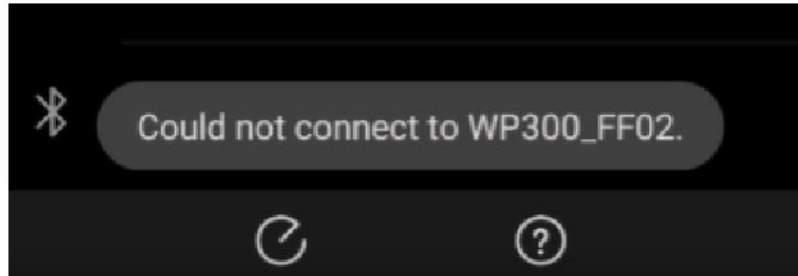
您必須檢查 **PTT** 按鈕和**緊急**按鈕是否正常運作。如果按鈕正常運作，您可以忽略此提示訊息。如果按鈕未正常運作，您必須透過藍牙手動配對控制器和裝置。



附註： 在開始配對程序之前，請務必將 WP300 與藍牙主機取消配對並清除配對。

範例：

圖 1：提示訊息



取消配對控制器

程序：

- 1 從先前配對相容裝置的配對裝置清單中移除控制器。
- 2 同時按住**電源**和**PTT** 按鈕。
控制器表示配對裝置「已清除」。

2.4

切換操作模式

若要在音效模式中運作，請確定無線裝置的耳機部分已插入控制器。若要作為獨立 PTT 裝置使用，請移除耳機。

準備工作： 關閉控制器。

程序：

- 1 若之前控制器已配對，請從相容裝置的配對裝置清單中移除控制器。
- 2 同時按住**電源**和**PTT** 按鈕，直到藍色 LED 閃爍。
- 3 配對控制器與相容裝置。

2.5

進入或結束黑暗模式

黑暗模式可讓您關閉無線裝置的 LED 燈。

準備工作： 開啟裝置。

程序：

同時按下**電源**和**MFB** 按鈕，直到藍色和綠色 LED 閃爍兩次，以切換裝置進入或離開黑暗模式。

控制器會播放提示音或語音提示，提醒您 LED 已關閉。

按下**電源**按鈕時，無線裝置不會顯示下列功能的 LED 指示：

- 失去連結
- 電池電力不足
- 操作模式錯誤

- 狀態指示

2.6

組裝固定夾

程序：

- 1 將固定夾水平放置在固定夾滑軌。



- 2 向上滑動固定夾，直到聽見咔嚓聲。



下圖為完成組裝後的影像。



2.7 拆卸固定夾

程序：

- 1 將固定夾旋轉 90 °C (順時針/逆時針)。



- 2 掀起金屬彈簧，並將固定夾滑出背蓋。



- 3 掀起金屬彈簧時，用拇指將固定夾滑出背蓋。





オペレーション クリティカル ワイヤレス リモート コ ントロール ポッド、**WP300** **PMLN8298** ユーザー マニ ュアル

5 月 2022 年

© 2022 Motorola Solutions, Inc. All rights reserved



MN007883A01-AE

目次

Accessory Manager アプリの概要	3
安全と法律	4
認定マーク.....	4
知的財産および規制に関するご注意.....	4
製品の安全性と電磁波被曝に関する要件の準拠.....	5
聴覚の安全性.....	5
重要な情報.....	5
サービスと保証	7
保証の除外.....	7
ユーザーへの通告 (FCC およびカナダ産業省)	8
供給元の適合宣言	9
章 1 : ポッドの概要	10
1.1 無線機/デバイスの互換性と非互換性.....	12
章 2 : ご使用の前に	14
2.1 ポッドを充電する.....	14
2.1.1 バッテリー表示.....	14
2.1.2 ステータス表示.....	14
2.1.3 Micro-USB 充電器.....	15
2.2 マイク/レシーバ内蔵 ヘッドセット (イヤピース) の取り付け.....	16
2.3 POD のペアリングまたはペアリング解除.....	16
Bluetooth を使用した POD のペアリング.....	16
NFC を使用した POD のペアリング.....	16
POD のペアリング解除.....	17
2.4 動作モードの切り替え.....	17
2.5 ダーク モードを開始または終了.....	17
2.6 クリップを組み立てる.....	18
2.7 クリップを分解する.....	19

Accessory Manager アプリの概要

Accessory Manager アプリをダウンロード、インストールして、今後発表されるソフトウェア アップグレードや新機能リリースをご確認ください。

初めて使用する前に、Accessory Manager をインストールして、アクセサリのファームウェアを最新バージョンにアップグレードすることをお勧めします。



安全と法律

このセクションでは、本製品の安全と法律情報について説明します。

Learning Experience Portal (LXP) Manual do Usuário e documentação relacionada disponíveis em:
<https://learning.motorolasolutions.com/>

認定マーク



CMIIT ID: 2021DP17747

摩托罗拉系统（中国）有限公司

知的財産および規制に関するご注意

著作権

本書に記載されている Motorola Solutions 製品には、著作権取得済み Motorola Solutions コンピュータプログラムが含まれている場合があります。米国およびその他諸国の法律で、著作権取得済みコンピュータプログラムの一定の独占権が Motorola Solutions のために保護されています。したがって、本書で説明される Motorola Solutions 製品に含まれるいかなる著作権取得済み Motorola Solutions コンピュータプログラムも、Motorola Solutions からの書面による明示的な許可なしに、いかなる方法においても複製または再生してはなりません。

本書のいかなる部分についても、いかなる形式であろうと、いかなる手段によっても、Motorola Solutions, Inc. からの事前の書面による許可なしに複製、伝送、情報検索システムへの格納、あらゆる言語への翻訳、コンピュータ言語への変換をしてはいけません。

商標

MOTOROLA、MOTO、MOTOROLA SOLUTIONS、および図案化された M ロゴは、Motorola Trademark Holdings, LLC の商標または登録商標であり、ライセンスの下に使用されます。その他のすべての商標は、該当する各所有者が権利を有しています。

ライセンスの権利

Motorola Solutions 製品の購入は、直接的あるいは黙示的、禁反言的、またはその他の方法によって、Motorola Solutions の著作権、特許または特許申請の対象となる一切のライセンスを付与するものとはみなされないものとします。ただし、製品の販売において法の運用によって生ずる通常の非独占的、ロイヤルティ不要の使用ライセンスについては、この限りではありません。

オープン ソース コンテンツ

この製品には、ライセンスの下に使用されるオープン ソース ソフトウェアが含まれている場合があります。オープン ソースの法的通知および帰属の内容については、製品のインストール メディアを参照してください。

欧州連合 (EU) および英国 (UK) の電気電子廃棄物 (WEEE) 指令



■ 欧州連合の WEEE 指令および英国の WEEE 規制では、EU 諸国および英国に販売される製品 (場合によってはパッケージ) に車輪付きゴミ箱への投入禁止ラベルを貼ることを要求しています。WEEE 指令で規定されるとおり、この車輪付きゴミ箱への投入禁止ラベルは、EU 諸国と英国の顧客とエンドユーザーが、電気および電子機器またはアクセサリを生活廃棄物として廃棄してはならないことを意味します。

EU 諸国と英国の顧客またはエンドユーザーは、自国の廃棄物収集システムについて、地元の機器販売代理店またはサービス センターに問い合わせる必要があります。

免責条項

特定のシステムに対して、本書で説明する特定の機能、設備、性能が適用されない、またはライセンス付与されない場合や、特定のモバイル加入者ユニットの特性や特定のパラメータの設定に依存する場合があります。詳細については、Motorola Solutions の担当者にご確認ください。

© 2022 Motorola Solutions, Inc. All Rights Reserved

製品の安全性と電磁波被曝に関する要件の準拠

注意：

本製品をご使用になる前に、携帯型業務用無線機の RF エネルギー被曝および製品の安全性に関するガイドに記載されている安全な使用方法と RF エネルギー認識情報、および該当する基準と規制の順守の統制に関する操作説明書をご一読ください。

聴覚の安全性

音源を問わず、大音量の音に長時間さらされた場合、聴力が一時的または恒久的に影響を受ける場合があります。無線機の音量が大きいとそれだけ、短時間で聴力が影響を受けます。大音量の音による聴覚障害は、最初は自覚症状がない場合があります、その影響は累積的である可能性があります。聴力を保護するため、次の点をお守りください。

- 必要最低限の音量で使用してください。
- 周囲の音が大きいために聞き取りにくい場合にのみ、音量を上げてください。
- イヤピースを装着する前に、音量を下げてください。
- 長時間、大音量でヘッドセットやイヤピースを使用しないでください。
- ヘッドセットやイヤピースを使わずに無線機を使用する場合、耳に直接スピーカを当てないでください。
- 不快な音が聞こえる、耳鳴りがする、または声が聞こえづらい場合は、ヘッドセットまたはイヤピースを通じて無線機の音を聞くのを止め、聴覚について医師の診断を受けてください。音量レベルを変更するには、『無線機製品の安全性に関するリーフレット』または『Customer Programming Software (CPS) 向け監視用特大音量 (XL) キットの構成』を参照してください。

重要な情報

- アクセサリは、0°C (32°F) 未満または 45°C (113°F) を超える温度で充電しないでください。
- アクセサリは直射日光に当てないでください。また、駐車した車の中など温度がこの範囲を超える可能性のある場所で保管しないでください。
- 高温下でアクセサリを完全充電状態にて保管すると、内部バッテリーの寿命が恒久的に低下することがあります。

- 低温下ではバッテリーの寿命が一時的に短くなります。
- バッテリーの恒久的な容量損失を最小限に抑えられるように、リモート コントロール ポッドは -10°C (14°F) ~ 30°C (86°F) の温度範囲で保管する必要があります。



警告：

- 怪我を防止するため、ポッドを分解、穿孔、粉碎しないでください。この行為は、バッテリーの短絡の原因となる可能性があります。
- ポッドを熱や火にさらしたり、投げ入れたりしないでください。
- ポッドを生活廃棄物として廃棄しないでください。
- オーディオ ジャックと USB 充電ポートに水を入れないでください。オーディオ ジャックや USB 充電ポートに水が入った場合は、ポッドを振って水を取り除いてください。使用しないときは、オーディオ ジャックと USB 充電ポートを必ずダスト キャップで覆ってください。

サービスと保証

ポッドは、クリップ以外修理できません。ポッドは、標準の Motorola Solutions の 1 年間の限定保証の対象です。

保証の除外

Motorola Solutions は、製品、アクセサリ、バッテリー、または部品の設置、メンテナンス、またはサービスを保証しません。

Motorola Solutions は、製品に接続されている、または製品とともに使用されている Motorola Solutions によって提供または製造されていない、付属機器または周辺機器 (具体的な例としては、バッテリー、充電器、アダプタ、電源など) に起因する問題または損傷に対して一切の責任を負いません。Motorola Solutions が提供していない付属機器または周辺機器で本製品を使用する場合、Motorola Solutions は本製品/周辺機器の組み合わせの動作を保証しません。Motorola Solutions は、このような組み合わせで本製品が使用され、Motorola Solutions が本製品に不具合がないと判断した場合、いかなる保証請求も受け入れません。製品を開いたり分解したりすると、ただちに保証が無効になります。Motorola Solutions は、認定されていない担当者による不適切な設置に起因するいかなる損傷についても、一切責任を負いません。

ユーザーへの通告 (FCC およびカナダ産業省)

この機器は、次の条件により、FCC 規則パート 15 およびカナダ産業省ライセンス免除 RSS に適合しています。

- この機器は有害な干渉を発生しません。
- この機器は、不適切な動作の原因となり得る干渉も含め、受信したあらゆる干渉の影響を受けます。
- Motorola Solutions による明示的な承認なくして本機器に変更または改変を加えた場合、本機器を操作するためのユーザーの権限が無効になることがあります。

供給元の適合宣言

供給元の適合宣言

Per FCC CFR 47 Part 2 Section 2.1077(a)



責任者

名前: Motorola Solutions, Inc.

住所: 2000 Progress Pkwy, Schaumburg, IL.60196

電話番号: 1-800-927-2744

ここに以下の製品:

モデル名: **WP300**

が以下の規制に適合していることを宣言します。

FCC Part 15、subpart B、section 15.107(a)、15.107(d) および section 15.109(a)

Class B デジタル デバイス

パーソナル コンピュータの周辺機器として、このデバイスは FCC の Part 15 に適合します。この機器の動作は次の 2 つの条件を前提としています。

- 1 この機器は有害な干渉を発生しません。
- 2 この機器は、不適切な動作の原因となり得る干渉も含め、受信したあらゆる干渉の影響を受けません。



注:

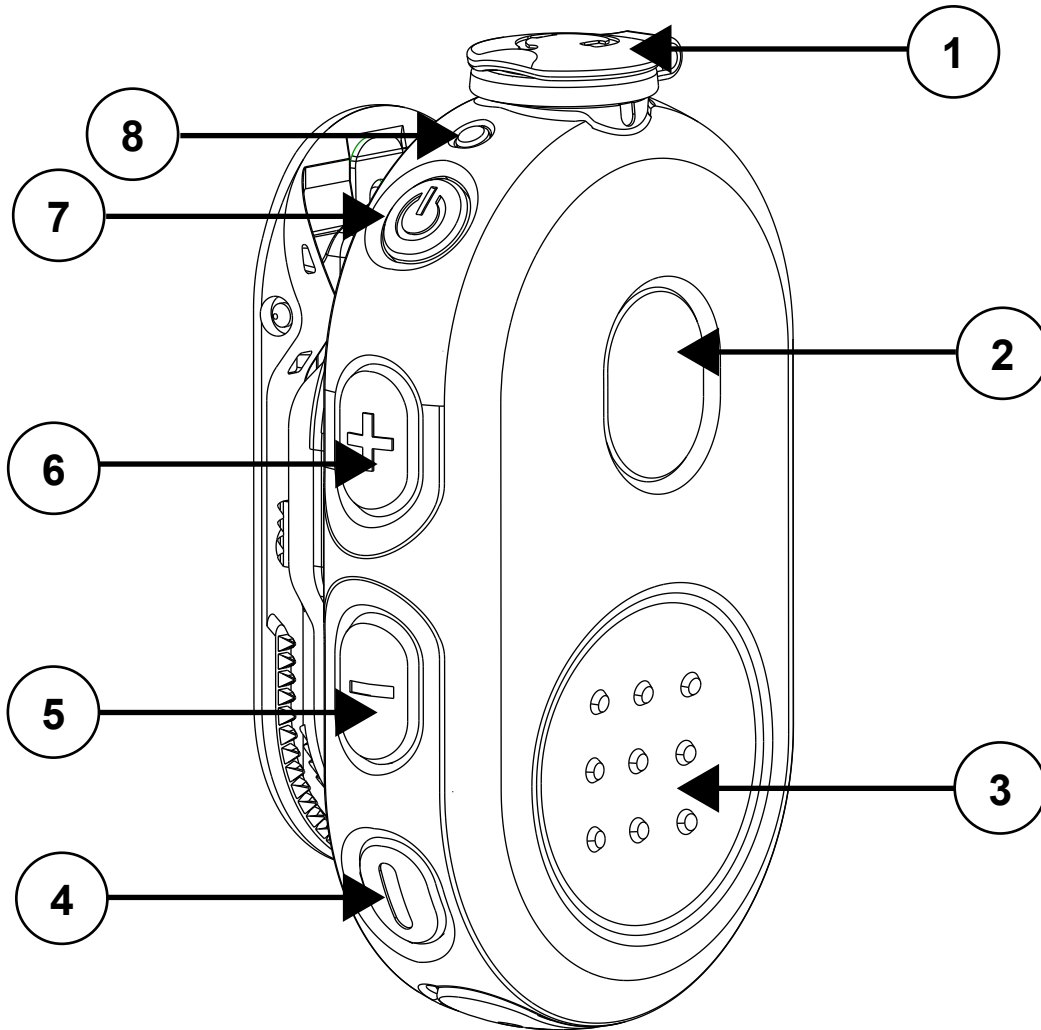
この機器は、テストの結果、FCC 規則 Part 15 に基づく Class B デジタル デバイスの制限に準拠していることが確認されています。この制限は、この機器を住居内で使用する際に有害な電波干渉を起こさないようにするために規定されたものです。この機器は、無線周波エネルギーを発生、使用、放射する可能性があります。指示に従わずに設置および使用した場合、無線通信に有害な電波干渉を引き起こすおそれがあります。ただし、これは特定の設置状況で電波干渉が発生しないことを保証するものではありません。

この機器がラジオやテレビの受信に有害な電波干渉を引き起こし、機器の電源のオン/オフ操作によってそのことが確認できる場合、以下の 1 つ以上の方法を用いて、お客様ご自身で電波障害の解決を試みることをお勧めします。

- 受信アンテナの方向または場所を変えてください。
- 本機器と受信機の距離を離してください。
- 受信機が接続されているものとは別の回路のコンセントに本機器を接続してください。
- 販売店またはラジオやテレビの専門技術者に相談してください。

章 1

ポッドの概要



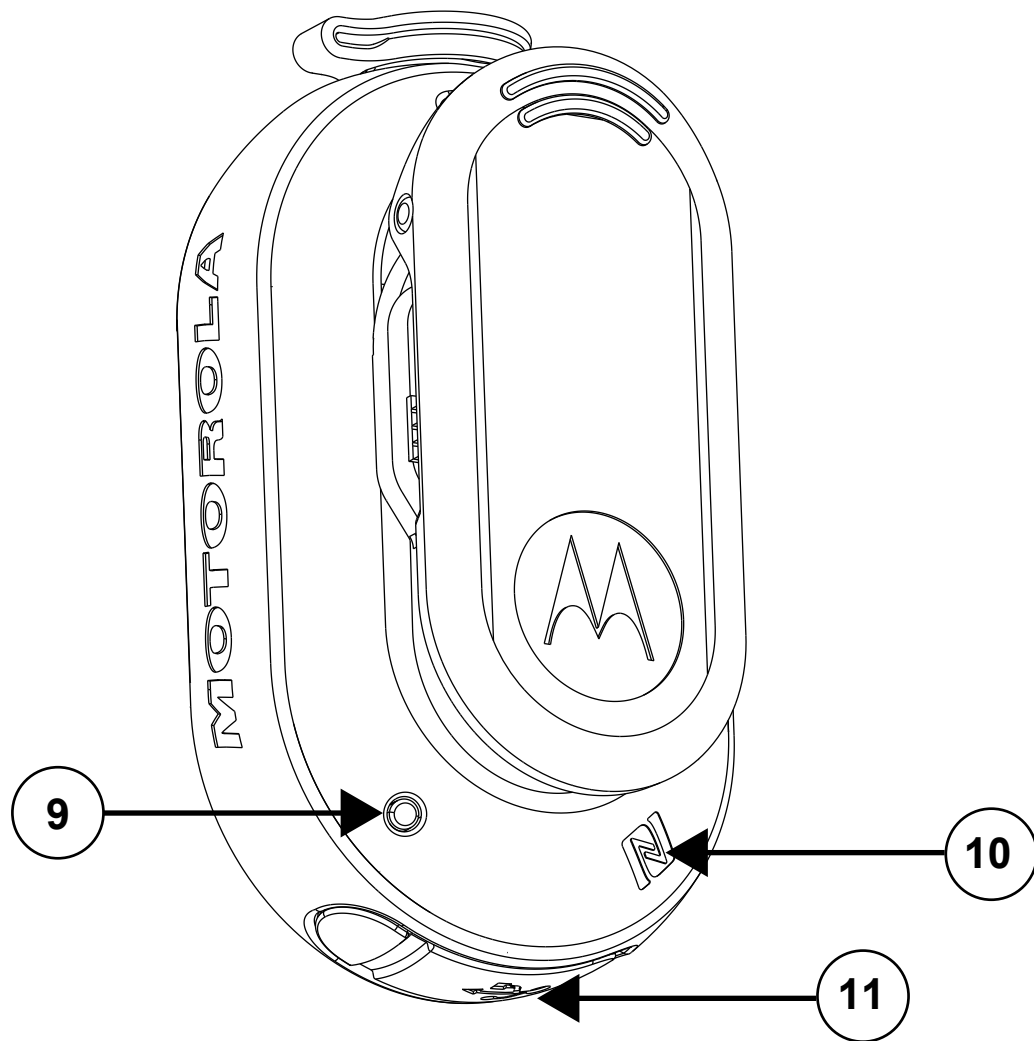



表 1: ポッドの概要と説明

ラベル	説明
1	オーディオ ジャック
2	通信ボタン/多機能ボタン (MFB)
3	PTT ボタン
4	緊急ボタン
5	音量ダウン
6	音量アップ
7	電源ボタン
8	オーディオ/Bluetooth インジケータ
9	電源/バッテリー インジケータ
10	NFC 位置

ラベル	説明
11	充電ポート
	注: スタンドアロン PTT デバイスとして機能する場合、通信ボタン/MFB および音量ボタンは適用されません。

1.1

無線機/デバイスの互換性と非互換性

PMLN8298 に適合する無線機またはデバイスのリスト:

無線機/デバイスの互換性

- Kodiak アプリ バージョン 10.0.x 以降を搭載している Evolve と BYOD (Android または iOS)
- SLN1000
- TLK 100 シリーズ、TLK150
- LEX L11



注: TLK100、TLK150、および SLN1000 は、PMLN8190、PMLN8077、または PMLN8125 イヤピース付き WP300 のみをサポートします。(TLK デバイスに接続されている個別の Bluetooth または有線のイヤピースはサポートされていません)

表 2: 互換性がある部品およびアクセサリ

部品番号	説明
PMLN8077A ¹	標準コード付きインライン PTT イヤピース
PMLN8125A ¹	ショート コード付きインライン PTT イヤピース
PMLN8190A ¹	1 線式拡張クリア チューブ イヤピース、2.5mm シングル ピン、ストレート
PMLN6246A	ワイヤレス プッシュアウトトーク POD 用スイベル クリップ
PMLN8332A ¹	WP300 固定式ホルスタ



注:

- これらのアクセサリは、Kodiak ブロードバンド PTT 対応デバイスとペアリングできます。緊急ボタン機能を有効にするには、Kodiak で緊急機能が有効になっていることを確認します。セットアップ手順については、『Kodiak ユーザー ガイド』を参照してください。
- Bluetooth デバイス名: WP300_xxxx 文字列「WP300_xxxx」は Bluetooth デバイス名です。「xxxx」は Bluetooth アドレスの末尾 4 桁です。
- MAC アドレスは、個々のパッケージの上部、およびベルト クリップの後ろの QR コード内にあります。追加の MAC アドレス ラベルは、個々のパッケージにあります。
- 新しいデバイス/無線機および機能をサポートするには、WP300 ファームウェアを最新バージョンにアップグレードします。

¹ これらのアクセサリは別途購入する必要があります。

無線機/デバイスの非互換性

- Pixel 4 Android 10

章 2

ご使用の前に

リモート コントロール ポッドの使用方法に関する基本情報をよく理解してください。

2.1

ポッドを充電する

前提条件: 充電する前にポッドの電源をオフにします。

手順:

- 1 USB 充電ケーブルをポッドに接続して、ポッドを充電します。
- 2 充電ケーブルを USB 電源に接続します。

表 3: 充電インジケータ

電源表示	説明
赤色の速い点滅	充電エラー
赤色の点灯	充電中
緑色の点滅	ほぼ充電完了
緑色の点灯	バッテリーは完全に充電されています

2.1.1

バッテリー表示

ポッドが充電されない場合は、次の表を参照して、表示を理解してください。

表 4: バッテリー表示

電源表示	説明
オフ	バッテリー残量が中または高です。
赤色の点滅	バッテリー残量が低くなっています。

2.1.2

ステータス表示

次の表を参照して、オーディオおよび Bluetooth のステータス表示を理解してください。

表 5: オーディオおよび Bluetooth ステータス

オーディオ/Bluetooth 表示	説明
青色の点滅	ペアリングに移行
青色の点灯	切断済

オーディオ/Bluetooth 表示	説明
青色の 2 回点滅 (1 回)	接続済み
赤色の点灯	マイク ミュート
緑色の点滅	着信の受信


 注: スタンドアロン PTT デバイスとして機能している場合、マイクがミュートになっており、着信表示は適用されません。

表 6 : ステータス表示

インジケータ	表示	説明
オーディオ/Bluetooth	青色の 2 回点滅	接続済み
電源	緑色の 2 回点滅	バッテリー残量が高
	黄色の 2 回点滅	バッテリー残量が中


 注: ポッドの詳細ステータスを確認するには、電源ボタンを短押しします。

表 7 : 動作モードの表示

インジケータ	表示	説明
Bluetooth および電源 LED	両方の LED が同時に赤色に点滅します。	動作モード エラー
	Bluetooth LED が青色で 2 回点滅し、同時に電源 LED が緑色で 2 回点滅します。	POD がダーク モードを開始または終了しています

適切な動作モードの設定については、「[動作モードの切り替え](#)」を参照してください。

2.1.3

Micro-USB 充電器

このセクションでは、Micro-USB 充電器の使用方法について説明します。

- Micro-USB 充電器は、バッテリーを充電できる便利なポートです。
- デバイスがオフになっていることを確認します。
- Micro-USB ケーブルをデバイスの Micro-USB 充電ポートに差し込みます。
- USB 充電器は、機器から近く、接続しやすいコンセントに接続します。



注意:

差し込んだり、取り外したりするときは、USB コネクタを持ちます。ケーブルを引っ張らないでください。

ダスト カバーをねじらないでください。

2.2

マイクレシーバ内蔵 ヘッドセット (イヤピース) の取り付け

手順:

- 1 イヤピースを取り付けてロックするには、コネクタのロック解除記号の位置を合わせ、コネクタを押し込み、ロック記号の位置が揃うまでコネクタを回します。
- 2 イヤピースのロックを解除して取り外すには、コネクタを回してロック解除記号をフロントハウジングのくぼみに合わせ、コネクタを引き出します。



注:

イヤピースの取り付けまたは取り外しは、無線機またはアダプタとの接続を確立する前に行います。

誤って、または意図的にイヤピースをデバイスから取り外したりデバイスに取り付けたりして、ワイヤレスが切断された場合、赤色の LED が速い点滅をします。

2.3

POD のペアリングまたはペアリング解除

前提条件: POD の電源を切ります。

Bluetooth を使用した POD のペアリング

音声モードで機能させるには、ワイヤレス デバイスのイヤピース部分が POD 部分に差し込まれていることを確認します。スタンドアロン PTT デバイスとして機能させるには、イヤピースを取り外します。

手順:

- 1 青色の LED が点滅するまで、電源ボタンを押し続けます。
- 2 互換性のあるデバイスで、Bluetooth リストから **POD** を検索して選択します。

デバイスが接続されています。



注: ペアリング プロセスを開始する前に、必ず WP300 と Bluetooth ホストのペアリングを解除し、ペアリングをクリアします。

NFC を使用した POD のペアリング

音声モードで機能させるには、ワイヤレス デバイスのイヤピース部分が POD 部分に差し込まれていることを確認します。スタンドアロン PTT デバイスとして機能させるには、イヤピースを取り外します。

手順:

- 1 青色の LED が点滅するまで、電源ボタンを押し続けます。
- 2 POD と互換性のあるデバイスの両方で、NFC 位置を合わせます。
- 3 互換性のあるデバイスで、ペアリングが成功した表示がないか確認します。

スタンドアロン PTT デバイスを特定のホスト デバイスとペアリングすると、次のプロンプトメッセージが表示されます。WP300 に接続できませんでした。

PTT ボタンと 緊急モード ボタンが正しく機能しているかどうかを確認する必要があります。ボタンが機能している場合は、このプロンプトメッセージを無視してかまいません。ボタンが

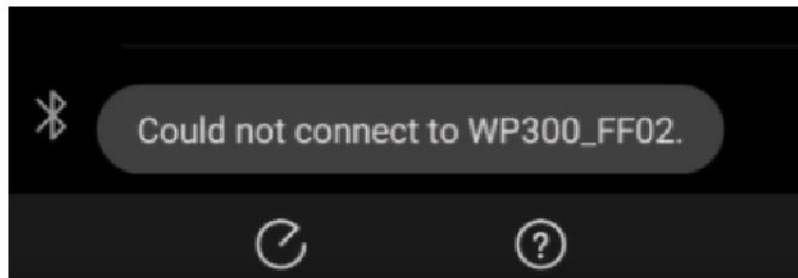
機能していない場合は、Bluetooth を使用して手動で POD とデバイスをペアリングする必要があります。



注: ペアリング プロセスを開始する前に、必ず WP300 と Bluetooth ホストのペアリングを解除し、ペアリングをクリアします。

例:

図 1: プロンプト メッセージ



POD のペアリング解除

手順:

- 1 以前にペアリングされた互換性のあるデバイスのペアリングされたデバイス リストから POD を削除します。
- 2 電源 ボタンと **PTT** ボタンを同時に押し続けます。
POD は、ペアリングされたデバイスが「クリアされている」ことを示します。

2.4

動作モードの切り替え

音声モードで機能させるには、ワイヤレス デバイスのイヤピース部分が POD 部分に差し込まれていることを確認します。スタンドアロン PTT デバイスとして機能させるには、イヤピースを取り外します。

前提条件: POD の電源を切ります。

手順:

- 1 POD が以前にペアリングされていた場合は、互換性のあるデバイスのペアリングされたデバイス リストから POD を削除します。
- 2 青色の LED が点滅するまで、電源ボタンと **PTT** ボタンを同時に押し続けます。
- 3 互換性のあるデバイスから POD をペアリングします。

2.5

ダーク モードを開始または終了

ダーク モードでは、ワイヤレス デバイスの LED をオフにできます。

前提条件: デバイスをオンにします。

手順:

青色と緑色の LED が 2 回点滅するまで、電源ボタンと **MFB** ボタンを同時に押して、デバイスのダークモード状態を切り替えます。

LED が消灯していることを知らせるトーンまたは音声プロンプトを POD が再生します。
電源ボタンを押しても、ワイヤレス デバイスには次の機能の LED 表示は表示されません。

- リンクを喪失
- バッテリ残量不足
- 動作モード エラー
- ステータス表示

2.6

クリップを組み立てる

手順:

- 1 クリップをクリップトラック領域に水平に置きます。



- 2 カチッという音がするまでクリップを上をスライドさせます。



次の図は、組み立て後のイメージです。



2.7

クリップを分解する

手順:

- 1 クリップを 90°C (時計回り/反時計回り) に回転させます。



- 2 金属製のスプリングを持ち上げ、クリップを背面カバーから引き出します。



- 3 金属製のスプリングを持ち上げながら、背面カバーから親指でクリップを引き出します。





업무 수행용 무선 원격 제어 포드, WP300 PMLN8298 사 용 설명서

5월 2022년

© 2022 Motorola Solutions, Inc. All rights reserved



MN007883A01-AE

목차

Accessory Manager 앱 소개	3
안전 및 법률	4
인증 마크.....	4
지적 재산권 및 규제 고지.....	4
제품 안전 및 RF 노출 기준 준수.....	5
청각 안전.....	5
중요 정보.....	5
서비스 및 보증	7
보증 배제.....	7
사용자 공지 사항(FCC 및 IC)	8
공급업체의 적합성 선언서	9
장 1 : POD 개요	10
1.1 무전기/장치 호환성 및 비호환성.....	12
장 2 : 시작하기	13
2.1 포드 충전.....	13
2.1.1 배터리 표시.....	13
2.1.2 상태 표시.....	13
2.1.3 마이크로 USB 충전기.....	14
2.2 통합 마이크/수신기 헤드셋(이어폰) 장착.....	14
2.3 POD 페어링 또는 페어링 해제.....	15
Bluetooth를 통한 POD 페어링.....	15
NFC를 통해 POD 페어링하기.....	15
POD 페어링 해제.....	16
2.4 작동 모드 전환.....	16
2.5 어두운 모드로 전환 또는 종료.....	16
2.6 클립 조립.....	17
2.7 클립 분해.....	18

Accessory Manager 앱 소개

소프트웨어 업그레이드 및 새로운 기능 출시를 위해 Accessory Manager 애플리케이션을 다운로드하고 설치하십시오.

처음 사용하기 전에 액세서리 펌웨어를 최신 버전으로 업그레이드하려면 Accessory Manager를 설치하는 것이 좋습니다.



안전 및 법률

이 단원에서는 이 제품의 안전 및 법률 정보를 제공합니다.

Learning Experience Portal (LXP) Manual do Usuário e documentação relacionada disponíveis em:
<https://learning.motorolasolutions.com/>

인증 마크



CMIIT ID: 2021DP17747

摩托罗拉系统 (中国) 有限公司

지적 재산권 및 규제 고지

저작권

이 문서에 설명되어 있는 Motorola Solutions 제품에는 저작권 보호를 받는 Motorola Solutions 컴퓨터 프로그램이 포함되어 있을 수 있습니다. 미국과 기타 국가의 법률은 저작권 보호를 받는 컴퓨터 프로그램에 대한 독점적인 권리를 Motorola Solutions에 부여합니다. 따라서 본 문서에 수록된 Motorola Solutions 제품에 포함되어 있으며 Motorola Solutions이 저작권을 보유한 모든 컴퓨터 프로그램은 Motorola Solutions의 서면 승인이 없는 한 어떠한 형식으로든 복사 또는 복제할 수 없습니다.

이 문서의 어떤 부분도 Motorola Solutions, Inc.의 사전 서면 허가 없이는 어떤 형태나 방식으로든 검색 시스템에 복사, 전송, 저장하거나 다른 언어나 컴퓨터 언어로 번역할 수 없습니다.

등록 상표

MOTOROLA, MOTO, MOTOROLA SOLUTIONS 및 양식화된 M 로고는 Motorola Trademark Holdings, LLC의 상표 또는 등록 상표이며 라이선스에 의거하여 사용됩니다. 기타 모든 상표는 해당 소유자의 재산입니다.

라이선스 권한

제품 판매 관련 법규에 의해 사용이 허가된 일반적인 비배타적, 사용료가 면제된 라이선스를 제외하고는 Motorola Solutions 제품의 구매를 통해 저작권, 특허 또는 Motorola Solutions 특허 출원 하의 어떠한 라이선스도 직접적, 암시적, 금반언 또는 그 밖의 어떤 형식으로든 권리를 부여받은 것으로 간주되지 않습니다.

오픈 소스 콘텐츠

이 제품에는 라이선스에 의거하여 사용되는 오픈 소스 소프트웨어가 포함되어 있을 수 있습니다. 오픈 소스 법적 고지 및 귀속과 관련된 전체 내용은 제품 설치 미디어를 참조하십시오.

유럽 연합(EU) 및 영국(UK) 전기 전자 폐기물(WEEE: Waste Electrical and Electronic Equipment) 지침



유럽 연합의 WEEE 규정 및 영국의 WEEE 규정에 의하면 유럽 연합 및 영국에서 판매되는 제품(또는 포장)에는 가위표가 표시된 바퀴 달린 쓰레기통 라벨이 부착되어 있어야 합니다. WEEE 규정에 따라,

가위표가 표시된 바퀴 달린 쓰레기통 라벨이 부착되어 있으면 유럽 연합 및 영국의 고객과 최종 사용자는 전기 전자 장비 또는 부속품을 생활 쓰레기로 폐기해서는 안 됩니다.

유럽 연합 및 영국의 고객 또는 최종 사용자는 현지 장비 공급업체 대리점이나 서비스 센터에 연락해 해당 국가의 쓰레기 수거 시스템에 대한 정보를 참조해야 합니다.

면책고지

본 문서에 수록된 일부 기능, 설비 및 능력은 특정 시스템용으로 적용하거나 사용하도록 라이선스가 부여되지 않을 수 있으며 특정 모바일 가입자 장치의 특성 또는 일부 매개변수의 구성에 따라 달라질 수 있습니다. 자세한 내용은 현지 Motorola Solutions 대리점에 문의하십시오.

© 2022 Motorola Solutions, Inc. All Rights Reserved

제품 안전 및 RF 노출 기준 준수

주의:

본 제품을 사용하기 전에 안전한 사용, RF 에너지에 대한 이해 및 관련 표준과 규정을 준수하기 위한 통제 방법 등이 수록된 RF 에너지 노출 및 제품 안전 설명서(무전기와 함께 제공)를 읽어 주십시오.

청각 안전

음원에 관계없이 시끄러운 소음에 장시간 노출될 경우 청력에 일시적 또는 영구적인 영향을 미칠 수 있습니다. 청력에 영향을 주지 않으려면 무전기 볼륨 수준이 높을수록 보다 짧은 시간 동안 사용해야 합니다. 시끄러운 소음으로 인한 청력 손상은 초기 단계에는 발견되지 않는 경우가 종종 있으므로 손상이 누적될 수 있습니다. 청력 보호하기:

- 작업 시 가능한 한 볼륨을 낮추어 사용합니다.
- 주변 소음이 심한 환경에서만 볼륨을 높이십시오.
- 이어피스를 착용하기 전에 볼륨을 낮추십시오.
- 볼륨을 높여 들을 경우 헤드셋 또는 이어폰의 사용 시간을 제한하십시오.
- 헤드셋 또는 이어폰 없이 무전기를 사용할 경우, 무전기 스피커를 귀 바로 옆에 두지 마십시오.
- 귀의 울림 또는 멍멍함 등의 불편한 증상을 겪은 경우 무전기에서 헤드셋 또는 이어피스 사용을 멈추고 담당 의사에게 청력 검진을 받으십시오. 볼륨 수준을 변경하려면 무전기 제품 안전 안내서 또는 매우 큰 소리(xL) 감독 키트 구성용 CPS(고객 프로그래밍 소프트웨어)를 참조하십시오.

중요 정보

- 0°C(32°F) 이하 또는 45°C(113°F) 이상의 온도에서 액세서리를 충전하지 마십시오.
- 직사광선이나 주차된 차량처럼 예상 온도가 이 범위를 초과할 수 있는 곳에 액세서리를 보관하지 마십시오.
- 완전히 충전된 액세서리를 고온에서 보관하면 내부 배터리의 수명이 영구적으로 감소할 수 있습니다.
- 저온에서는 배터리 수명이 일시적으로 줄어 들 수 있습니다.

- 배터리의 영구적인 용량 손실을 최소화하기 위해 원격 제어 포드는 -10°C(14°F)~30°C(86°F)의 온도에서 보관해야 합니다.



경고:

- 부상을 방지하려면 포드를 분해하거나 구멍을 뚫거나 파손하지 마십시오. 이렇게 하면 배터리가 단락될 수 있습니다.
- 포드를 열이나 화재에 노출하거나 던지지 마십시오.
- 포드를 생활 쓰레기와 함께 버리지 마십시오.
- 오디오 잭과 USB 충전 포트에 물이 들어가지 않도록 하십시오. 오디오 잭과(또는) USB 충전 포트에 물이 들어갈 경우 포드 흔들어서 물을 제거합니다. 사용하지 않을 때에는 오디오 잭과 USB 충전 포트를 먼지 덮개로 항상 막아둡니다.

서비스 및 보증

클립을 제외한 포드는 수리가 불가합니다. 포드는 표준 Motorola Solutions 1년 제한 보증이 적용됩니다.

보증 배제

Motorola Solutions은 제품, 액세서리, 배터리 또는 부품의 설치, 유지 보수 또는 수리를 보증하지 않습니다.

Motorola Solutions은 제품과 함께 연결 또는 사용되지만 Motorola Solutions이 제공 또는 제작하지 않은 (예를 들면 배터리, 충전기, 어댑터, 전원 공급 장치 등) 보조 장비 또는 주변 장치로 인해 발생한 문제 또는 손상에 대해서 어떠한 책임도 지지 않습니다. Motorola Solutions에서 공급하지 않은 보조 또는 주변 장치와 함께 제품을 사용하는 경우, Motorola Solutions은 제품/주변 장치 조합의 작동을 보증하지 않습니다. Motorola Solutions이 이러한 결합에 사용된 본 제품에 결함이 없음이 확인될 경우 보증 청구를 인정하지 않습니다. 제품 분해 시 보증은 즉시 무효화됩니다. Motorola Solutions은 허가 받지 않은 인원이 부적절하게 설치하여 발생하는 어떠한 손상에도 책임을 지지 않습니다.

사용자 공지 사항(FCC 및 IC)

이 장치는 다음 조건에 따라 FCC 규격 제15조와 Industry Canada의 비라이선스 RSS를 준수합니다.

- 유해한 전자파 간섭을 일으키지 않습니다.
- 오작동을 유발하는 전자파 간섭을 비롯한 수신된 간섭을 모두 수용해야 합니다.
- Motorola Solutions의 명시적 승인 없이 본 장치를 변형 또는 개조하면 사용자의 장비 사용 권한이 박탈될 수 있습니다.

공급업체의 적합성 선언서

공급업체의 적합성 선언서

FCC CFR 47 Part 2 Section 2.1077(a)에 따름



책임 당사자

이름: Motorola Solutions, Inc.

주소: 2000 Progress Pkwy, Schaumburg, IL. 60196

전화번호: 1-800-927-2744

제품이 다음과 같음을 선언합니다.

모델 이름: **WP300**

다음 규정을 준수합니다.

FCC Part 15, Subpart B, Section 15.107(a), 15.107(d), 15.109(a)

Class B 디지털 장비

개인용 컴퓨터 주변 기기인 본 장치는 FCC 규정의 Part 15를 준수합니다. 작동은 다음 두 조건에 따릅니다.

- 1 유해한 전자파 간섭을 일으키지 않습니다.
- 2 오작동을 유발하는 전자파 간섭을 비롯한 수신된 간섭을 모두 수용해야 합니다.



참고:

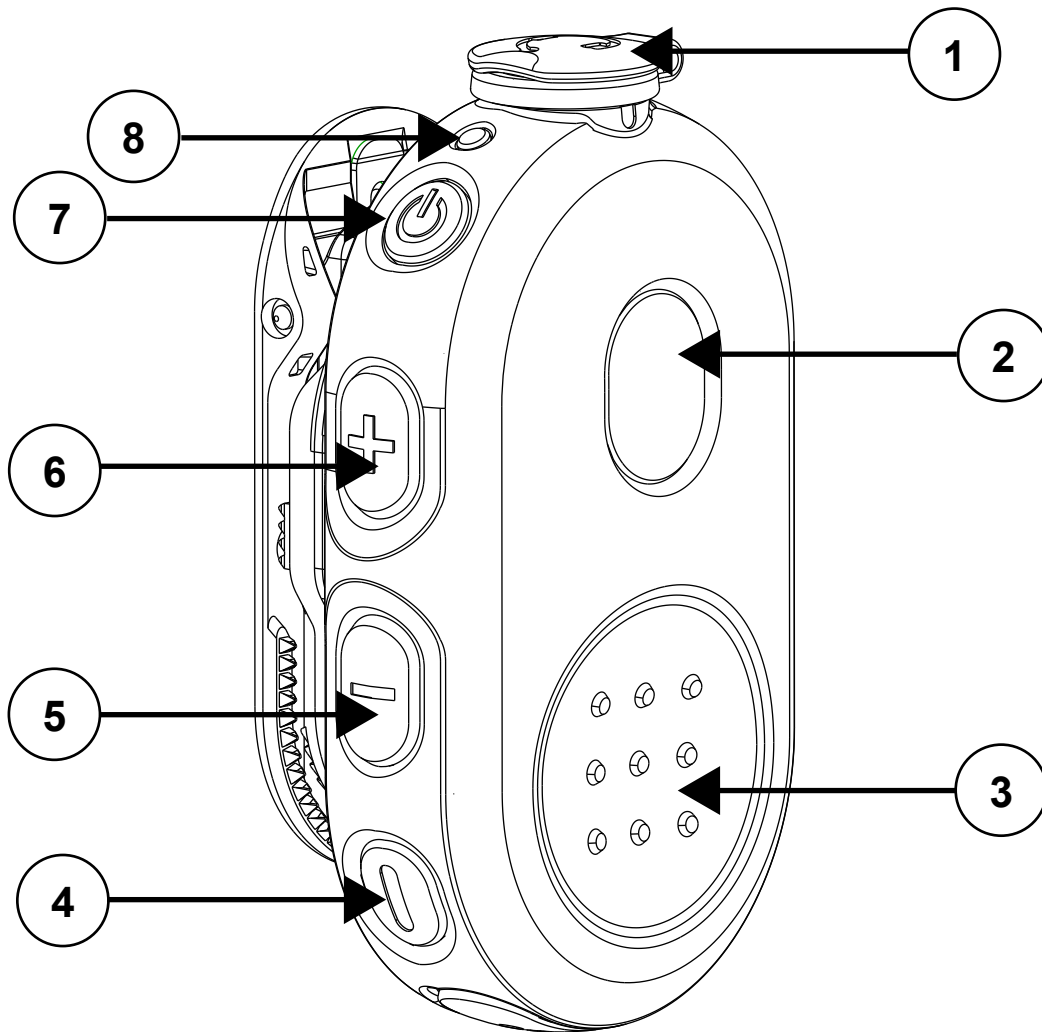
본 장치는 FCC 규격 제15조의 Class B 디지털 장치 관련 규제에 따라 테스트되었으며 이에 적합한 것으로 판정되었습니다. 이러한 규제는 주거 환경에서 사용할 때 발생하는 유해한 전자파 간섭으로부터 보호하기 위해 마련되었습니다. 본 장비는 무선 주파수 에너지를 생성, 사용, 방사하는 제품이므로 지침에 따라 설치하고 사용하지 않을 경우 무선 통신에 유해한 전자파 간섭을 유발할 수 있습니다. 그러나, 특정 방식으로 설치를 하더라도 전자파 간섭이 완전히 방지되는 것은 아닙니다.

본 장비가 라디오나 TV 수신과 간섭을 일으키는 경우 다음 방법 중 하나로 간섭을 수정해 보십시오. 간섭 발생 여부는 장비를 껐다가 켜는 방법으로 확인할 수 있습니다.

- 수신 안테나의 방향이나 위치를 바꾸십시오.
- 수신기와 장비 사이의 거리를 넓히십시오.
- 수신기와 장비를 서로 다른 단자에 꽂으십시오.
- 대리점이나 무전기 또는 TV 전문 기술자의 도움을 받으십시오.

장 1

POD 개요



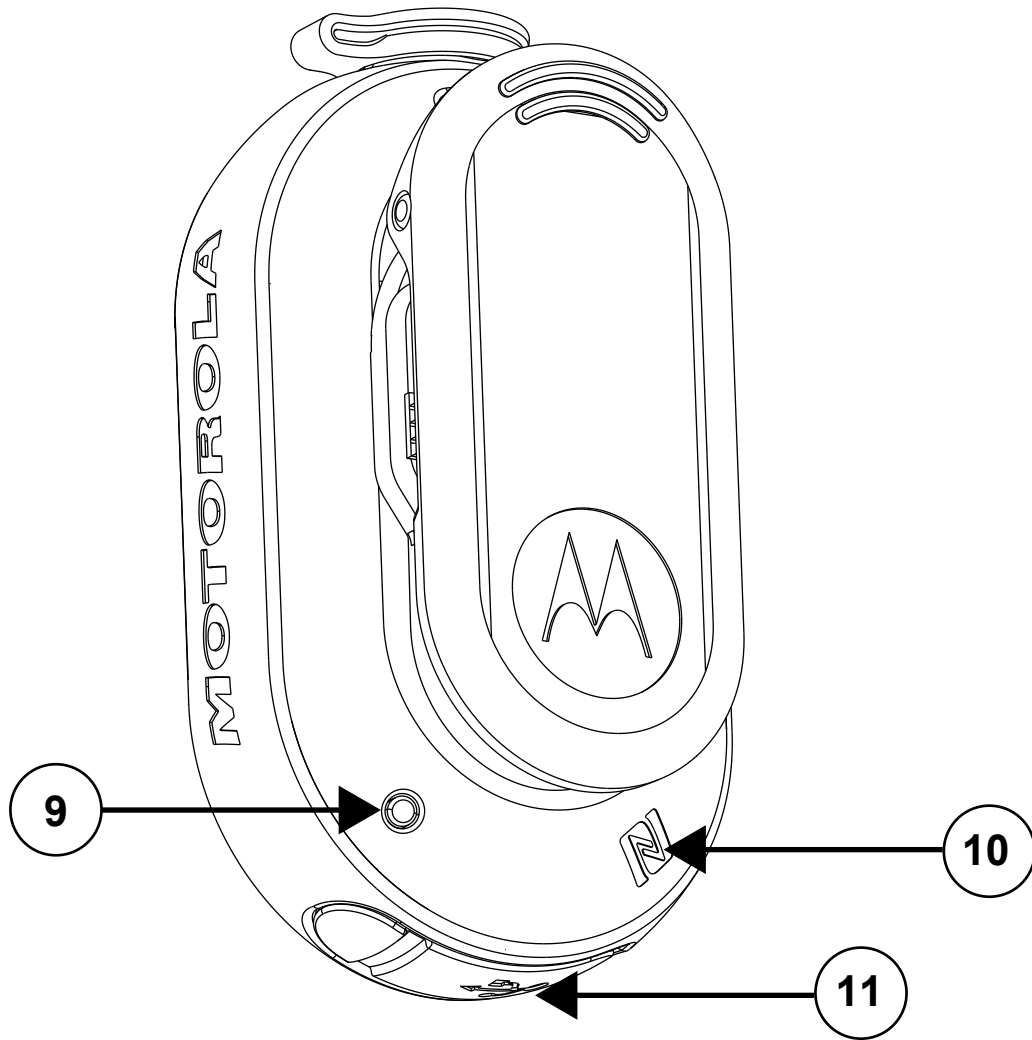



표 1 : 포드 개요 및 설명

라벨	설명
1	오디오 잭
2	호출 버튼/다기능 버튼(MFB)
3	PTT 버튼
4	비상 버튼
5	볼륨 감소
6	볼륨 증가
7	전원 버튼
8	오디오/Bluetooth 표시등
9	전원/배터리 표시등
10	NFC 위치
11	충전 포트

라벨	설명
	참고: 호출 버튼/MFB 및 볼륨 버튼은 단독 실행형 PTT 장치 역할을 할 때는 적용되지 않습니다.

1.1 무전기/장치 호환성 및 비호환성

PMLN8298와 호환되는 무전기 또는 장치 목록:

무전기/장치 호환성

- Kodiak 앱 버전 10.0.x 이상을 이용하는 Evolve 및 BYOD(Android 또는 iOS)
- SLN1000
- TLK 100 시리즈, TLK150
- LEX L11



 **참고:** TLK100, TLK150 및 SLN1000은 PMLN8190, PMLN8077 또는 PMLN8125 이어피스를 사용하는 WP300만 지원합니다. (TLK 장치에 연결된 별도의 Bluetooth 또는 유선 이어피스는 지원되지 않습니다.)

표 2 : 호환 부품 및 액세서리

부품 번호	설명
PMLN8077A ¹	표준 코드 사용 인라인 PTT 이어폰
PMLN8125A ¹	짧은 코드 사용 인라인 PTT 이어폰
PMLN8190A ¹	1선 강화된 투명 튜브 이어폰, 2.5mm 싱글 핀, 일자형
PMLN6246A	무선 PTT(Push-to-Talk) POD용 스위블 클립
PMLN8332A ¹	WP300 장착용 홀스터

-  **참고:**
- 이 액세서리는 Kodiak 광대역 PTT 지원 장치와 페어링할 수 있습니다. 비상 버튼 기능을 활성화하려면 Kodiak에서 비상 기능이 활성화되어 있는지 확인합니다. 설치 지침은 Kodiak 사용 설명서를 참조하십시오.
 - Bluetooth 장치 이름: WP300_xxxx. 문자열 "WP300_xxxx"은(는) Bluetooth 장치 이름입니다. "xxxx"은(는) Bluetooth 주소의 마지막 4자리입니다.
 - MAC 주소는 개별 상자의 위쪽과 벨트 클립 뒤에 있는 QR 코드 안에 있습니다. 추가 MAC 주소 라벨은 개별 상자 안에 있습니다.
 - 새 장치/무전기 및 기능을 지원하려면 WP300 펌웨어를 최신 버전으로 업그레이드해야 합니다.

무전기/장치 비호환성

- Pixel 4 Android 10

¹ 본 액세서리는 별매품입니다.

장 2

시작하기

원격 제어 포드를 사용하는 방법에 대한 기본 정보를 숙지하십시오.

2.1

포드 충전

선수 과정: 충전하기 전에 Pod의 전원을 끄십시오.

절차:

- 1 포드를 충전하려면 USB 충전 케이블을 포드에 연결합니다.
- 2 충전 케이블을 USB 전원에 연결합니다.

표 3 : 충전 표시등

전원 표시	설명
적색으로 빠르게 점멸	충전 오류
빨간색으로 켜짐	충전 중
녹색으로 깜박임	거의 완전히 충전되었습니다.
녹색으로 켜짐	배터리가 완충되었습니다.

2.1.1

배터리 표시

포드가 충전되지 않는 경우 다음 표를 참조하여 표시 내용을 숙지하십시오.

표 4 : 배터리 표시

전원 표시	설명
끄기	배터리 잔량이 중간이거나 많습니다.
빨간색으로 깜박임	배터리 잔량이 낮습니다.

2.1.2

상태 표시

다음 표를 참조하고 오디오 및 Bluetooth 상태 표시를 숙지하십시오.

표 5 : 오디오 및 Bluetooth 상태

오디오/Bluetooth 표시	설명
파란색으로 깜박임	페어링 시작
파란색으로 계속 켜져 있음	연결 끊어짐
파란색으로 2회 깜박임(한 번)	연결됨

오디오/Bluetooth 표시	설명
빨간색으로 켜짐	마이크 음소거됨
녹색으로 깜박임	수신 전화 받기


 **참고:** 마이크가 음소거되며 단독 실행형 PTT 장치 역할을 할 때는 수신 전화 알림이 적용되지 않습니다.

표 6 : 상태 표시

표시등	표시	설명
오디오/Bluetooth	파란색으로 2회 깜박임	연결됨
전원	녹색으로 2회 깜박임	배터리 잔량이 높습니다.
	황색으로 2회 깜박임	배터리 잔량이 중간입니다.


 **참고:** 포드의 세부 상태를 확인하려면 **전원** 버튼을 짧게 누릅니다.

표 7 : 작동 모드 표시

표시등	표시	설명
Bluetooth 및 전원 LED	두 LED가 동시에 빨간색으로 깜박입니다.	작동 모드 오류
	Bluetooth LED가 파란색으로 두 번 깜박이고 동시에 전원 LED가 두 번 깜박입니다.	POD가 어두운 모드로 전환되거나 종료


적절한 작동 모드 설정을 위해 [작동 모드 전환](#)을 참조하십시오.

2.1.3

마이크로 USB 충전기

이 단원에서는 마이크로 USB 충전기를 사용하는 방법에 대한 정보를 제공합니다.

- 마이크로 USB 충전기는 배터리를 쉽게 충전할 수 있는 유용한 포트입니다.
- 장치가 꺼져 있는지 확인합니다.
- 마이크로 USB 케이블을 장치에 있는 마이크로 USB 충전 포트에 꽂습니다.
- USB 충전기를 가까운 곳에 쉽게 닿을 수 있는 벽면 전원 콘센트에 연결합니다.

 **주의:**
연결하고 해제할 때는 USB 커넥터를 잡으십시오. 케이블을 잡아당기지 마십시오.
먼지 커버를 돌리지 마십시오.

2.2

통합 마이크/수신기 헤드셋(이어폰) 장착

절차:

- 1 이어폰을 장착하고 잠그려면 커넥터의 잠금 해제 기호를 맞추고 커넥터를 안으로 밀어 넣은 다음 잠금 기호가 정렬될 때까지 커넥터를 돌립니다.

- 2 이어폰을 잠금 해제하고 분리하려면 커넥터를 돌려 잠금 해제 기호를 전면 하우징의 홈에 맞추고 커넥터를 당겨 빼냅니다.



참고:

무전기나 어댑터와의 연결을 설정하기 전에 이어폰을 부착하거나 분리합니다.

실수로 또는 의도적으로 제거하거나 장치에 이어폰을 연결하여 무선 연결이 끊어지면 빨간색 LED가 빠르게 깜박입니다.

2.3

POD 페어링 또는 페어링 해제

선수 과정: POD를 끕니다.

Bluetooth를 통한 POD 페어링

오디오 모드에서 작동하려면 무선 장치의 이어폰 부분이 POD 부분에 연결되어 있는지 확인합니다. 단독 실행형 PTT 장치로 역할을 하려면 이어폰을 분리합니다.

절차:

- 1 파란색 LED가 깜박일 때까지 **전원** 버튼을 길게 누릅니다.
- 2 호환 장치의 Bluetooth 목록에서 **POD**를 검색하여 선택합니다.

장치가 연결됩니다.



참고: 항상 WP300과 Bluetooth 호스트의 페어링을 해제하고 페어링 프로세스를 시작하기 전에 페어링을 해제하십시오.

NFC를 통해 POD 페어링하기

오디오 모드에서 작동하려면 무선 장치의 이어폰 부분이 POD 부분에 연결되어 있는지 확인합니다. 단독 실행형 PTT 장치로 역할을 하려면 이어폰을 분리합니다.

절차:

- 1 파란색 LED가 깜박일 때까지 **전원** 버튼을 길게 누릅니다.
- 2 POD과 호환 장치의 NFC 위치를 맞춥니다.
- 3 호환되는 장치에서 페어링 성공 표시를 확인합니다.

단독 실행형 PTT 장치를 특정 호스트 장치와 페어링할 때 다음 메시지가 나타납니다. WP300에 연결할 수 없음.

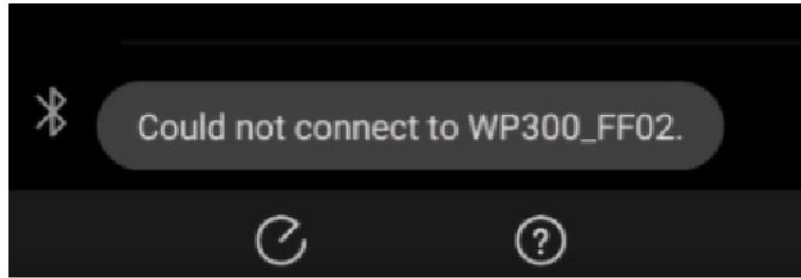
PTT 버튼과 **비상** 버튼이 제대로 작동하는지 확인해야 합니다. 버튼이 작동하면 이 메시지를 무시해도 됩니다. 버튼이 작동하지 않는 경우 Bluetooth를 통해 POD를 장치에 수동으로 페어링해야 합니다.



참고: 항상 WP300과 Bluetooth 호스트의 페어링을 해제하고 페어링 프로세스를 시작하기 전에 페어링을 해제하십시오.

예:

그림 1 : 메시지



POD 페어링 해제

절차:

- 1 이전에 페어링된 호환 장치의 페어링된 장치 목록에서 POD를 제거합니다.
- 2 **전원** 버튼과 **PTT** 버튼을 동시에 길게 누릅니다.
POD에 페어링된 장치가 "지워짐"이 표시됩니다.

2.4

작동 모드 전환

오디오 모드에서 작동하려면 무선 장치의 이어폰 부분이 POD 부분에 연결되어 있는지 확인합니다. 단독 실행형 PTT 장치로 역할을 하려면 이어폰을 분리합니다.

선수 과정: POD를 끕니다.

절차:

- 1 POD가 이전에 페어링된 경우 호환 장치의 페어링된 장치 목록에서 POD를 제거하십시오.
- 2 파란색 LED가 깜박일 때까지 **전원** 버튼과 **PTT** 버튼을 동시에 길게 누릅니다.
- 3 포드를 호환되는 장치에서 페어링합니다.

2.5

어두운 모드로 전환 또는 종료

어두운 모드를 사용하여 무선 장치의 LED를 끌 수 있습니다.

선수 과정: 장치를 켭니다.

절차:

파란색과 녹색 LED가 두 번 깜박일 때까지 **전원** 및 **MFB** 버튼을 동시에 눌러 장치를 어두운 모드로 전환하거나 끕니다.

POD는 LED가 꺼졌음을 알리는 신호음이나 음성 프롬프트를 재생합니다.

전원 버튼을 눌렀을 때 무선 장치에 다음 기능에 대한 LED 표시가 나타나지 않습니다.

- 연결 손실
- 배터리 부족
- 작동 모드 오류

- 상태 표시

2.6

클립 조립

절차:

- 1 클립을 클립 트랙 부분에 수평으로 놓습니다.



- 2 딸깍 소리가 들릴 때까지 클립을 위로 밀니다.



다음은 조립 후 이미지입니다.



2.7 클립 분해

절차:

- 1 클립을 90°(시계 방향/시계 반대 방향) 돌립니다.



- 2 금속 스프링을 들어 올리고 클립을 밀어 뒷면 커버에서 꺼냅니다.



- 3 금속 스프링을 들어 올리는 동안 엄지로 클립을 밀어 뒷면 커버에서 꺼냅니다.





Betriebskritischer drahtloser Fernsteuerungs- Controller, WP300 PMLN8298 Benutzerhandbuch

MAI 2022

© 2022 Motorola Solutions, Inc. All rights reserved



MN007883A01-AE

Inhalt

Einführung in die Accessory Manager-App.....	3
Sicherheit und Recht.....	4
Prüfzeichen.....	4
Hinweise zu geistigem Eigentum und gesetzlichen Bestimmungen.....	4
Produktsicherheit und Einhaltung der HF-Strahlenschutzbestimmungen.....	5
Gehörschutz.....	5
Wichtige Informationen.....	6
Service und Garantie.....	7
Garantiewaiver.....	7
Hinweis an Benutzer (FCC und Industry Canada).....	8
Konformitätserklärung des Lieferanten.....	9
Kapitel 1 : Pod-Übersicht.....	10
1.1 Funkgerät-/Gerätekompatibilität und -inkompatibilität.....	12
Kapitel 2 : Erste Schritte.....	13
2.1 Aufladen des Pods.....	13
2.1.1 Akkuanzeige.....	13
2.1.2 Statusanzeige.....	13
2.1.3 Micro-USB-Ladegerät.....	14
2.2 Verbinden des Headsets mit integriertem Mikrofon/Empfänger (Ohrhörer).....	15
2.3 Koppeln oder Entkoppeln des PODs.....	15
Koppeln des PODs über Bluetooth.....	15
Koppeln des PODs über NFC.....	15
Entkoppeln des PODs.....	16
2.4 Wechseln des Betriebsmodus.....	16
2.5 Starten oder Beenden des Dunkelmodus.....	17
2.6 Zusammenbau der Klemmen.....	17
2.7 Auseinanderbau des Clips.....	18

Einführung in die Accessory Manager-App

Laden Sie die Anwendung Accessory Manager herunter, um zukünftige Software-Upgrades und neue Funktionen zu erhalten.

Es wird empfohlen, vor der ersten Verwendung Accessory Manager zu installieren, um die Zubehör-Firmware auf die neueste Version zu aktualisieren.



Sicherheit und Recht

Dieser Abschnitt enthält die Sicherheits- und rechtlichen Informationen für dieses Produkt.

Learning Experience Portal (LXP) Manual do Usuário e documentação relacionada disponíveis em:
<https://learning.motorolasolutions.com/>

Prüfzeichen



CMIIT ID: 2021DP17747

摩托罗拉系统 (中国) 有限公司

Hinweise zu geistigem Eigentum und gesetzlichen Bestimmungen

Copyright

Die in diesem Dokument beschriebenen Motorola Solutions-Produkte können durch Copyright geschützte Computerprogramme von Motorola Solutions enthalten. Nach den Gesetzen der USA und anderer Staaten sind bestimmte exklusive Rechte an der urheberrechtlich geschützten Software der Firma Motorola Solutions vorbehalten. Demzufolge dürfen urheberrechtlich geschützte Computerprogramme von Motorola Solutions, die zusammen mit den in diesem Dokument beschriebenen Motorola Solutions-Produkten ausgeliefert werden, ohne die vorherige schriftliche Genehmigung von Motorola Solutions weder kopiert noch in jeglicher Form reproduziert werden.

Die Vervielfältigung, Übertragung, Speicherung in einem Abrufsystem oder Übersetzung in eine Sprache oder Computersprache ist für keinen Teil dieses Dokuments in keinerlei Form und durch keinerlei Methode ohne vorherige schriftliche Genehmigung von Motorola Solutions Inc. gestattet.

Marken

MOTOROLA, MOTO, MOTOROLA SOLUTIONS und das stilisierte M-Logo sind Marken oder eingetragene Marken von Motorola Trademark Holdings, LLC und werden unter Lizenz verwendet. Alle anderen Marken sind Eigentum ihrer jeweiligen Inhaber.

Lizenzrechte

Mit dem Kauf von Produkten von Motorola Solutions werden weder ausdrücklich noch stillschweigend, durch Rechtsverwirkung oder auf andere Weise Lizenzen unter dem Copyright, dem Patent oder den Patentanwendungen von Software von Motorola Solutions ausgegeben, außer der Nutzung von gewöhnlichen, nicht exklusiv erteilten, gebührenfreien Lizenzen, die sich aus der Anwendung der Gesetze beim Verkauf eines Produkts ergeben.

Open-Source-Inhalt

Dieses Produkt kann Open-Source-Software enthalten, die unter Lizenz verwendet wird. Vollständige rechtliche Hinweise und Attributionsinformationen zu Open Source finden Sie in den Produktinstallationsmedien.

Richtlinie zu Elektro- und Elektronik-Altgeräten (WEEE) der Europäischen Union (EU) und des Vereinigten Königreichs (UK)



■ Gemäß WEEE-Richtlinie (Waste of Electrical and Electronic Equipment, deutsch Elektro- und Elektronikaltgeräte) der EU und des Vereinigten Königreichs besteht für Elektro- und Elektronikgeräte, die in den Mitgliedsländern der Europäischen Union und dem Vereinigten Königreich in Verkehr gebracht werden, Kennzeichnungspflicht. Die Kennzeichnung erfolgt durch ein Etikett mit einer durchgestrichenen Mülltonne, das am Produkt selbst oder an der Verpackung angebracht wird. Wie in der WEEE-Richtlinie festgelegt, bedeutet diese Kennzeichnung, dass Kunden und Endverbraucher in EU und EU-Ländern elektrische und elektronische Geräte und Zubehör nicht mit dem Haushaltsmüll entsorgen sollten.

Endverbraucher in den Mitgliedsländern der Europäischen Union und dem Vereinigten Königreich sind angehalten, bei ihrem lokalen Händler oder beim Kundendienst des Herstellers Informationen zum Rücknahmesystem ihres Landes einzuholen.

Haftungsausschluss

Beachten Sie, dass bestimmte Funktionen, Eigenschaften und Möglichkeiten, die in diesem Dokument beschrieben werden, für ein bestimmtes System möglicherweise nicht gelten oder nicht lizenziert sind oder von den Eigenschaften bestimmter mobiler Endgeräte (Funkgeräte) oder von der Konfiguration bestimmter Parameter abhängen können. Wenden Sie sich für weitere Informationen an Ihren Ansprechpartner von Motorola Solutions.

© 2022 Motorola Solutions, Inc. Alle Rechte vorbehalten

Produktsicherheit und Einhaltung der HF-Strahlenschutzbestimmungen

VORSICHT:

Bevor Sie dieses Produkt verwenden, lesen Sie das Handbuch zur HF-Energiestrahlung und Produktsicherheit, das im Lieferumfang des Funkgeräts enthalten ist. Das Handbuch enthält Anweisungen für die sichere Verwendung sowie Informationen zum Gefahrenbewusstsein und zur Risikovermeidung gemäß anwendbaren Normen und Vorschriften in Bezug auf HF-Energie.

Gehörschutz

Wenn Sie längere Zeit einem hohen Lärmpegel ausgesetzt sind, kann Ihr Gehör vorübergehend oder dauerhaft Schaden nehmen. Je höher die Lautstärke des Funkgeräts, desto schneller könnte Ihr Gehör beeinträchtigt werden. Eine Schädigung des Gehörs durch einen hohen Lärmpegel wird oft nicht rechtzeitig erkannt und kann eine kumulative Wirkung haben. So schützen Sie Ihr Gehör:

- Verwenden Sie die niedrigste Lautstärke, die für Ihre Arbeit erforderlich ist.
- Erhöhen Sie die Lautstärke nur, wenn Sie sich in lauten Umgebungen befinden.
- Verringern Sie die Lautstärke, bevor Sie das Headset tragen.
- Achten Sie darauf, dass Sie Headsets oder Ohrhörer bei hohen Lautstärken nur eine begrenzte Zeit lang verwenden.
- Bei Verwendung des Funkgeräts ohne Headset oder Ohrhörer dürfen Sie die Lautsprecher des Funkgeräts nicht direkt an Ihre Ohren halten.
- Wenn Sie Hörbeschwerden haben, ein Klingeln in den Ohren vernehmen oder Gespräche nur gedämpft wahrnehmen, sollten Sie die Wiedergabe über Ihr Funkgerät mit Headset oder Ohrhörer abbrechen und Ihr Gehör von einem Arzt überprüfen lassen. Informationen zum Ändern der

Lautstärke finden Sie in der Broschüre zur Produktsicherheit des Funkgeräts oder in der Customer Programming Software (CPS) für extralauter (xL) Überwachungs-Konfigurationen.

Wichtige Informationen

- Laden Sie das Zubehör nicht bei Temperaturen unter 0 °C (32 °F) oder über 45 °C (113 °F) auf.
- Lagern Sie Ihr Zubehör nicht in direktem Sonnenlicht oder an Orten, an denen die zu erwartende Temperatur diese Werte überschreitet, z. B. in einem geparkten Auto.
- Die Lagerung von vollständig aufgeladenem Zubehör bei hohen Temperaturen kann die Laufzeit des integrierten Akkus dauerhaft verringern.
- Die Akkulaufzeit kann bei niedrigen Temperaturen vorübergehend kürzer werden.
- Der Fernsteuerungs-Pod sollte bei Temperaturen zwischen -10 °C (14 °F) und 30 °C (86 °F) gelagert werden, um einen dauerhaften Verlust der Akkukapazität zu minimieren.



WARNUNG:

- Um Verletzungen zu vermeiden, zerlegen, durchstechen oder zerdrücken Sie den Pod nicht, da dies zu einem Kurzschluss der Batterie führen kann.
- Setzen Sie den Pod nicht Hitze oder Feuer aus.
- Entsorgen Sie den Pod nicht im Hausmüll.
- Füllen Sie die Audiobuchse und den USB-Ladeanschluss nicht mit Wasser. Wenn Wasser in die Audiobuchse und/oder den USB-Ladeanschluss gelangt, entfernen Sie das Wasser, indem Sie den Pod schütteln. Decken Sie die Audiobuchse und den USB-Ladeanschluss immer mit einer Staubschutzkappe ab, wenn sie nicht verwendet werden.

Service und Garantie

Mit Ausnahme des Clips kann der Pod nicht repariert werden. Der Pod ist durch die normale einjährige beschränkte Garantie von Motorola Solutions abgedeckt.

Garantieausschluss

Motorola Solutions übernimmt keine Garantie für die Installation oder Wartung des Produkts, des Zubehörs, der Akkus oder für Teile.

Motorola Solutions übernimmt keinerlei Haftung für Probleme oder Schäden, die durch Zusatzgeräte oder Peripheriegeräte verursacht werden (zu den spezifischen Beispielen gehören unter anderem Akkus, Ladegeräte, Adapter und Netzteile), die nicht von Motorola Solutions bereitgestellt oder hergestellt werden und an dem Produkt angebracht sind oder mit diesem verwendet werden. Wenn das Produkt mit Zusatz- oder Peripheriegeräten verwendet wird, die nicht von Motorola Solutions bereitgestellt werden, übernimmt Motorola Solutions keine Garantie für den Betrieb der Kombination aus Produkt und Peripheriegerät. Motorola Solutions erkennt keine Garantieansprüche an, wenn das Produkt in einer solchen Kombination verwendet wird, und von Motorola Solutions festgestellt wird, dass kein Fehler mit dem Produkt vorliegt. Durch Öffnen oder Demontieren des Produkts erlischt die Garantie sofort. Motorola Solutions lehnt insbesondere jegliche Haftung für Schäden ab, die durch unsachgemäße Installation durch nicht autorisiertes Personal verursacht werden.

Hinweis an Benutzer (FCC und Industry Canada)

Dieses Gerät erfüllt die Anforderungen von Abschnitt 15 der FCC-Richtlinien die lizenzfreien RSS-Standards von Industry Canada, wenn die folgenden Bedingungen erfüllt sind:

- Das Gerät darf keine schädlichen Interferenzen verursachen.
- Das Gerät muss alle empfangenen Interferenzen annehmen, einschließlich Interferenzen, die zu einem unerwünschten Betrieb führen können.
- Jegliche Änderungen am Gerät, die nicht ausdrücklich von Motorola Solutions genehmigt wurden, können dazu führen, dass dem Benutzer die Erlaubnis für den Gebrauch entzogen wird.

Konformitätserklärung des Lieferanten

Konformitätserklärung des Lieferanten

Gemäß FCC CFR 47 Teil 2 Abschnitt 2.1077(a)



Verantwortliche Partei

Name: Motorola Solutions, Inc.

Adresse: 2000 Progress Pkwy, Schaumburg, IL. 60196

Telefonnummer: 1-800-927-2744

Erklärt hiermit, dass das Produkt:

Modellname: **WP300**

den folgenden Bestimmungen entspricht:

FCC Teil 15, Unterteil B, Abschnitt 15.107(a), 15.107(d) und Abschnitt 15.109(a)

Digitales Gerät der Klasse B

Als PC-Peripheriegerät erfüllt dieses Gerät die Anforderungen von Teil 15 der FCC-Richtlinien. Der Betrieb des Geräts unterliegt den beiden folgenden Bedingungen:

- 1 Das Gerät darf keine schädlichen Interferenzen verursachen.
- 2 Das Gerät muss alle empfangenen Interferenzen annehmen, einschließlich Interferenzen, die zu einem unerwünschten Betrieb führen können.



HINWEIS:

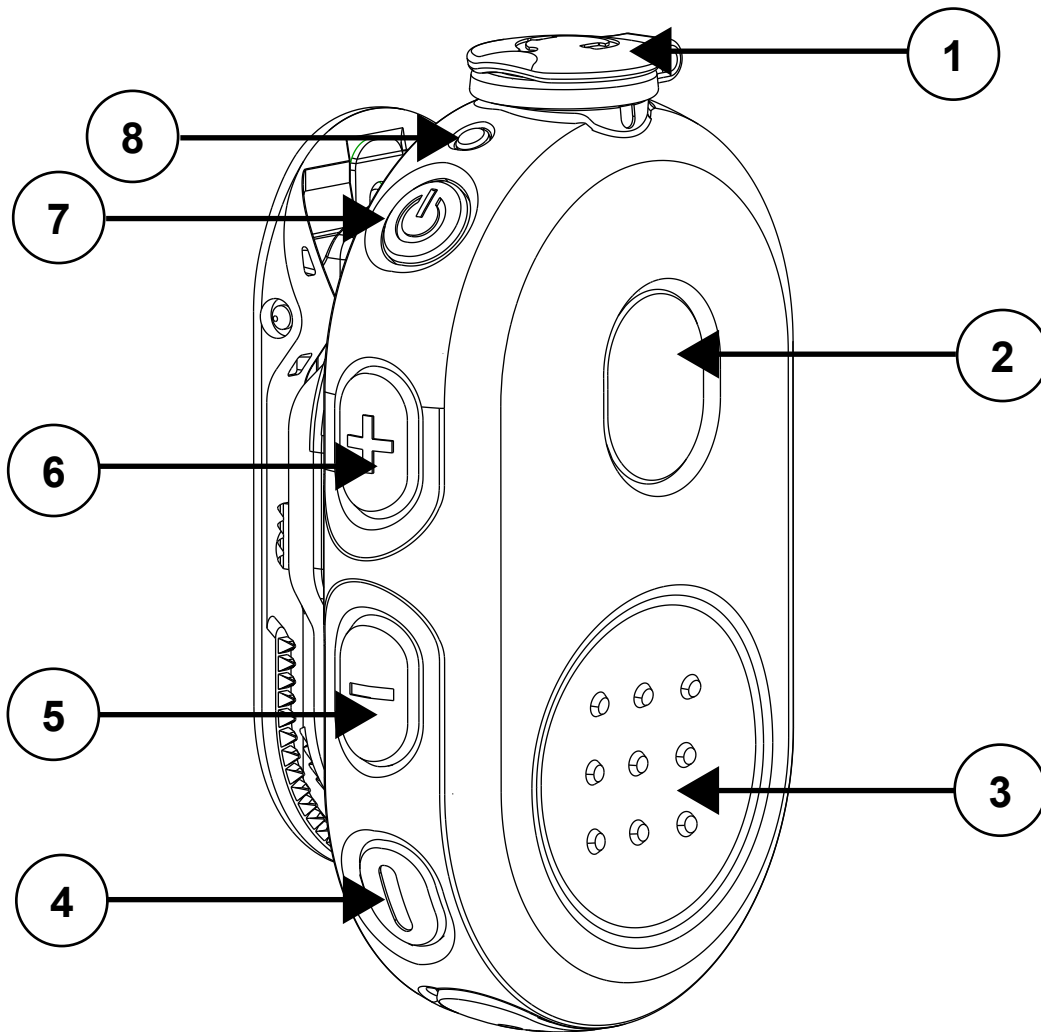
Dieses Gerät wurde geprüft und erfüllt die Grenzwerte für ein digitales Gerät der Klasse B laut Teil 15 der FCC-Richtlinien. Diese Grenzwerte wurden festgelegt, um einen angemessenen Schutz vor Störungen zu gewährleisten, wenn das Gerät in einer Wohngegend eingesetzt wird. Dieses Gerät erzeugt und verwendet Hochfrequenzstrahlung und kann diese ausstrahlen. Dies kann sich, sofern das Gerät nicht gemäß der Bedienungsanleitung angeschlossen und eingesetzt wird, störend auf andere Funkfrequenzen auswirken. Eine Garantie, dass bei einer bestimmten Anlage keine Störungen auftreten, kann nicht gegeben werden.

Falls dieses Gerät den Funk- oder Fernsehempfang negativ beeinflusst (dies lässt sich durch Aus- und Einschalten des Geräts überprüfen), sollten folgende Abhilfemaßnahmen ergriffen werden:

- Neuausrichtung oder Umstellung der Empfangsantenne.
- Vergrößerung des Abstands zwischen Gerät und Empfänger.
- Anschluss des Geräts an eine andere Steckdose als die, an die der Empfänger angeschlossen ist.
- Beratung durch den Händler oder einen Funk- oder Fernsehtechniker.

Kapitel 1

Pod-Übersicht



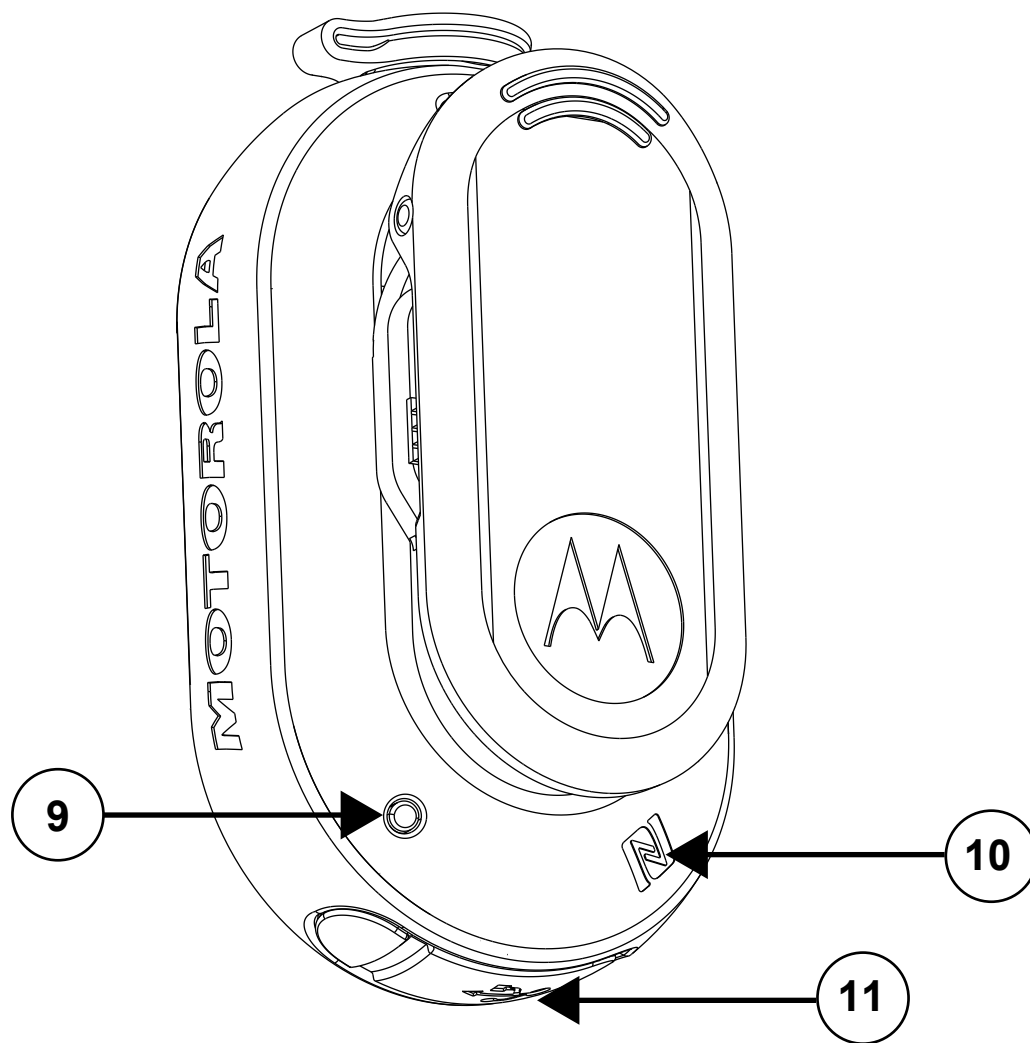



Tabelle 1: Pod – Übersicht und Beschreibung

Kennzeichnung	Beschreibung
1	Audiobuchse
2	Ruftaste/Multifunktionstaste (MFB)
3	PTT-Taste
4	Notruftaste
5	Lautstärke niedriger
6	Lautstärke höher
7	Ein-/Aus-Taste
8	Audio-/Bluetooth-Anzeige
9	Akkuanzeige
10	NFC-Standort
11	Ladegerät-Anschluss

Kennzeichnung	Beschreibung
 HINWEIS: Ruftaste/MFB und Lautstärketasten stehen nicht zur Verfügung, wenn der Pod als eigenständiges PTT-Gerät verwendet wird.	

1.1

Funkgerät-/Gerätekompatibilität und -inkompatibilität

Liste der Funkgeräte oder Geräte, die mit PMLN8298 kompatibel sind:

Funkgerät-/Gerätekompatibilität

- Evolve und BYOD (Android oder iOS) mit Kodiak App Version 10.0.x und höher
- SLN1000
- Serie TLK 100, TLK150
- LEX L11



HINWEIS:

TLK100, TLK150 und SLN1000 unterstützen WP300 nur mit den Ohrhörern PMLN8190, PMLN8077 oder PMLN8125. (Separate Bluetooth- oder kabelgebundene Ohrhörer, die an das TLK-Gerät angeschlossen werden, werden nicht unterstützt.)

Tabelle 2: Kompatible Teile und Zubehör

Teilenummer	Beschreibung
PMLN8077A ¹	Inline-PTT-Ohrhörer mit Standardkabel
PMLN8125A ¹	Inline-PTT-Ohrhörer mit kurzem Kabel
PMLN8190A ¹	Erweiterter 1-Draht-Ohrhörer mit durchsichtigem Schlauch, 2,5 mm Einzelpin, gerade
PMLN6246A	Drehclip für drahtlose Push-to-Talk-PODs
PMLN8332A ¹	WP300 fest installiertes Holster



HINWEIS:

- Dieses Zubehör kann mit einem Kodiak-Breitband-PTT-fähigen Gerät gekoppelt werden. Um die Funktion der Notruftaste zu aktivieren, stellen Sie sicher, dass die Notruf Funktion am Kodiak aktiviert ist. Anweisungen zur Einrichtung finden Sie im Kodiak-Benutzerhandbuch.
- Bluetooth-Gerätename: WP300_xxxx. Die Zeichenfolge „WP300_xxxx“ ist der Bluetooth-Gerätename. „xxxx“ sind die letzten vier Ziffern der Bluetooth-Adresse.
- Die MAC-Adresse befindet sich auf der Oberseite der einzelnen Box und im QR-Code hinter dem Gürtelclip. Zusätzliche MAC-Adressetiketten sind in der jeweiligen Box enthalten.
- Aktualisieren Sie die Firmware des WP300 auf die neueste Version, um neue Geräte/ Funkgeräte und Funktionen zu unterstützen.

Funkgerät-/Geräteinkompatibilität

- Pixel 4 Android 10

¹ Diese Zubehörteile sind separat erhältlich.

Kapitel 2

Erste Schritte

Machen Sie sich mit den grundlegenden Informationen zur Verwendung des Fernsteuerungs-Pods vertraut.

2.1

Aufladen des Pods

Voraussetzungen:

Schalten Sie den Pod vor dem Aufladen aus.

Vorgehensweise:

- 1 Schließen Sie das USB-Ladekabel an den Pod an, um den Pod aufzuladen.
- 2 Schließen Sie das Ladekabel an eine USB-Stromquelle an.

Tabelle 3: Ladeanzeige

Betriebsanzeige	Beschreibung
Blinkt schnell rot	Ladefehler
Durchgehend rot	Lädt
Blinkt grün	Fast vollständig aufgeladen
Durchgehend grün	Akku ist vollständig aufgeladen

2.1.1

Akkuanzeige

Wenn der Pod nicht aufgeladen wird, können Sie die Anzeige anhand der folgenden Tabelle verstehen.

Tabelle 4: Akkuanzeige

Betriebsanzeige	Beschreibung
Aus	Der Akkustand ist mittel oder hoch.
Blinkt rot	Akku ist fast leer.

2.1.2

Statusanzeige

In der folgenden Tabelle finden Sie Informationen zur Audio- und Bluetooth-Statusanzeige.

Tabelle 5: Audio- und Bluetooth-Status

Audio-/Bluetooth-Anzeige	Beschreibung
Blinkt blau	Kopplung eingeben

Audio-/Bluetooth-Anzeige	Beschreibung
Durchgehend blau	Nicht verbunden
Doppeltes blaues Blinken (einmal)	Verbunden
Durchgehend rot	Mikrofon stummgeschaltet
Blinkt grün	Eingehender Ruf wird empfangen


 **HINWEIS:**
Das Mikrofon ist stummgeschaltet, und die Anzeige eingehender Rufe ist nicht verfügbar, wenn als eigenständiges PTT-Gerät verwendet.

Tabelle 6: Statusanzeige

Anzeige	Anzeige	Beschreibung
Audio/Bluetooth	Doppeltes blaues Blinken	Verbunden
Leistung	Doppeltes grünes Blinken	Akku ist voll
	Doppeltes gelbes Blinken	Akku ist halb voll


 **HINWEIS:**
Um den Detailstatus des Pods zu ermitteln, drücken Sie kurz die **Ein-/Aus**-Taste.

Tabelle 7: Betriebsmodusanzeige

Anzeige	Anzeige	Beschreibung
Bluetooth- und Stromversorgungs-LED	Beide LEDs blinken gleichzeitig rot.	Betriebsmodusfehler
	Die Bluetooth-LED blinkt zweimal blau, und die Power-LED blinkt gleichzeitig zweimal grün.	POD wechselt in den Dunkelmodus oder verlässt ihn.

Informationen zur richtigen Einstellung des Betriebsmodus finden Sie unter [Wechseln des Betriebsmodus](#).

2.1.3

Micro-USB-Ladegerät

Dieser Abschnitt enthält Informationen zur Verwendung des Micro-USB-Ladegeräts.

- Mit dem Micro-USB-Ladegerät können Sie Ihren Akku einfach aufladen.
- Vergewissern Sie sich, dass das Gerät ausgeschaltet ist.
- Schließen Sie das Micro-USB-Kabel an den Micro-USB-Ladeanschluss an Ihrem Gerät an.
- Schließen Sie das USB-Ladegerät an eine nahe gelegene und leicht zugängliche Steckdose an.



VORSICHT:

Halten Sie den USB-Anschluss fest, wenn Sie ihn an- und abschließen. Ziehen Sie nicht am Kabel.

Verdrehen Sie die Staubschutzabdeckung nicht.

2.2

Verbinden des Headsets mit integriertem Mikrofon/Empfänger (Ohrhörer)

Vorgehensweise:

- 1 Richten Sie zum Anbringen und Verriegeln des Ohrhörers das Entriegelungssymbol auf den Anschluss aus, drücken Sie den Stecker herein, und drehen Sie den Stecker, bis das Verriegelungssymbol ausgerichtet ist.
- 2 Zum Entriegeln und Abnehmen des Ohrhörers drehen Sie den Stecker so, dass das Entriegelungssymbol an der Vertiefung auf dem Gehäusevorderteil ausgerichtet ist, und ziehen Sie den Stecker heraus.



HINWEIS:

Schließen Sie das Headset an, oder entfernen Sie es, bevor Sie die Verbindung mit dem Funkgerät oder Adapter herstellen.

Falls die drahtlose Verbindung getrennt wird, wenn der Ohrhörer versehentlich oder absichtlich entfernt oder am Gerät angebracht wurde, blinkt die rote LED schnell.

2.3

Koppeln oder Entkoppeln des PODs

Voraussetzungen:

Schalten Sie den POD aus.

Koppeln des PODs über Bluetooth

Stellen Sie sicher, dass der Ohrhörer des drahtlosen Geräts an den POD angeschlossen ist, damit er im Audiomodus funktioniert. Entfernen Sie den Ohrhörer, um es als eigenständiges PTT-Gerät zu nutzen.

Vorgehensweise:

- 1 Halten Sie die **Ein/Aus**-Taste gedrückt, bis die blaue LED blinkt.
- 2 Suchen und wählen Sie im kompatiblen Gerät **POD** aus der Bluetooth-Liste aus.

Das Gerät ist verbunden.



HINWEIS:

Trennen Sie das WP300 immer vom Bluetooth-Host, und löschen Sie die Kopplung, bevor Sie einen Kopplungsvorgang starten.

Koppeln des PODs über NFC

Stellen Sie sicher, dass der Ohrhörer des drahtlosen Geräts an den POD angeschlossen ist, damit er im Audiomodus funktioniert. Entfernen Sie den Ohrhörer, um es als eigenständiges PTT-Gerät zu nutzen.

Vorgehensweise:

- 1 Halten Sie die **Ein/Aus**-Taste gedrückt, bis die blaue LED blinkt.
- 2 Richten Sie die NFC-Bereiche auf dem POD und den kompatiblen Geräten aus.
- 3 Überprüfen Sie das kompatible Gerät auf erfolgreiche Kopplung.

Bei der Kopplung eines eigenständigen PTT-Geräts mit bestimmten Host-Geräten wird die folgende Meldung angezeigt: `Verbindung zu WP300 konnte nicht hergestellt werden.`

Sie müssen überprüfen, ob die **PTT**-Taste und die **Notruf**-Taste ordnungsgemäß funktionieren. Wenn die Tasten funktionieren, können Sie diese Meldung ignorieren. Wenn die Tasten nicht funktionieren, müssen Sie den POD manuell über Bluetooth mit dem Gerät koppeln.

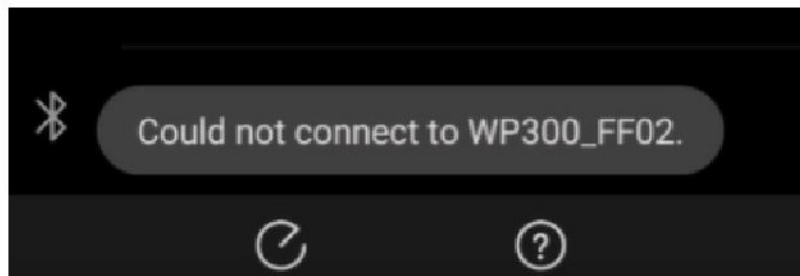


HINWEIS:

Trennen Sie das WP300 immer vom Bluetooth-Host, und löschen Sie die Kopplung, bevor Sie einen Kopplungsvorgang starten.

Beispiel:

Abbildung 1: Meldung



Entkoppeln des PODs

Vorgehensweise:

- 1 Entfernen Sie den POD aus der Liste der gekoppelten Geräte auf dem zuvor gekoppelten kompatiblen Gerät.
- 2 Halten Sie die **Ein/Aus**- und die **PTT**-Taste gleichzeitig gedrückt.
Der POD zeigt an, dass das gekoppelte Gerät „gelöscht“ wurde.

2.4

Wechseln des Betriebsmodus

Stellen Sie sicher, dass der Ohrhörer des drahtlosen Geräts an den POD angeschlossen ist, damit er im Audiomodus funktioniert. Entfernen Sie den Ohrhörer, um es als eigenständiges PTT-Gerät zu nutzen.

Voraussetzungen:

Schalten Sie den POD aus.

Vorgehensweise:

- 1 Entfernen Sie den POD aus der Liste der gekoppelten Geräte auf dem kompatiblen Gerät, wenn der POD zuvor gekoppelt wurde.
- 2 Halten Sie die Tasten **Ein/Aus** und **PTT** gleichzeitig gedrückt, bis die blaue LED blinkt.
- 3 Koppeln Sie den POD mit dem kompatiblen Gerät.

2.5

Starten oder Beenden des Dunkelmodus

Im Dunkelmodus können Sie die LEDs eines drahtlosen Geräts ausschalten.

Voraussetzungen:

Schalten Sie das Gerät ein.

Vorgehensweise:

Schalten Sie das Gerät in den oder aus dem Dunkelmodus, indem Sie die **Ein-/Aus-** und die **MFB**-Taste gleichzeitig drücken, bis die blaue und die grüne LED zweimal blinken.

Der POD gibt einen Ton oder eine Sprachansage aus, um Sie darauf hinzuweisen, dass die LEDs ausgeschaltet sind.

Das drahtlose Gerät zeigt beim Drücken der **Ein-/Aus**-Taste keine LED-Anzeige für die folgenden Funktionen an:

- Verlorene Verbindung
- Akku fast leer
- Betriebsmodusfehler
- Statusanzeige

2.6

Zusammenbau der Klemmen

Vorgehensweise:

- 1 Positionieren Sie die Klemme horizontal in der Klemmenschiene.



- 2 Schieben Sie die Klemme nach oben, bis sie hörbar einrastet.



Das folgende Bild zeigt das Objekt nach dem Zusammenbau.



2.7

Auseinanderbau des Clips

Vorgehensweise:

- 1 Drehen Sie die Klemme um 90° (im/gegen den Uhrzeigersinn).



- 2 Heben Sie die Metallfeder an, und schieben Sie die Klemme aus der hinteren Abdeckung.



- 3 Schieben Sie die Klemme mit dem Daumen aus der hinteren Abdeckung, während Sie die Metallfeder anheben.





Manual del usuario de WP300 PMLN8298, control remoto inalámbrico de operaciones críticas

MAYO 2022

© 2022 Motorola Solutions, Inc. All rights reserved



MN007883A01-AE

Contenido

Introducción a la aplicación Accessory Manager.....	3
Protección e información legal.....	4
Marcas de certificación.....	4
Propiedad intelectual y avisos normativos.....	4
Seguridad del producto y cumplimiento de exposición a RF.....	5
Protección acústica.....	5
Información importante.....	6
Servicio y garantía.....	7
Exclusión de garantía.....	7
Nota para los usuarios (FCC e Industry Canada).....	8
Declaración de conformidad del distribuidor.....	9
Capítulo 1 : Descripción general del POD.....	11
1.1 Compatibilidad e incompatibilidad del radio/dispositivo.....	13
Capítulo 2 : Guía de introducción.....	15
2.1 Carga del POD.....	15
2.1.1 Indicación de batería.....	15
2.1.2 Indicación de estado.....	15
2.1.3 Cargador micro USB.....	16
2.2 Conexión de audífonos con micrófono/receptor integrados (auricular).....	17
2.3 Emparejamiento o desemparejamiento del POD.....	17
Emparejamiento del POD a través de Bluetooth.....	17
Emparejamiento del POD a través de NFC.....	17
Desemparejamiento del POD.....	18
2.4 Cambio del modo de funcionamiento.....	18
2.5 Ingreso o salida del modo oscuro.....	18
2.6 Emparejamiento de los clips.....	19
2.7 Desmontaje del clip.....	20

Introducción a la aplicación Accessory Manager

Descargue e instale la aplicación Accessory Manager para futuras actualizaciones de software y nuevas versiones de funciones.

Se recomienda instalar Accessory Manager para actualizar el firmware de los accesorios a la versión más reciente por primera vez antes de su uso.



Protección e información legal

Esta sección contiene información sobre la protección y los aspectos legales de este producto.

Learning Experience Portal (LXP) Manual do Usuário e documentação relacionada disponíveis em:
<https://learning.motorolasolutions.com/>

Marcas de certificación



CMIIT ID: 2021DP17747

摩托罗拉系统 (中国) 有限公司

Propiedad intelectual y avisos normativos

Derechos de autor

Entre los productos Motorola Solutions que se describen en esta documentación, se pueden incluir programas informáticos de Motorola Solutions que están protegidos por derechos de autor. Las leyes de Estados Unidos y de otros países preservan para Motorola Solutions ciertos derechos exclusivos sobre los programas informáticos protegidos por derechos de autor. Del mismo modo, los programas informáticos protegidos por derechos de autor de Motorola Solutions incluidos en los productos de Motorola Solutions descritos en este manual no podrán ser copiados ni reproducidos de ninguna forma sin el expreso consentimiento por escrito de Motorola Solutions.

Ninguna parte de este documento se puede reproducir, transmitir, almacenar en un sistema recuperable, ni traducir a ningún idioma ni lenguaje informático, de ninguna forma ni por ningún medio, sin la autorización expresa por escrito de Motorola Solutions, Inc.

Marcas comerciales

MOTOROLA, MOTO, MOTOROLA SOLUTIONS y el logotipo de la M estilizada son marcas comerciales o marcas comerciales registradas de Motorola Trademark Holdings, LLC y se utilizan bajo licencia. Todas las demás marcas comerciales pertenecen a sus respectivos propietarios.

Derechos de licencia

No se considerará que la compra de productos Motorola Solutions otorgue, en forma directa, implícita, por exclusión ni de ningún otro modo, una licencia sobre los derechos de autor, patentes o solicitudes de patentes de Motorola Solutions, excepto la licencia normal, no exclusiva y libre de regalías de uso que surge de las consecuencias legales de la venta de un producto.

Contenido de código abierto

Este producto puede contener un software de código abierto utilizado bajo licencia. Consulte los medios de instalación del producto para obtener el contenido completo de Atribución y Avisos legales de código abierto.

Directiva de Residuos de Aparatos Eléctricos y Electrónicos (RAEE) de la Unión Europea (UE) y el Reino Unido (UK)



En la Directiva de RAEE de la Unión Europea y el Reino Unido, se exige que los productos que se venden en los países de la UE y en el Reino Unido tengan la etiqueta de un bote de basura tachado sobre el producto (o en el paquete en algunos casos). Como se define en la Directiva de RAEE, esta etiqueta con un bote de basura tachado indica que los clientes y los usuarios finales en los países de la UE y el Reino Unido no deben arrojar equipos ni accesorios eléctricos y electrónicos en la basura doméstica.

Los clientes o los usuarios finales en los países de la UE y en el Reino Unido deben comunicarse con su representante distribuidor de equipos o centro de servicio local para obtener información sobre el sistema de recolección de residuos de su país.

Descargo de responsabilidad

Tenga en cuenta que determinadas funciones, instalaciones y capacidades que se describen en este documento podrían no ser aplicables o no tener licencia para su uso en un sistema específico, o bien pueden ser dependientes de las características de una unidad de suscriptor móvil específico o la configuración de ciertos parámetros. Comuníquese con un representante de Motorola Solutions para obtener más información.

© 2022 Motorola Solutions, Inc. Todos los derechos reservados.

Seguridad del producto y cumplimiento de exposición a RF

PRECAUCIÓN:

Antes de utilizar este producto, lea la Guía de exposición a energía de radiofrecuencia y seguridad del producto que se incluye con el radio, la que contiene instrucciones para el uso seguro y el conocimiento y control de la energía de radiofrecuencia (RF), con el fin de cumplir con los estándares y las regulaciones correspondientes.

Protección acústica

La exposición a ruidos fuertes de cualquier fuente durante períodos prolongados podría afectar la audición de manera temporal o permanente. Cuanto más alto esté el volumen del radio, más rápido se verá afectada la audición. En ocasiones, el daño a la audición provocado por ruidos fuertes es indetectable en un principio y puede tener efecto acumulativo. Para proteger la audición, realice las siguientes acciones:

- Utilice el volumen más bajo que necesite para hacer su trabajo.
- Aumente el volumen solo si se encuentra en un ambiente ruidoso.
- Reduzca el volumen antes de usar el auricular.
- Restrinja el tiempo durante el cual usa los auriculares o los audífonos a volumen alto.
- Cuando use el radio sin los auriculares o audífonos, no ponga el altavoz del radio directamente en la oreja.
- Si experimenta molestias para escuchar, zumbido en los oídos o no escucha bien cuando le hablan, debe dejar de escuchar el radio a través del audífono o auricular y pedirle a un médico que examine su audición. Para cambiar el nivel de volumen, consulte el folleto de protección del producto de radio o el software de programación para el cliente (CPS) a fin de obtener información sobre la configuración del kit de vigilancia con volumen extra fuerte (xL).

Información importante

- No cargue el accesorio a temperaturas inferiores a 0 °C (32 °F) ni superiores a 45 °C (113 °F).
- No almacene el accesorio en lugares con exposición directa a la luz solar o donde las temperaturas puedan sobrepasar este margen como, por ejemplo, dentro de un automóvil estacionado.
- Si guarda los accesorios con una carga completa a altas temperaturas, puede reducir de manera permanente la vida útil de la batería interna.
- La vida útil de la batería puede reducirse de manera temporal a bajas temperaturas.
- El POD de control remoto se debe almacenar a temperaturas entre -10 °C (14 °F) y 30 °C (86 °F) para reducir la pérdida permanente de capacidad de la batería.



ADVERTENCIA:

- Para evitar lesiones, no desmonte, perforo ni aplaste el POD, ya que esta acción puede provocar un cortocircuito en la batería.
- No exponga ni arroje el POD al calor o al fuego.
- No deseche el POD en la basura doméstica.
- No llene de agua el conector de audio ni el puerto de carga USB. Si entra agua en el conector de audio o en el puerto de carga USB, agite el POD para sacar el agua. Cubra siempre el conector de audio y el puerto de carga USB con una tapa antipolvo cuando no los utilice.

Servicio y garantía

Además del clip, el POD no se puede reparar. El POD está cubierto por la garantía limitada de un año estándar de Motorola Solutions.

Exclusión de garantía

Motorola Solutions no garantiza la instalación, el mantenimiento ni el servicio del producto, los accesorios, las baterías ni las piezas.

Motorola Solutions no se hace responsable de ninguna manera por problemas o daños causados por equipos auxiliares o periféricos (algunos ejemplos específicos incluyen, entre otros: baterías, cargadores, adaptadores y fuentes de alimentación), no suministrados o fabricados por Motorola Solutions, que se conectan al producto o se utilizan con este. Cuando el producto se utiliza con equipos periféricos o auxiliares no suministrados por Motorola Solutions, Motorola Solutions no garantiza el funcionamiento de la combinación de productos ni periféricos. Motorola Solutions no respetará ningún reclamo de garantía en el que el producto se utilice en tal combinación, y en que Motorola Solutions determine que no hay ninguna falla del producto. Al momento de abrir o desmontar el producto, la garantía se anulará inmediatamente. Motorola Solutions renuncia expresamente a cualquier responsabilidad por cualquier daño causado por la instalación incorrecta por parte de personal no autorizado.

Nota para los usuarios (FCC e Industry Canada)

Este dispositivo cumple con la parte 15 de las normas de la FCC y con los estándares RSS exentos de licencia de Industry Canada conforme a las siguientes condiciones:

- Este dispositivo no puede provocar interferencia nociva.
- Este dispositivo debe aceptar toda interferencia recibida, incluida aquella interferencia que pudiera causar un funcionamiento no deseado.
- Los cambios o las modificaciones que se realicen en este dispositivo, no aprobados expresamente por Motorola Solutions, podrían anular el permiso del usuario para operar este equipo.

Declaración de conformidad del distribuidor

Declaración de conformidad del distribuidor

Conforme a FCC, CFR 47, parte 2, sección 2.1077(a)



Parte responsable

Nombre: Motorola Solutions, Inc.

Dirección: 2000 Progress Pkwy, Schaumburg, IL. 60196

Número de teléfono: 1-800-927-2744

Por la presente, declara que el producto:

Nombre del modelo: **WP300**

cumple con las siguientes normativas:

FCC parte 15, subparte B, sección 15.107(a), 15.107(d) y sección 15.109(a)

Dispositivo digital de clase B

Como dispositivo informático periférico, este producto cumple con la parte 15 de las normas de la Comisión Federal de Comunicaciones (FCC). El funcionamiento está sujeto a las siguientes dos condiciones:

- 1 Este dispositivo no puede provocar interferencia nociva.

- 2 Este dispositivo debe aceptar toda interferencia recibida, incluida aquella interferencia que pudiera causar un funcionamiento no deseado.

**NOTA:**

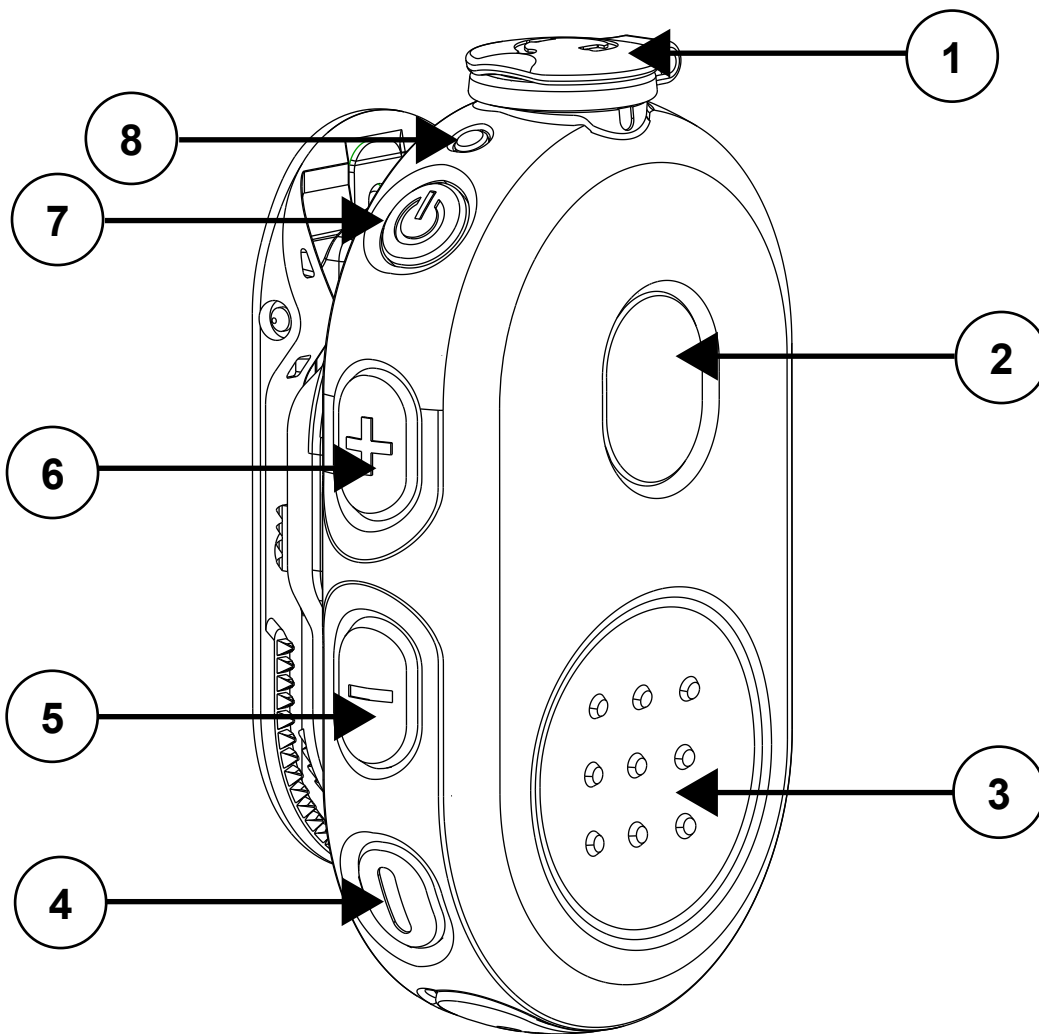
Este equipo ha sido probado y se ha corroborado que respeta los límites estipulados para dispositivos digitales de clase B, conforme a lo dispuesto en la sección 15 de las normas de la FCC. Estos límites están diseñados para ofrecer una protección razonable contra interferencias nocivas en una instalación residencial. Este equipo genera, utiliza y puede emitir energía de radiofrecuencia, y, si no se instala ni se utiliza según las instrucciones, puede causar interferencia nociva en las comunicaciones por radio. No obstante, no existe garantía de que no se produzca interferencia en una instalación específica.

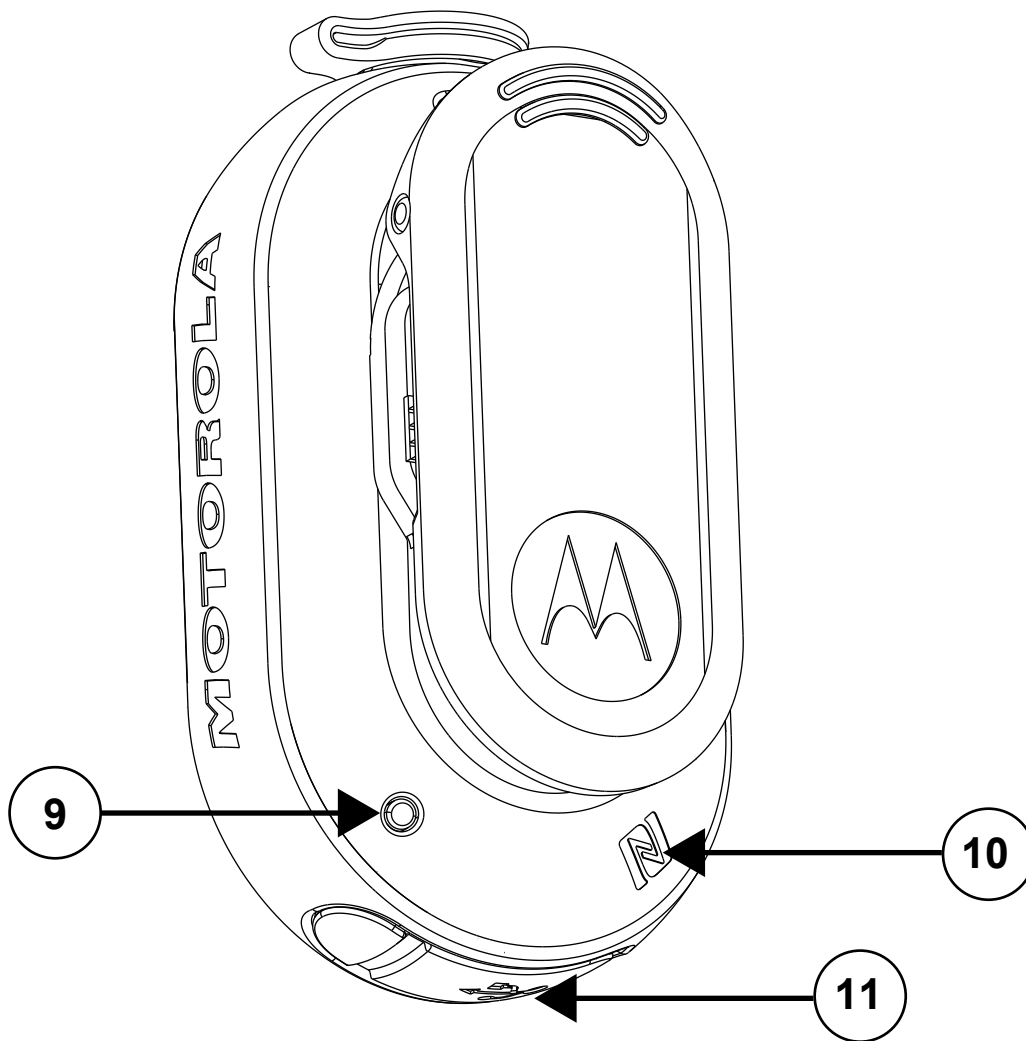
En caso de que este equipo cause interferencia nociva en la recepción radial o televisiva, lo que se puede determinar al encender o apagar el equipo, se recomienda intentar solucionar tal interferencia a través de una o varias de las medidas que se presentan a continuación:

- Cambie la orientación o la ubicación de la antena receptora.
- Aumente la distancia entre el equipo y el receptor.
- Conecte el equipo a un tomacorriente que esté en un circuito distinto del circuito al que se encuentra conectado el receptor.
- Comuníquese con el distribuidor o con un técnico capacitado en radio o televisión para obtener ayuda.

Capítulo 1


Descripción general del POD





Mesa 1 : Descripción general del POD

Etiqueta	Descripción
1	Conector de audio
2	Botón de llamada/botón multifunción (MFB)
3	Botón PTT
4	Botón de emergencia
5	Bajar volumen
6	Subir volumen
7	Botón de encendido
8	Indicador de audio/Bluetooth
9	Indicador de alimentación/batería
10	Ubicación NFC
11	Puerto del cargador

Etiqueta	Descripción
 NOTA: El botón de llamada/MFB y los botones de volumen no se aplican cuando funciona como un dispositivo PTT independiente.	

1.1

Compatibilidad e incompatibilidad del radio/dispositivo

Lista de los radios o dispositivos compatibles con PMLN8298:

Compatibilidad del radio/dispositivo

- Evolve y BYOD (Android o iOS) con aplicación Kodiak versión 10.0.x y posteriores
- SLN1000
- Serie TLK 100, TLK150
- LEX L11



NOTA:

Los modelos TLK100, TLK150, y SLN1000 admiten WP300 solo con auriculares PMLN8190, PMLN8077 o PMLN8125. (No se admiten auriculares Bluetooth o con cable separados conectados al dispositivo TLK).

Mesa 2 : Piezas y accesorios compatibles

Número de pieza	Descripción
PMLN8077A ¹	Auricular PTT en línea con cable estándar
PMLN8125A ¹	Auricular PTT en línea con cable corto
PMLN8190A ¹	Auricular de tubo transparente mejorado de un cable, pin único de 2,5 mm, perfil recto
PMLN6246A	Clip giratorio para POD inalámbrico Push-to-Talk
PMLN8332A ¹	Funda de montaje fija WP300



NOTA:

- Estos accesorios se pueden emparejar con un dispositivo Kodiak Broadband PTT compatible. Para activar la funcionalidad del botón de emergencia, asegúrese de que la función de emergencia esté activada en Kodiak. Consulte la Guía del usuario de Kodiak para obtener las instrucciones de configuración.
- Nombre del dispositivo Bluetooth: WP300_xxxx. La cadena de caracteres “WP300_xxxx” es el nombre del dispositivo Bluetooth. “xxxx” son los últimos cuatro dígitos de la dirección de Bluetooth.
- La dirección MAC se encuentra en la parte superior de la caja individual y dentro del código QR que se encuentra detrás del clip para cinturón. Las etiquetas de dirección MAC adicionales se encuentran en la caja individual.
- Para admitir nuevos dispositivos/radios y funcionalidades, actualice el firmware WP300 a la versión más reciente.

¹ Estos accesorios se compran por separado.

Incompatibilidad del radio/dispositivo

- Pixel 4 Android 10

Capítulo 2

Guía de introducción

Familiarícese con la información básica sobre cómo utilizar el POD de control remoto.

2.1

Carga del POD

Requisitos:

Apague el POD antes de la carga.

Procedimiento:

- 1 Conecte el cable de carga USB al POD para cargarlo.
- 2 Enchufe el cable de carga a la fuente de alimentación USB.

Mesa 3 : Indicador de carga

Indicación de alimentación	Descripción
Rojo intermitente rápido	Error de carga
Rojo fijo	Cargando
Verde intermitente	Casi totalmente cargada
Verde fijo	La batería está completamente cargada

2.1.1

Indicación de batería

Cuando el POD no se esté cargando, consulte la siguiente tabla para comprender la indicación.

Mesa 4 : Indicación de batería

Indicación de alimentación	Descripción
Desactivado	El nivel de batería es medio o alto.
Rojo intermitente	El nivel de la batería está bajo.

2.1.2


Indicación de estado

Consulte la siguiente tabla para comprender la indicación de estado de audio y Bluetooth.

Mesa 5 : Estado de audio y Bluetooth

Indicación de audio/Bluetooth	Descripción
Azul intermitente	Ingresar emparejamiento
Azul fijo	Desconectado
Azul intermitente doble (una vez)	Conectado

Indicación de audio/Bluetooth	Descripción
Rojo fijo	Micrófono silenciado
Verde intermitente	Recibiendo una llamada entrante

 **NOTA:**
El micrófono está silenciado y la indicación de llamada entrante no se aplica cuando funciona como un dispositivo PTT independiente.

Mesa 6 : Indicación de estado

Indicador	Indicación	Descripción
Audio/Bluetooth	Azul intermitente doble	Conectado
Alimentación	Verde intermitente doble	El nivel de la batería es alto
	Ámbar intermitente doble	El nivel de la batería es medio

 **NOTA:**
Para determinar el estado detallado del POD, presione brevemente el botón **Encendido**.

Mesa 7 : Indicación de modo de funcionamiento

Indicador	Indicación	Descripción
LED de alimentación y Bluetooth	Ambos LED parpadean en rojo al mismo tiempo.	Error de modo de funcionamiento
	El LED de Bluetooth parpadea en azul dos veces y el LED de alimentación parpadea en verde dos veces al mismo tiempo.	EL POD está entrando o saliendo del modo oscuro

Consulte la sección [Cambio del modo de funcionamiento](#) para conocer la configuración correcta del modo de funcionamiento.

2.1.3

Cargador micro USB

Esta sección contiene información sobre el uso del cargador micro USB.

- El cargador micro USB es un puerto práctico que le permite cargar cómodamente la batería.
- Asegúrese de que el dispositivo esté apagado.
- Enchufe el cable micro USB al puerto de carga micro USB del dispositivo.
- Conecte el cargador USB a un tomacorriente cercana y de fácil acceso.



PRECAUCIÓN:

Sostenga el conector USB al momento de conectarlo y desconectarlo. No tire del cable.
No gire la cubierta para el polvo.

2.2

Conexión de audífonos con micrófono/receptor integrados (auricular)

Procedimiento:

- 1 Para conectar y bloquear el auricular, alinee el símbolo de desbloqueo del conector y empuje este hacia adentro; a continuación, gírelo hasta que el símbolo de bloqueo quede alineado.
- 2 Para desbloquear y desconectar el auricular, gire el conector a fin de alinear el símbolo de desbloqueo con la hendidura de la carcasa frontal y, luego, tire del conector hacia afuera.



NOTA:

Conecte o desconecte el auricular antes de establecer la conexión con el radio o el adaptador.

Si la conexión inalámbrica se desconecta debido a una extracción accidental o intencional, o la conexión del auricular desde o hacia el dispositivo, el LED rojo parpadea rápidamente.

2.3

Emparejamiento o desemparejamiento del POD

Requisitos:

Apague el POD.

Emparejamiento del POD a través de Bluetooth

Para que funcione en modo de audio, que la parte del auricular del dispositivo inalámbrico debe estar conectada a la parte del POD. Para que funcione como un dispositivo PTT independiente, quite el auricular.

Procedimiento:

- 1 Mantenga presionado el botón **Encendido** hasta que el LED azul parpadee.
- 2 En el dispositivo compatible, busque y seleccione **POD** de la lista Bluetooth.

El dispositivo está conectado.



NOTA:

Desempareje siempre el WP300 del host Bluetooth y borre el emparejamiento antes de iniciar un proceso de emparejamiento.

Emparejamiento del POD a través de NFC

Para que funcione en modo de audio, que la parte del auricular del dispositivo inalámbrico debe estar conectada a la parte del POD. Para que funcione como un dispositivo PTT independiente, quite el auricular.

Procedimiento:

- 1 Mantenga presionado el botón **Encendido** hasta que el LED azul parpadee.
- 2 Alinee las ubicaciones de NFC en el POD y en los dispositivos compatibles.
- 3 Compruebe que el dispositivo compatible indique que el emparejamiento se realizó correctamente.

Cuando se empareja un dispositivo PTT independiente con ciertos dispositivos host, aparece el siguiente mensaje: No se pudo conectar a WP300.

Debe comprobar si el botón **PTT** y el botón **Emergencia** funcionan correctamente. Si los botones funcionan, puede ignorar este mensaje. Si los botones no funcionan, debe emparejar manualmente el POD con el dispositivo a través de Bluetooth.

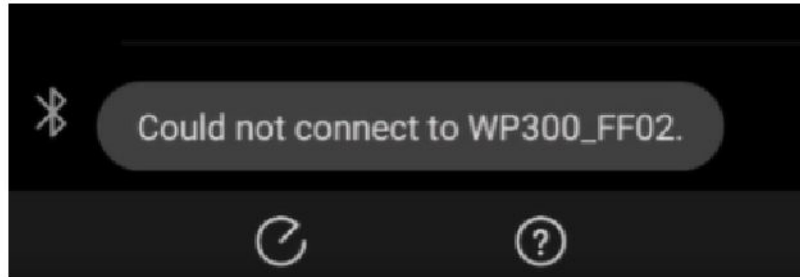


NOTA:

Desempareje siempre el WP300 del host Bluetooth y borre el emparejamiento antes de iniciar un proceso de emparejamiento.

Ejemplo:

Figura 1 : Mensaje de aviso



Desemparejamiento del POD

Procedimiento:

- 1 Elimine el POD de la lista de dispositivos emparejados en el dispositivo compatible emparejado anterior.
- 2 Mantenga presionados los botones **Encendido** y **PTT** al mismo tiempo.
El POD indica que el dispositivo emparejado “se borró”.

2.4

Cambio del modo de funcionamiento

Para que funcione en modo de audio, que la parte del auricular del dispositivo inalámbrico debe estar conectada a la parte del POD. Para que funcione como un dispositivo PTT independiente, quite el auricular.

Requisitos:

Apague el POD.

Procedimiento:

- 1 Elimine el POD de la lista de dispositivos emparejados en el dispositivo compatible, si se ha emparejado antes.
- 2 Mantenga presionados los botones **Encendido** y **PTT** al mismo tiempo hasta que el LED azul parpadee.
- 3 Empareje el POD del dispositivo compatible.

2.5

Ingreso o salida del modo oscuro

El modo oscuro le permite desactivar los LED del dispositivo inalámbrico.

Requisitos:

Encienda el dispositivo.

Procedimiento:

Para activar o desactivar el modo oscuro del dispositivo, presione simultáneamente los botones de **encendido** y **MFB** hasta que el LED azul y el verde parpadeen dos veces.

El POD reproduce un tono o un aviso de voz para alertar al usuario de que los LED están apagados.

El dispositivo inalámbrico no muestra la indicación LED de las siguientes funciones cuando se presiona el botón **Encendido**:

- Vínculo perdido
- Batería baja
- Error de modo de funcionamiento
- Indicación de estado

2.6

Emparejamiento de los clips

Procedimiento:

- 1 Coloque el clip en forma horizontal en el área de deslizamiento del clip.



- 2 Deslice el clip hacia arriba, hasta que escuche un clic.



A continuación, se muestra la imagen después de la instalación.



2.7

Desmontaje del clip

Procedimiento:

- 1 Gire el clip en 90 °C (derecha/izquierda).



- 2 Levante el resorte de metal y deslice el clip hacia fuera de la cubierta posterior.



- 3 Cuando levante el resorte de metal, extraiga el clip de la cubierta posterior con el pulgar.





Manuel de l'utilisateur du contrôleur de commande à distance pour opérations critiques, WP300 PMLN8298

MAI 2022

© 2022 Motorola Solutions, Inc. All rights reserved



MN007883A01-AE

Table des matières

Présentation de l'application Accessory Manager.....	3
Informations légales et de sécurité.....	4
Marques de certification.....	4
Propriété intellectuelle et avis réglementaires.....	4
Sécurité du produit et conformité d'exposition aux fréquences radio.....	5
Sécurité acoustique.....	5
Informations importantes.....	6
Dépannage et garantie.....	7
Exclusion de garantie.....	7
Avis aux utilisateurs (FCC et Industry Canada).....	8
Déclaration de conformité du fournisseur.....	9
Chapitre 1 : Présentation du Pod.....	11
1.1 Compatibilité et incompatibilité radio/appareil.....	13
Chapitre 2 : Mise en route.....	14
2.1 Chargement du Pod.....	14
2.1.1 Indication de la batterie.....	14
2.1.2 Indication de l'état.....	14
2.1.3 Chargeur micro-USB.....	15
2.2 Fixation du casque microphone/récepteur intégré (oreillette).....	16
2.3 Association ou dissociation du contrôleur.....	16
Association du contrôleur via Bluetooth.....	16
Association du contrôleur via NFC.....	16
Dissociation du contrôleur.....	17
2.4 Changement de mode de fonctionnement.....	17
2.5 Activation ou désactivation du mode Dark.....	18
2.6 Montage du clip.....	18
2.7 Désassemblage du clip.....	19

Présentation de l'application Accessory Manager

Téléchargez et installez l'application Accessory Manager pour obtenir les futures mises à niveau logicielles et les nouvelles fonctionnalités.

Il est recommandé d'installer Accessory Manager pour mettre à niveau le micrologiciel des accessoires avant leur première utilisation.



Informations légales et de sécurité

Cette section contient des informations légales et de sécurité relatives à ce produit.

Learning Experience Portal (LXP) Manual do Usuário e documentação relacionada disponíveis em:
<https://learning.motorolasolutions.com/>

Marques de certification



ID CMIIT : 2021DP17747

摩托罗拉系统 (中国) 有限公司

Propriété intellectuelle et avis réglementaires

Copyright

Les produits Motorola Solutions décrits dans ce document peuvent inclure des programmes informatiques Motorola Solutions protégés par un copyright. Les lois des États-Unis et d'autres pays garantissent certains droits exclusifs à Motorola Solutions pour ces programmes informatiques protégés par un copyright. En conséquence, il est interdit de copier ou de reproduire, de quelque manière que ce soit, les programmes informatiques Motorola Solutions protégés par un copyright contenus dans les produits Motorola Solutions décrits dans ce document sans l'autorisation expresse et écrite de Motorola Solutions.

Aucune partie du présent document ne peut être reproduite, transmise, stockée dans un système de récupération ou traduite dans toute autre langue ou tout autre langage informatique, sous quelque forme ou par quelque moyen que ce soit, sans l'autorisation écrite préalable de Motorola Solutions, Inc.

Marques

MOTOROLA, MOTO, MOTOROLA SOLUTIONS et le logo stylisé M sont des marques commerciales ou des marques déposées de Motorola Trademark Holdings, LLC et font l'objet d'une licence. Toutes les autres marques commerciales appartiennent à leurs propriétaires respectifs.

Droits de licence

L'acquisition de produits Motorola Solutions ne saurait en aucun cas conférer, directement, indirectement ou de toute autre manière, aucune licence, aucun droit d'auteur, brevet ou demande de brevet appartenant à Motorola Solutions, autres que la licence habituelle d'utilisation non exclusive et libre de droit qui découle légalement de la vente du produit.

Contenu Open Source

Ce produit peut contenir un logiciel Open Source utilisé sous licence. Reportez-vous au support d'installation du produit pour consulter les mentions légales et les informations d'attribution Open Source complètes.

Directive relative aux déchets d'équipements électriques et électroniques (DEEE) pour l'Union européenne et pour le Royaume-Uni



La directive DEEE de l'Union européenne et celle du Royaume-Uni disposent que les produits vendus au sein de l'UE et du Royaume-Uni doivent présenter le symbole d'une poubelle barrée sur l'étiquette du produit (ou sur l'emballage dans certains cas). Comme indiqué par la directive DEEE, l'étiquette de la poubelle barrée signifie que les clients et les utilisateurs finaux au sein de l'UE et du Royaume-Uni ne doivent pas mettre au rebut les équipements et les accessoires électriques et électroniques avec les déchets ménagers.

Les clients ou les utilisateurs finaux au sein de l'UE et du Royaume-Uni doivent prendre contact avec le représentant local du fournisseur de leur équipement ou le centre de service pour obtenir des informations sur le système de collecte des déchets dans leur pays.

Limitation de responsabilité

Notez que certaines fonctionnalités, fonctions et caractéristiques décrites dans ce document peuvent ne pas s'appliquer ou faire l'objet d'une licence pour une utilisation sur un système spécifique, ou peuvent dépendre des caractéristiques d'un terminal radio mobile spécifique ou de la configuration de certains paramètres. Contactez votre représentant Motorola Solutions pour en savoir plus.

© 2022 Motorola Solutions, Inc. Tous droits réservés

Sécurité du produit et conformité d'exposition aux fréquences radio

ATTENTION :

Avant d'utiliser ce produit, lisez le guide Sécurité des produits et exposition aux fréquences radio fourni avec la radio. Il contient des instructions de fonctionnement relatives à la sécurité et à l'exposition aux RF, ainsi que des informations sur le contrôle de conformité aux normes et réglementations applicables.

Sécurité acoustique

L'exposition pendant une période prolongée à un fort niveau sonore, quelle qu'en soit la source, peut provoquer des troubles auditifs temporaires ou permanents. Plus le volume de la radio est élevé, plus le trouble auditif peut se produire rapidement. Les troubles auditifs provoqués par un niveau sonore élevé ne se remarquent parfois pas immédiatement et peuvent s'additionner. Pour protéger votre audition :

- Utilisez le volume le plus bas possible pour effectuer votre travail.
- Augmentez le volume uniquement si vous êtes dans des environnements bruyants.
- Baissez le volume avant de porter l'oreillette.
- Limitez le temps d'utilisation du casque ou de l'oreillette à un volume élevé.
- Lorsque vous utilisez la radio sans casque ni oreillette, ne placez pas le haut-parleur de la radio directement contre votre oreille.
- Si vous ressentez une gêne auditive, entendez des sifflements ou si les voix sont étouffées, arrêtez d'écouter votre radio avec le casque ou l'oreillette et faites vérifier votre audition par un médecin. Pour modifier le niveau du volume, reportez-vous à la brochure Sécurité des produits radio ou au CPS (Customer Programming Software) pour consulter les configurations du kit de surveillance puissant (xL).

Informations importantes

- Ne chargez pas votre accessoire à des températures inférieures à 0 °C ou supérieures à 45 °C.
- Ne conservez pas votre accessoire à la lumière directe du soleil et dans un endroit où la température risque de dépasser ces limites (à l'intérieur d'une voiture, par exemple).
- Le stockage de votre accessoire à des températures élevées s'il est entièrement chargé peut réduire de manière irréversible la durée de vie de la batterie interne.
- La durée de vie de la batterie peut diminuer temporairement dans des conditions de basses températures.
- Le Pod de commande à distance doit être conservé à une température comprise entre -10 °C et 30 °C afin de minimiser le risque de perte de capacité permanente de la batterie.



AVERTISSEMENT :

- Pour éviter tout risque de blessure, ne démontez, ne percez ou n'écrasez pas le Pod ; cela pourrait provoquer un court-circuit de la batterie.
- N'exposez ou ne jetez pas le Pod à la chaleur ou au feu.
- Ne jetez pas le Pod avec vos déchets ménagers.
- Ne remplissez pas d'eau la prise audio et le port de charge USB. Si de l'eau pénètre dans la prise audio et/ou le port de charge USB, retirez l'eau en secouant le Pod. Couvrez toujours la prise audio et le port de charge USB d'un cache-poussière lorsque vous n'utilisez pas le Pod.

Dépannage et garantie

À l'exception du clip, le Pod n'est pas réparable. Le Pod est couvert par la garantie standard limitée d'un an de Motorola Solutions.

Exclusion de garantie

Motorola Solutions ne garantit pas l'installation, la maintenance ou l'entretien du produit, de ses accessoires, batteries ou pièces.

Motorola Solutions n'est en aucun cas responsable des problèmes ou dommages causés par tout équipement ou périphérique auxiliaire (y compris, mais sans s'y limiter, les batteries, chargeurs, adaptateurs et blocs d'alimentation), non fourni ou fabriqué par Motorola Solutions, raccordé au produit ou utilisé avec celui-ci. Lorsque le produit est utilisé avec un équipement auxiliaire ou périphérique non fourni par Motorola Solutions, Motorola Solutions ne garantit pas le fonctionnement de la combinaison produit/périphérique. Motorola Solutions n'honorera aucune réclamation sous garantie si le produit est utilisé dans ces conditions de combinaison et si Motorola Solutions détermine que le produit ne présente aucun défaut. Si le produit a été ouvert ou démonté, la garantie est immédiatement annulée. Motorola Solutions décline toute responsabilité en cas de dommages causés de quelque manière que ce soit par une installation incorrecte par du personnel non autorisé.

Avis aux utilisateurs (FCC et Industry Canada)

Cet appareil est conforme à l'article 15 de la réglementation FCC et aux normes RSS sur les dispositifs exempts de licence d'Industry Canada, selon les conditions suivantes :

- Cet appareil ne doit pas provoquer d'interférences nuisibles.
- Cet appareil doit accepter toutes les interférences reçues, y compris celles susceptibles de causer un fonctionnement inadéquat.
- Tout changement apporté à cet appareil non expressément approuvé par Motorola Solutions peut entraîner la révocation du droit d'utiliser cet appareil.

Déclaration de conformité du fournisseur

Déclaration de conformité du fournisseur

En vertu de la réglementation FCC CFR 47, Partie 2, Section 2.1077(a)



Partie compétente

Nom : Motorola Solutions, Inc.

Adresse : 2000 Progress Pkwy, Schaumburg, IL. 60196

Numéro de téléphone : 1-800-927-2744

Déclare par la présente que le produit :

Nom du modèle : **WP300**

est conforme aux réglementations suivantes :

FCC, Partie 15, sous-partie B, section 15.107(a), 15.107(d) et section 15.109(a)

Appareil numérique de classe B

En tant que périphérique informatique personnel, cet appareil est conforme aux dispositions de la Partie 15 des règles de la FCC. Il peut être utilisé dans les deux conditions suivantes :

- 1 Cet appareil ne doit pas provoquer d'interférences nuisibles et

- 2 Cet appareil doit accepter toutes les interférences reçues, y compris celles susceptibles de causer un fonctionnement inadéquat.

**REMARQUE :**

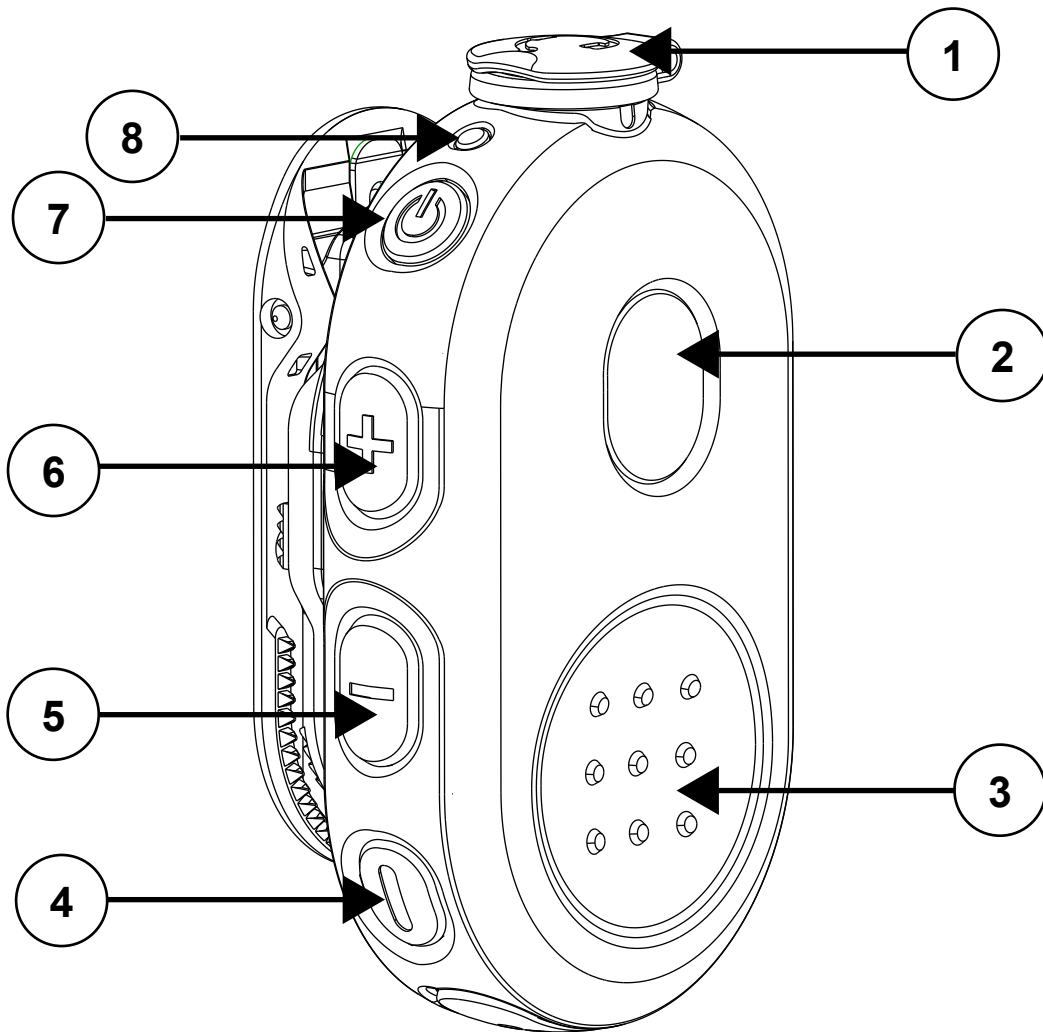
cet appareil a été testé et les résultats de ces tests ont révélé qu'il respecte les limites d'un appareil numérique de classe B en conformité avec les dispositions de la Partie 15 des règles de la FCC. Ces limites sont conçues pour offrir une protection raisonnable contre les interférences dangereuses dans une installation résidentielle. Cet appareil produit, utilise et peut émettre un rayonnement électromagnétique et, s'il n'est pas installé et utilisé en conformité avec ces consignes, peut provoquer des interférences dangereuses pour les communications radio. Cependant, il est impossible de garantir l'absence d'interférence dans une installation particulière.

Si cet appareil provoque des interférences qui affectent la réception d'un poste de radio ou de télévision, ce que vous pouvez déterminer en allumant puis en éteignant l'appareil, nous vous encourageons à essayer de les corriger en employant au moins l'une des méthodes suivantes :

- Réorientez ou déplacez l'antenne de réception.
- Éloignez l'appareil du récepteur.
- Branchez l'appareil sur la prise d'un circuit différent de celui sur lequel le récepteur est branché.
- Consultez le fournisseur ou un technicien en radio et télévision expérimenté pour obtenir une assistance.

Chapitre 1

Présentation du Pod



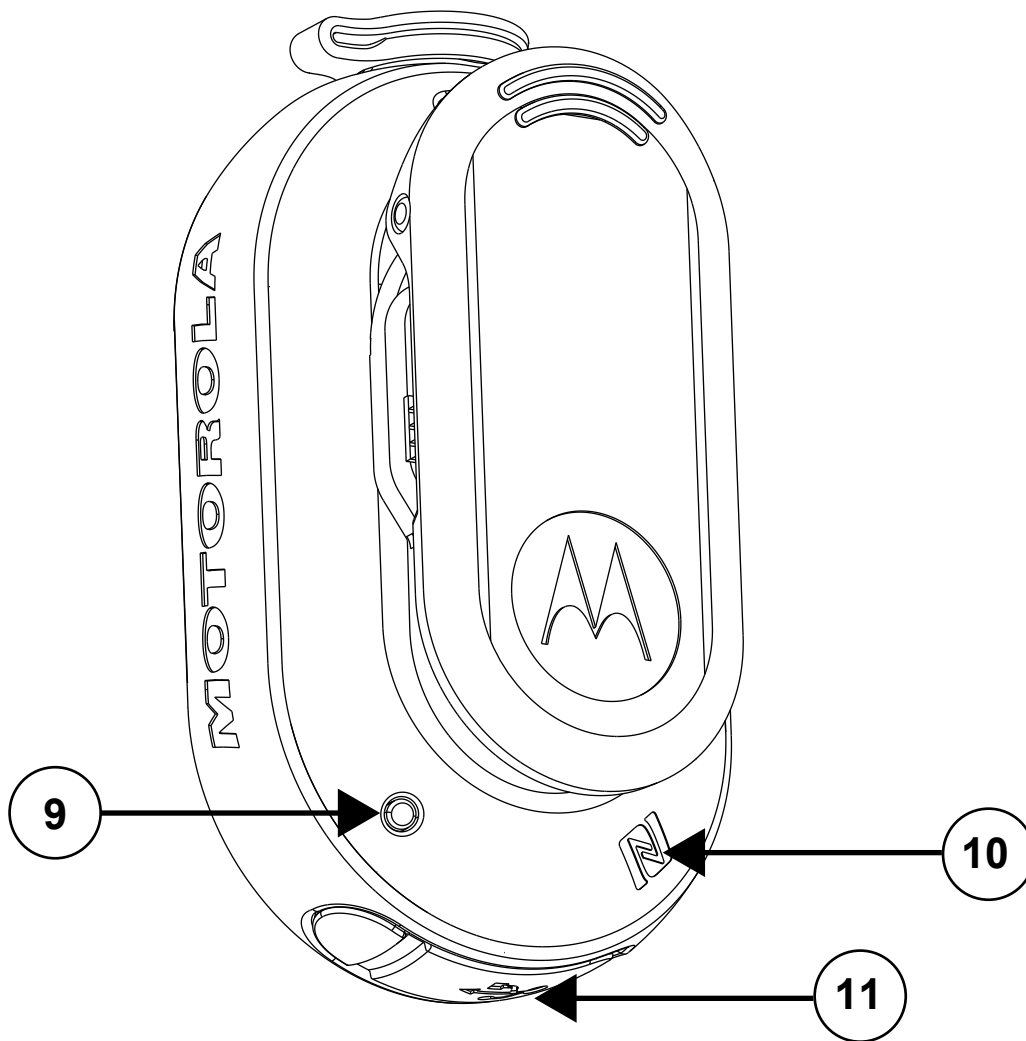



Tableau 1 : Présentation et description du Pod

Étiquette	Description
1	Prise audio
2	Bouton d'appel/bouton multifonction
3	Bouton PTT
4	Bouton d'appel d'urgence
5	Diminution du volume
6	Augmentation du volume
7	Bouton d'alimentation
8	Voyant audio/Bluetooth
9	Voyant d'alimentation/batterie
10	Capteur NFC
11	Port de charge

Étiquette	Description
 REMARQUE :	Le bouton d'appel/multifonction et les boutons du volume ne sont pas actifs lorsque le Pod fonctionne comme un appareil PTT autonome.

1.1

Compatibilité et incompatibilité radio/appareil

Liste des radios ou appareils compatibles avec le PMLN8298 :

Compatibilité radio/appareil

- Evolve et BYOD (Android ou iOS) avec application Kodiak versions 10.0.x et supérieures
- SLN1000
- Séries TLK 100, TLK150
- LEX L11



REMARQUE :

TLK100, TLK150 et SLN1000 prennent en charge WP300 avec oreillette PMLN8190, PMLN8077 ou PMLN8125 uniquement (connexion au terminal TLK d'une oreillette Bluetooth ou filaire séparée non prise en charge).

Tableau 2 : Pièces et accessoires compatibles

Référence	Description
PMLN8077A ¹	Oreillette PTT en ligne avec cordon standard
PMLN8125A ¹	Oreillette PTT en ligne avec cordon court
PMLN8190A ¹	Oreillette avec tube transparent extra large 1 câble, 2,5 mm, 1 broche, droite
PMLN6246A	Clip pivotant pour contrôleurs Push-to-Talk sans fil
PMLN8332A ¹	Étui fixe WP300



REMARQUE :

- Ces accessoires peuvent être associés avec un appareil compatible PTT haut débit Kodiak. Pour activer la fonction du bouton d'urgence, assurez-vous que la fonction d'urgence est activée sur le Kodiak. Reportez-vous au Guide de l'utilisateur Kodiak pour des instructions de configuration.
- Nom du terminal Bluetooth : WP300_xxxx. La chaîne de caractères « WP300_xxxx » est le nom du terminal Bluetooth. « xxxx » représente les quatre derniers chiffres de l'adresse Bluetooth.
- L'adresse MAC se trouve sur le haut de l'emballage et dans le code QR à l'arrière du clip de ceinture. L'emballage contient également des étiquettes d'adresse MAC supplémentaires.
- Pour la prise en charge de nouveaux appareils, nouvelles radios et fonctionnalités, mettez à niveau le micrologiciel du WP300 vers sa dernière version.

Incompatibilité radio/appareil

- Pixel 4 Android 10

¹ Ces accessoires sont à acheter séparément.

Chapitre 2

Mise en route

Familiarisez-vous avec les informations de base sur l'utilisation de votre Pod de commande à distance.

2.1

Chargement du Pod

Prérequis :

Éteignez le Pod avant la charge.

Procédure :

- 1 Connectez le câble de charge USB au Pod pour le charger.
- 2 Branchez le câble de charge à la source d'alimentation USB.

Tableau 3 : Indicateur de charge

Indicateur d'alimentation	Description
Rouge clignotant rapidement	Erreur de chargement
Rouge fixe	En charge
Vert clignotant	Charge presque complète
Vert fixe	La batterie est totalement chargée

2.1.1

Indication de la batterie

Lorsque le Pod n'est pas en cours de charge, reportez-vous au tableau suivant pour une explication d'indication de la LED.

Tableau 4 : Indication de la batterie

Indicateur d'alimentation	Description
Éteint	Niveau de batterie moyen ou élevé.
Rouge clignotant	Niveau de batterie faible.

2.1.2

Indication de l'état

Le tableau suivant présente les indications d'état audio et Bluetooth.

Tableau 5 : État audio et Bluetooth

Indicateur audio/Bluetooth	Description
Bleu clignotant	Association en cours
Bleu continu	Déconnecté

Indicateur audio/Bluetooth	Description
Double clignotement bleu (une fois)	Connecté
Rouge fixe	Micro désactivé
Vert clignotant	Appel entrant en cours



REMARQUE :

Le microphone est désactivé et l'indication d'appel entrant n'est pas active lorsque le Pod fonctionne comme un appareil PTT autonome.

Tableau 6 : Indication de l'état

Indicateur	Indication	Description
Audio Bluetooth	Double clignotement bleu	Connecté
Alimentation	Double clignotement vert	Niveau de batterie élevé
	Double clignotement orange	Niveau de batterie moyen



REMARQUE :

Pour consulter en détail l'état du Pod, appuyez brièvement sur le bouton d'alimentation.

Tableau 7 : Indication du mode de fonctionnement

Indicateur	Indication	Description
Voyants Bluetooth et d'alimentation	Les deux voyants clignent en rouge simultanément.	Erreur de mode de fonctionnement
	Le voyant Bluetooth clignote deux fois en bleu et le voyant d'alimentation clignote deux fois en vert simultanément.	Le Pod entre en mode Dark ou en sort

Reportez-vous à la section [Changement de mode de fonctionnement](#) pour des informations sur la configuration du mode de fonctionnement approprié.

2.1.3

Chargeur micro-USB

Cette section contient des informations sur l'utilisation du chargeur micro-USB.

- Le chargeur micro-USB est un port très pratique qui vous permet de charger facilement votre batterie.
- Assurez-vous que votre appareil est hors tension.
- Branchez le câble micro-USB dans le port de charge micro-USB de votre appareil.
- Branchez le chargeur USB sur une prise murale située à proximité et facilement accessible.



ATTENTION :

Maintenez bien le connecteur USB lorsque vous le branchez et le débranchez. Ne tirez pas sur le câble.

Ne pliez pas le cache-poussière.

2.2

Fixation du casque microphone/récepteur intégré (oreillette)

Procédure :

- 1 Pour fixer et verrouiller l'oreillette, alignez le symbole de déverrouillage sur le connecteur, appuyez sur le connecteur et tournez-le jusqu'à ce que le symbole de verrouillage soit aligné.
- 2 Pour déverrouiller et retirer l'oreillette, tournez le connecteur pour aligner le symbole de déverrouillage avec le renforcement du boîtier avant, puis retirez le connecteur.



REMARQUE :

Fixez ou retirez votre oreillette avant d'établir la connexion avec la radio ou l'adaptateur.

Si vous fixez l'oreillette à l'appareil ou si vous l'en retirez, accidentellement ou intentionnellement, la connexion sans fil est déconnectée et le voyant rouge clignote rapidement.

2.3

Association ou dissociation du contrôleur

Prérequis :

Le contrôleur doit être hors tension.

Association du contrôleur via Bluetooth

Pour fonctionner en mode audio, assurez-vous que l'oreillette de l'appareil sans fil est raccordée au contrôleur. Pour utiliser le contrôleur comme un appareil PTT autonome, retirez l'oreillette.

Procédure :

- 1 Appuyez sur le bouton d'**alimentation** et maintenez-le enfoncé jusqu'à ce que le voyant bleu clignote.
- 2 Sur l'appareil compatible, recherchez et sélectionnez **Contrôleur** dans la liste Bluetooth.

L'appareil est connecté.



REMARQUE :

Dissociez toujours le WP300 de l'hôte Bluetooth et retirez l'association avant de lancer un processus d'association.

Association du contrôleur via NFC

Pour fonctionner en mode audio, assurez-vous que l'oreillette de l'appareil sans fil est raccordée au contrôleur. Pour utiliser le contrôleur comme un appareil PTT autonome, retirez l'oreillette.

Procédure :

- 1 Appuyez sur le bouton d'**alimentation** et maintenez-le enfoncé jusqu'à ce que le voyant bleu clignote.
- 2 Placez côte-à-côte les capteurs NFC du contrôleur et de l'appareil compatible.
- 3 Vérifiez si l'appareil compatible indique que l'association a réussi.

Lors de l'association d'un appareil PTT autonome avec certains appareils hôtes, le message suivant s'affiche : Impossible de se connecter au WP300.

Vérifiez si le bouton **PTT** et le bouton **Urgence** fonctionnent correctement. Si ces boutons fonctionnent, vous pouvez ignorer ce message. S'ils ne fonctionnent pas, vous devez associer manuellement le contrôleur à l'appareil via Bluetooth.

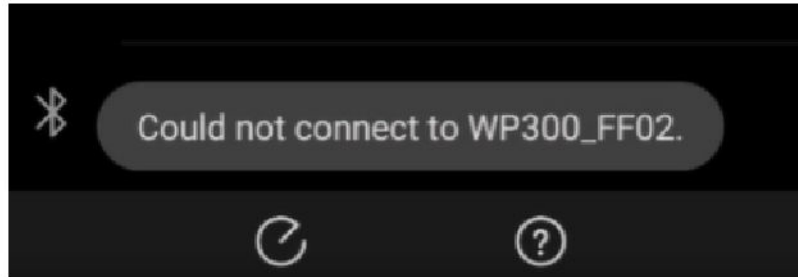


REMARQUE :

Dissociez toujours le WP300 de l'hôte Bluetooth et retirez l'association avant de lancer un processus d'association.

Exemple :

Figure 1 : Message



Dissociation du contrôleur

Procédure :

- 1 Supprimez le contrôleur de la liste des appareils associés sur l'appareil compatible précédemment associé.
- 2 Appuyez simultanément sur les boutons d'**alimentation** et **PTT** et maintenez-les enfoncés.
Le contrôleur indique que l'appareil associé est « retiré ».

2.4

Changement de mode de fonctionnement

Pour fonctionner en mode audio, assurez-vous que l'oreillette de l'appareil sans fil est raccordée au contrôleur. Pour utiliser le contrôleur comme un appareil PTT autonome, retirez l'oreillette.

Prérequis :

Le contrôleur doit être hors tension.

Procédure :

- 1 Supprimez le contrôleur de la liste des appareils associés sur l'appareil compatible s'il y a déjà été associé auparavant.
- 2 Appuyez simultanément sur les boutons d'**alimentation** et **PTT** et maintenez-les enfoncés jusqu'à ce que le voyant bleu clignote.
- 3 Associez le contrôleur à partir de l'appareil compatible.

2.5

Activation ou désactivation du mode Dark

Le mode Dark vous permet d'éteindre les voyants d'un appareil sans fil.

Prérequis :

L'appareil doit être mis sous tension.

Procédure :

Activez ou désactivez le mode Dark de l'appareil en appuyant simultanément sur les boutons d'**alimentation** et **multifonction** jusqu'à ce que les voyants bleu et vert clignotent deux fois.

Le POD émet une tonalité ou une invite vocale vous informant que les voyants sont éteints.

Lorsque vous appuyerez sur le bouton d'**alimentation**, les voyants de l'appareil sans fil ne s'allumeront pas pour indiquer les fonctions suivantes :

- Perte de liaison
- Batterie faible
- Erreur de mode de fonctionnement
- Indication de l'état

2.6

Montage du clip

Procédure :

- 1 Placez le clip à l'horizontale, dans le logement.



- 2 Faites glisser le clip vers le haut, jusqu'à ce que vous entendiez un déclic.



L'image ci-dessous présente le Pod une fois le clip installé.



2.7

Désassemblage du clip

Procédure :

- 1 Faites pivoter le clip de 90 °C (sens des aiguilles d'une montre/sens inverse des aiguilles d'une montre).



- 2 Soulevez le ressort en métal et retirez le clip du cache arrière en le faisant glisser.



- 3 Lorsque vous soulevez le ressort en métal, retirez le clip du cache arrière en le faisant glisser à l'aide de votre pouce.





Посібник користувача перехідника дистанційного керування WP300 PMLN8298 для бездротової гарнітури Operations Critical Wireless

ТРАВЕНЬ 2022

© 2022 Motorola Solutions, Inc. All rights reserved



MN007883A01-AE

Зміст

Ознайомлення з програмою Accessory Manager.....	3
Інформація про безпечність і правові норми.....	4
Знаки відповідності.....	4
Інформація щодо інтелектуальної власності та відповідності нормативним вимогам.....	4
Дотримання нормативних вимог до радіочастотного випромінювання та безпечності виробу.....	5
Безпека органів слуху.....	5
Важлива інформація.....	6
Обслуговування й гарантія.....	7
Винятки з гарантії.....	7
Повідомлення для користувачів (Федеральна комісія зі зв'язку США та Міністерство промисловості Канади).....	8
Декларація відповідності постачальника.....	9
Розділ 1 . Огляд перехідника.....	11
1.1 Сумісність або несумісність радіостанцій / пристроїв.....	13
Розділ 2 . Початок роботи.....	14
2.1 Заряджання перехідника.....	14
2.1.1 Індикація стану акумулятора.....	14
2.1.2 Індикація стану.....	14
2.1.3 Зарядний пристрій Micro-USB.....	15
2.2 Приєднання інтегрованої гарнітури з мікрофона та приймача (навушник).....	16
2.3 Сполучення або скасування сполучення перехідника.....	16
Сполучення перехідника через Bluetooth.....	16
Сполучення перехідника в режимі ближнього зв'язку NFC.....	16
Скасування сполучення перехідника.....	17
2.4 Вибір режиму роботи.....	17
2.5 Увімкнення або вимкнення режиму затемнення.....	17
2.6 Складання кліпси.....	18
2.7 Зняття кліпси.....	19

Ознайомлення з програмою Accessory Manager

Завантажте й установіть програму Accessory Manager для подальшого оновлення програмного забезпечення та отримання нових функцій.

Радимо встановити програму Accessory Manager, щоб уперше перед використанням оновити вбудоване програмне забезпечення аксесуара до останньої версії.



Інформація про безпечність і правові норми

Цей розділ містить інформацію щодо безпечності цього виробу та застосовних правових норм. Learning Experience Portal (LXP) Manual do Usuário e documentação relacionada disponíveis em: <https://learning.motorolasolutions.com/>

Знаки відповідності



СМІІТ ID: 2021DP17747

摩托罗拉系统 (中国) 有限公司

Інформація щодо інтелектуальної власності та відповідності нормативним вимогам

Авторські права

Вироби компанії Motorola Solutions, що описані в цьому документі, можуть містити захищені авторськими правами комп'ютерні програми Motorola Solutions. Закони в США та інших країнах зберігають за компанією Motorola Solutions певні виняткові права на захищені авторським правом комп'ютерні програми. Зважаючи на це, заборонено в будь-який спосіб копіювати або відтворювати будь-які захищені авторськими правами комп'ютерні програми компанії Motorola Solutions, що входять до складу описаних у цьому документі продуктів компанії Motorola Solutions, без попередньої письмової згоди Motorola Solutions.

Жодну частину цього документа не можна відтворювати, передавати, зберігати в системі пошуку або перекладати будь-якою мовою, зокрема комп'ютерною, у будь-якій формі й будь-якими засобами без попереднього письмового дозволу компанії Motorola Solutions, Inc.

Торгові марки

MOTOROLA, MOTO, MOTOROLA SOLUTIONS і стилізований логотип «М» є торговими марками або зареєстрованими товарними знаками компанії Motorola Trademark Holdings, LLC та використовуються за ліцензією. Усі інші торгові марки належать відповідним власникам.

Права на ліцензії

Придбання продуктів Motorola Solutions не слід вважати наданням прямо, опосередковано, через позбавлення права заперечення (естопель) або іншим чином жодних ліцензій на об'єкти авторського права, патенти або патентні заявки компанії Motorola Solutions, окрім звичайної невиключної безоплатної (royalty-free) ліцензії на використання, передбаченої законом для випадків продажу продукту.

Відкритий вихідний код

Цей продукт може містити програмне забезпечення з відкритим вихідним кодом, що використовується за ліцензією. Повна інформація стосовно правових положень щодо

програмного забезпечення з відкритим кодом і авторських прав міститься на носії встановлення продукту.

Директива Європейського союзу (ЄС) й Сполученого Королівства щодо відпрацьованого електричного й електронного обладнання (WEEE)



Згідно з директивою Європейського союзу й Сполученого Королівства WEEE, на продуктах, що продаються в країнах ЄС або Сполученому Королівстві, має бути наклейка з перекресленим кошиком для сміття (або, у деяких випадках, на упаковці). Як визначено директивою WEEE, така наклейка з перекресленим сміттєвим кошиком на коліщатках означає, що споживачам і кінцевим користувачам у країнах ЄС та Сполученому Королівстві не слід утилізувати електронне й електричне обладнання чи аксесуари разом із побутовими відходами.

Споживачі чи кінцеві користувачі в країнах ЄС та Сполученому Королівстві мають звернутися до місцевого представника постачальника обладнання чи сервісного центру для отримання інформації про систему збору відходів у їхній країні.

Обмеження відповідальності

Зверніть увагу, що певні характеристики, об'єкти й можливості, описані в цьому документі, можуть бути недоступні або неліцензовані для використання в конкретній системі або можуть залежати від характеристик конкретного пристрою мобільного зв'язку чи конфігурації деяких параметрів. По додаткову інформацію звертайтеся до компанії Motorola Solutions через свою контактну особу.

© Motorola Solutions, Inc., 2022. Усі права захищено.

Дотримання нормативних вимог до радіочастотного випромінювання та безпечності виробу

ЗАСТЕРЕЖЕННЯ:

Перед використанням цього виробу прочитайте надані в комплекті з пристроєм відомості щодо впливу енергії радіочастотного випромінювання й посібник із безпечної експлуатації, у якому також наведено дані щодо відповідності пристрою чинним стандартам і нормам.

Безпека органів слуху

Тривалий гучний шум будь-якого походження може тимчасово або назавжди пошкодити слух. Що вищу гучність радіопристрою встановлено, то менше часу ним можна користуватися без ризику для слуху. Погіршення слуху через гучний шум не завжди виявляється одразу, воно може розвиватися поступово. Для захисту слуху дотримуйтеся наведених нижче рекомендацій.

- використовуйте найменшу гучність, необхідну для виконання роботи;
- збільшуйте гучність лише в середовищі із сильним шумом;
- зменшуйте гучність, перш ніж надівати навушники;
- обмежуйте час використання будь-яких гарнітур або навушників за високої гучності;
- Якщо радіопристрій використовується без гарнітури або навушників, не наближайте динамік пристрою безпосередньо до вуха.
- Якщо ви відчуваєте слуховий дискомфорт, дзвеніння у вухах чи приглушення мови, слід припинити прослуховування радіопристрою через гарнітуру чи навушники та звернутися до лікаря для перевірки слуху. Щоб змінити рівень гучності, див. буклет із техніки безпеки для радіопристрою або ПЗ для індивідуального програмування (CPS) для налаштування комунікаційного комплексу підвищеної гучності (xL).

Важлива інформація

- Не заряджайте аксесуар за температури нижче 0 °C (32 °F) або вище 45 °C (113 °F).
- Не зберігайте аксесуар під прямими сонячними променями або там, де температура може вийти за межі вказаного діапазону, наприклад усередині припаркованого автомобіля.
- Зберігання повністю зарядженого аксесуара за високих температур може призвести до необоротного зменшення терміну служби внутрішнього акумулятора.
- За низької температури час роботи пристрою від акумулятора може тимчасово скорочуватися.
- Перехідник дистанційного керування має зберігатися за температури від –10 °C (14 °F) до 30 °C (86 °F), щоб мінімізувати необоротну втрату ємності акумулятора.



ПОПЕРЕДЖЕННЯ:

- Щоб уникнути травм, не розбирайте, не проколюйте та не стискайте перехідник, оскільки це може спричинити коротке замикання акумулятора.
- Бережіть перехідник від вогню й високих температур.
- Не утилізуйте перехідник разом із побутовими відходами.
- Не допускайте потрапляння вологи в аудіороз'єм і USB-порт для заряджання. Якщо в аудіороз'єм або USB-порт для заряджання потрапила волога, потрясіть перехідник, щоб видалити її. Коли аудіороз'єм і USB-порт для заряджання не використовуються, обов'язково закривайте їх пилозахисними заглушками.

Обслуговування й гарантія

Жодна частина перехідника, окрім кліпси, не підлягає ремонту. На перехідник надається стандартна обмежена гарантія компанії Motorola Solutions, термін дії якої становить один рік.

Винятки з гарантії

Компанія Motorola Solutions не надає гарантію на встановлення, обслуговування й технічну підтримку Виробу, аксесуарів, акумуляторів або змінних частин.

Компанія Motorola Solutions не несе жодної відповідальності за будь-які проблеми або збитки чи шкоду, спричинені використанням разом із Виробом або під'єднанням до нього допоміжного обладнання або периферійних пристроїв (зокрема акумуляторів, зарядних пристроїв, адаптерів і джерел живлення), виробником або постачальником яких не є Motorola Solutions. Якщо Виріб використовується з допоміжним або периферійним обладнанням, постачальником якого не є компанія Motorola Solutions, компанія Motorola Solutions не гарантує його роботу в поєднанні з Виробом. Компанія Motorola Solutions не оплачуватиме жодних претензій по гарантії, якщо Виріб використовується в такій комбінації, і вважатиме, що Виріб тут ні до чого. У разі розбирання Виробу або відкривання його корпусу гарантія скасовується. Компанія Motorola Solutions відмовляється від відповідальності за будь-які збитки чи шкоду внаслідок неправильного встановлення, виконаного персоналом без відповідних повноважень.

Повідомлення для користувачів (Федеральна комісія зі зв'язку США та Міністерство промисловості Канади)

Цей пристрій відповідає вимогам частини 15 правил Федеральної комісії зі зв'язку США й правил міністерства промисловості Канади щодо використання пристроїв без ліцензії за наступних умов:

- Цей пристрій не повинен створювати радіозавади.
- Цей пристрій має витримувати будь-які радіозавади, які він приймає, навіть якщо вони призводять до його неправильної роботи.
- Будь-які зміни або модифікації пристрою, не схвалені компанією Motorola Solutions, можуть анулювати право користувача на експлуатацію цього обладнання.

Декларація відповідності постачальника

Декларація відповідності постачальника

вимогам параграфу 2.1077(a) частини 2 титулу 47 Зведення федеральних нормативних актів (CFR) Федеральної комісії зі зв'язку (FCC) США



Відповідальна сторона

Назва: Motorola Solutions, Inc.

Адреса: 2000 Progress Pkwy, Schaumburg, IL. 60196

Телефон: 1-800-927-2744

цим засвідчує, що вироб:

Назва моделі: **WP300**

відповідає вимогам зазначених нижче положень:

статей 15.107(a), 15.107(d) та 15.109(a) підрозділу В розділу 15 Правил Федеральної комісії зі зв'язку (FCC) США

Цифровий пристрій класу В

Цей пристрій відповідає вимогам частини 15 Правил Федеральної комісії зі зв'язку США щодо периферійних пристроїв персональних комп'ютерів. Під час його експлуатації мають виконуватися дві умови:

- 1 Цей пристрій не повинен створювати радіозавади.

- 2 Цей пристрій має витримувати будь-які радіозавади, які він приймає, навіть якщо вони призводять до його неправильної роботи.

**ПРИМІТКА:**

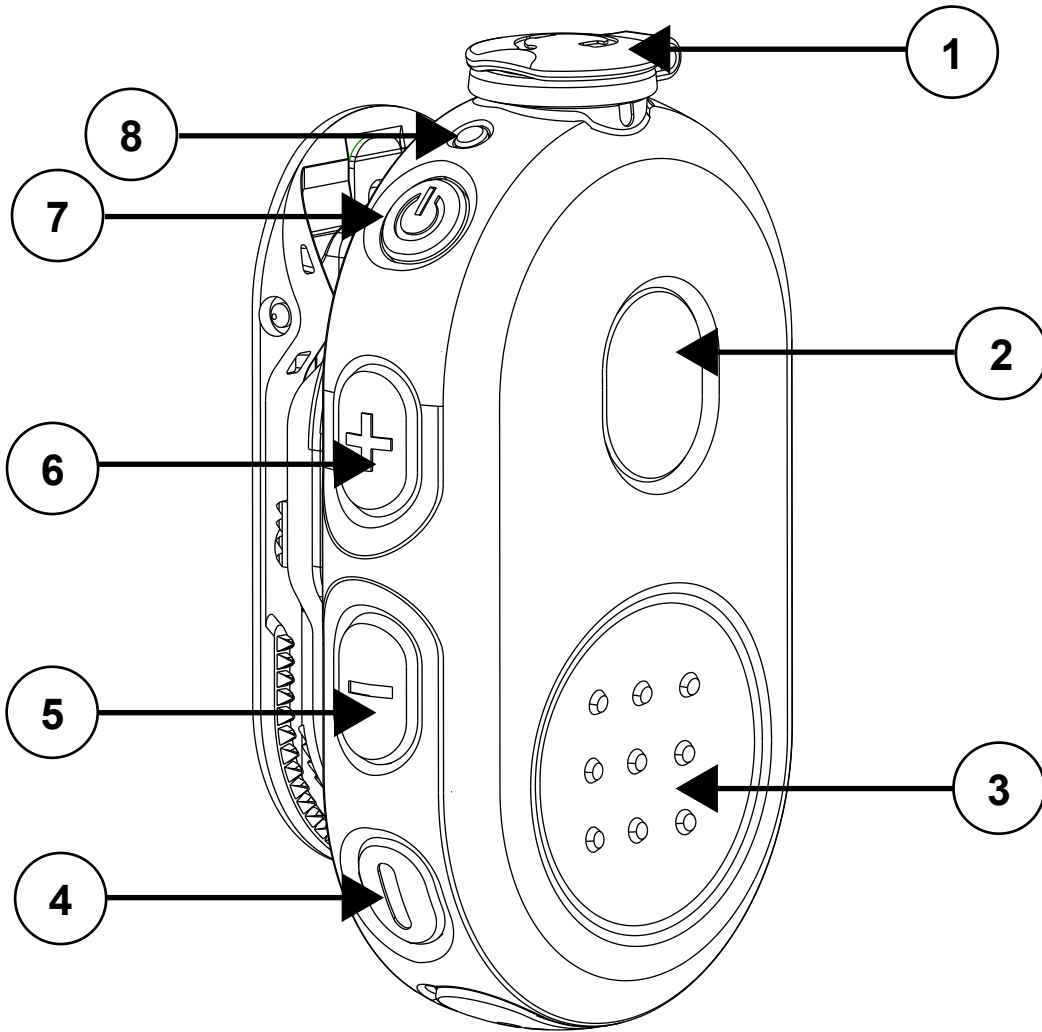
Під час тестування з'ясовано, що це обладнання відповідає обмеженням, установленим для цифрових пристроїв класу В відповідно до частини 15 Правил Федеральної комісії зі зв'язку (FCC) США. Ці обмеження накладено для забезпечення належного захисту від шкідливих радіозавад у разі встановлення пристрою в житлових приміщеннях. Це обладнання генерує, використовує й може випромінювати радіочастотну енергію, а також, за недотримання інструкцій щодо встановлення та експлуатації, може стати причиною виникнення радіозавад для бездротового зв'язку. Однак правильне встановлення не є гарантією відсутності радіозавад.

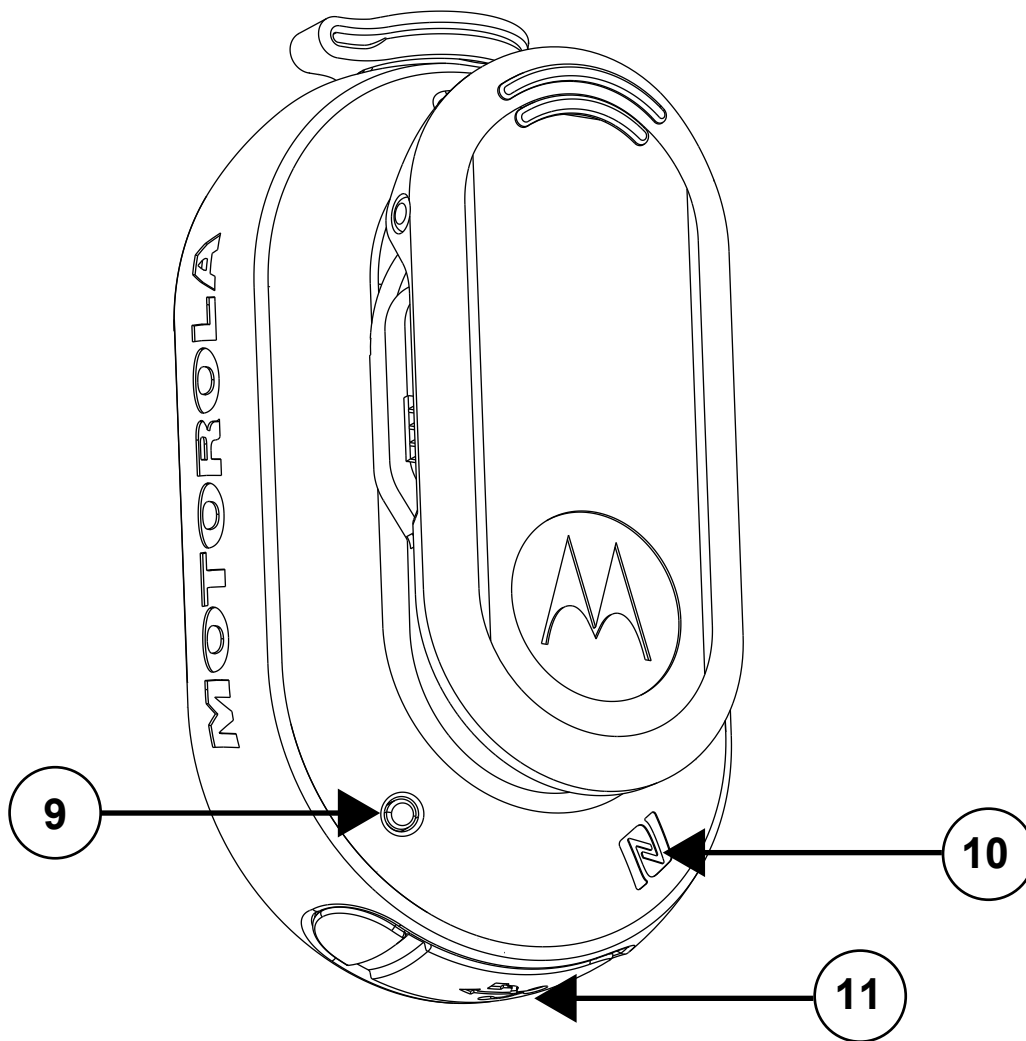
Якщо обладнання все ж створює завади для прийому радіо- чи телесигналу, що можна виявити шляхом вимкнення й увімкнення обладнання, користувач може спробувати усунути цю проблему, уживши принаймні один із наведених далі заходів.

- Змініть положення приймальної антени або перемістіть її.
- Збільште відстань між обладнанням і приймачем.
- Увімкніть обладнання в розетку іншого електричного кола, до якого не під'єднано приймач.
- Звернутися по допомогу до дилера чи кваліфікованого спеціаліста з радіо- чи телеобладнання.

Розділ 1


Огляд перехідника





Таблиця 1 . Огляд і опис перехідника

Елемент	Опис
1	Аудіороз'єм
2	Кнопка виклику / багатофункціональна кнопка (MFB)
3	Кнопка передачі (тангента)
4	Кнопка екстреного зв'язку
5	Зменшення гучності
6	Збільшення гучності
7	Кнопка живлення
8	Індикатор звуку / Bluetooth
9	Індикатор живлення / стану акумулятора
10	Розташування антени NFC
11	Роз'єм для заряджання

Елемент	Опис
	ПРИМІТКА: Коли перехідник використовується як автономний пристрій із тангентою, кнопка виклику / багатофункціональна кнопка й кнопки гучності не працюють.

1.1

Сумісність або несумісність радіостанцій / пристроїв

Нижче наведено список радіостанцій або пристроїв, сумісних із PMLN8298.

Сумісність радіостанцій / пристроїв

- Evolve і BYOD (Android або iOS) із Kodiak версії 10.0.x або новішої
- SLN1000
- Серія TLK 100, TLK150
- LEX L11



ПРИМІТКА: TLK100, TLK150 і SLN1000 підтримують WP300 лише з навушником PMLN8190, PMLN8077 або PMLN8125. (Підключення окремого Bluetooth-навушника або дротового навушника до TLK-пристрою не підтримується.)

Таблиця 2 . Сумісні частини й аксесуари

Номер за каталогом	Опис
PMLN8077A ¹	Навушник із вбудованою тангентою зі стандартним шнуром
PMLN8125A ¹	Навушник із вбудованою тангентою з коротким шнуром
PMLN8190A ¹	Однодротовий модернізований навушник із прозорою оболонкою й штекером 2,5 мм, прямої конструкції
PMLN6246A	Поворотна кліпса для бездротових перехідників із тангентою
PMLN8332A ¹	Чохол із кронштейном WP300



ПРИМІТКА:

- Ці аксесуари можуть бути сполучені з пристроєм на платформі Kodiak Broadband PTT. Щоб увімкнути функцію кнопки екстреного зв'язку, переконайтеся, що ця функція ввімкнена на Kodiak. Інструкції з налаштування дивіться в посібнику користувача Kodiak.
- Назва пристрою Bluetooth: WP300_хххх. Рядок «WP300_хххх» позначає назву Bluetooth-пристрою. «хххх» – це останні чотири символи адреси Bluetooth.
- MAC-адреса вказана у верхній частині коробки виробу та в QR-коді позаду кліпси для кріплення на ремені. Також у коробці виробу є додаткові наклейки з MAC-адресою.
- Для підтримки нових пристроїв / радіостанцій і функціональних можливостей оновить вбудоване програмне забезпечення WP300 до останньої версії.

Несумісність радіостанцій / пристроїв

- Pixel 4 Android 10

¹ Ці аксесуари купуються окремо.

Розділ 2

Початок роботи

Ознайомтеся з основною інформацією щодо використання перехідника дистанційного керування.

2.1

Заряджання перехідника

Передумови: Вимкніть перехідник, перш ніж починати заряджання.

Процедура:

- 1 Щоб зарядити перехідник, підключіть до нього USB-кабель заряджання.
- 2 Під'єднайте кабель заряджання до USB-порту джерела живлення.

Таблиця 3 . Індикатор заряджання

Індикація живлення	Опис
Швидко блимаючий червоний	Помилка заряджання.
Постійний червоний	Триває заряджання
Блимаючий зелений	Заряджено майже повністю
Постійний зелений	Акумулятор повністю заряджено

2.1.1

Індикація стану акумулятора

У таблиці нижче наведено дані про індикацію перехідника, коли він не заряджається.

Таблиця 4 . Індикація стану акумулятора

Індикація живлення	Опис
Відсутня	Середній або високий рівень заряду акумулятора.
Блимаючий червоний	Низький рівень заряду.

2.1.2

Індикація стану

Таблиця нижче допоможе вам зрозуміти індикацію стану звуку й функції Bluetooth.

Таблиця 5 . Стан звуку та Bluetooth

Індикація звуку / Bluetooth	Опис
Блимаючий синій	Початок сполучення
Постійний синій	Від'єднано
Подвійне блимання синім (один раз)	Під'єднано

Індикація звуку / Bluetooth	Опис
Постійний червоний	Мікрофон вимкнено
Блимаючий зелений	Прийом вхідного виклику



ПРИМІТКА: Коли перехідник використовується як автономний пристрій із тангентною, мікрофон буде вимкнено, а індикація вхідних викликів не застосовуватиметься.

Таблиця 6 . Індикація стану

Індикатор	Індикація	Опис
Звук / Bluetooth	Подвійне блимання синім	Під'єднано
Живлення	Подвійне блимання зеленим	Високий рівень заряду акумулятора
	Подвійне блимання жовтим	Середній рівень заряду акумулятора



ПРИМІТКА: Щоб визначити детальний стан перехідника, коротко натисніть кнопку **Power** (Живлення).

Таблиця 7 . Індикація режиму роботи

Індикатор	Індикація	Опис
Світлодіод функції Bluetooth і живлення	Обидва світлодіоди одночасно блимають красним.	Помилка режиму роботи.
	Світлодіод функції Bluetooth двічі блимає синім, а індикатор живлення одночасно двічі блимає зеленим.	Перехідник вмикає або вимикає режим затемнення.

Відомості про правильне налаштування режиму роботи дивіться в розділі [Switching the Operation Mode](#) (Вибір режиму роботи).

2.1.3

Зарядний пристрій Micro-USB

У цьому розділі наведено інформацію щодо використання зарядного пристрою Micro-USB.

- Зарядний пристрій Micro-USB – це зручний порт, який дає змогу легко заряджати акумулятор.
- Переконайтеся, що ваш пристрій вимкнено.
- Вставте кабель Micro-USB у зарядний порт Micro-USB на своєму пристрої.
- Під'єднайте зарядний USB-пристрій до легкодоступної настінної розетки поблизу.



ЗАСТЕРЕЖЕННЯ:

Під час підключення та від'єднання тримайтеся за USB-з'єднувач. Не тягніть за кабель. Не перекручуйте пілозахисну заглушку.

2.2

Приєднання інтегрованої гарнітури з мікрофона та приймача (наушник)

Процедура:

- 1 Щоб приєднати й зафіксувати навушник, сумістіть символ розблокування на з'єднувачі, вставте з'єднувач і поверніть, щоб символ блокування сумістився.
- 2 Щоб розблокувати й від'єднати навушник, поверніть з'єднувач і сумістіть символ розблокування з поглибленням на передньому корпусі, а потім витягніть з'єднувач.



ПРИМІТКА:

Приєднувати або від'єднувати навушник необхідно до встановлення з'єднання з радіостанцією чи адаптером.

Якщо бездротовий зв'язок буде порушено внаслідок випадкового чи навмисного від'єднання навушника від пристрою або приєднання до нього, почне швидко блимати червоний світлодіод.

2.3

Сполучення або скасування сполучення перехідника

Передумови: Вимкніть свій перехідник.

Сполучення перехідника через Bluetooth

Перш ніж увімкнути аудіорежим, переконайтеся, що навушник бездротового пристрою підключено до перехідника. Щоб увімкнути автономний пристрій із тангентою, від'єднайте навушник.

Процедура:

- 1 Натисніть і утримуйте кнопку **Power** (Живлення), доки синій світлодіод не блимне.
- 2 На сумісному пристрої знайдіть і виберіть зі списку Bluetooth варіант **POD** (Перехідник).

Пристрій підключено.



ПРИМІТКА: Перш ніж розпочати процес сполучення, завжди від'єднуйте WP300 від основного пристрою Bluetooth і видаляйте його зі списку сполучення.

Сполучення перехідника в режимі ближнього зв'язку NFC

Перш ніж увімкнути аудіорежим, переконайтеся, що навушник бездротового пристрою підключено до перехідника. Щоб увімкнути автономний пристрій із тангентою, від'єднайте навушник.

Процедура:

- 1 Натисніть і утримуйте кнопку **Power** (Живлення), доки синій світлодіод не блимне.
- 2 Сумістіть місця розташування антен NFC на перехіднику й сумісному пристрої.
- 3 Перевірте сумісний пристрій на наявність ознак успішного сполучення.

У разі сполучення автономного пристрою з тангентою й певних головних пристроїв з'являється таке повідомлення: `Could not connect to WP300` (Не вдалося підключитися до WP300).

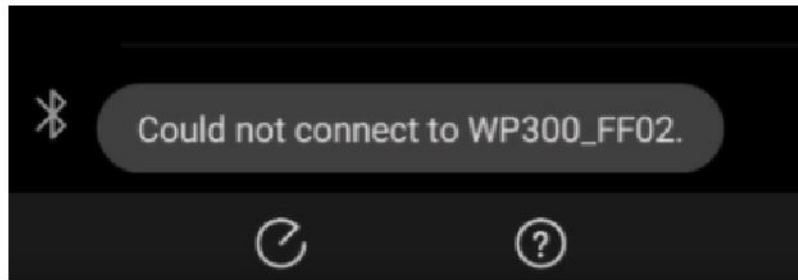
Перевірте роботу кнопок **РТТ** (Тангента) і **Emergency** (Екстрений зв'язок). Якщо ці кнопки працюють нормально, можна проігнорувати це повідомлення. Якщо ці кнопки не працюють, потрібно вручну з'єднати перехідник із пристроєм через Bluetooth.



ПРИМІТКА: Перш ніж розпочати процес сполучення, завжди від'єднуйте WP300 від основного пристрою Bluetooth і видаляйте його зі списку сполучення.

Приклад:

Рисунок 1 . Повідомлення



Скасування сполучення перехідника

Процедура:

- 1 Видаліть перехідник зі списку сполучених пристроїв на попередньому сполученому сумісному пристрої.
- 2 Одночасно натисніть і втримуйте кнопки **Power** (Живлення) і **РТТ** (Тангента).
Перехідник показує, що сполучений пристрій «Видалено».

2.4

Вибір режиму роботи

Перш ніж увімкнути аудіорежим, переконайтеся, що навушник бездротового пристрою підключено до перехідника. Щоб увімкнути автономний пристрій із тангентою, від'єднайте навушник.

Передумови: Вимкніть свій перехідник.

Процедура:

- 1 Якщо перехідник уже під'єднано, видаліть його зі списку сполучених пристроїв на сумісному пристрої.
- 2 Натисніть і втримуйте кнопки **Power** (Живлення) і **РТТ** (Тангента), доки не блимне синій світлодіод.
- 3 Підключіть перехідник до сумісного пристрою.

2.5

Увімкнення або вимкнення режиму затемнення

Режим затемнення дає змогу вимкнути світлодіодні індикатори бездротового пристрою.

Передумови: Увімкніть пристрій.

Процедура:

Увімкнення або вимкнення режиму затемнення пристрою здійснюється за допомогою кнопок **Power** (Живлення) і **MFB**: натискайте їх одночасно, доки синій і зелений світлодіоди не блимнуть двічі.

За допомогою звукового або голосового повідомлення перехідник попередить вас, що світлодіоди вимкнено.

Під час натискання кнопки **Power** (Живлення) на бездротовому пристрої не відобразатиметься світлодіодна індикація для таких ситуацій:

- втрата зв'язку,
- низький рівень заряду акумулятора,
- помилка режиму роботи,
- індикація стану.

2.6

Складання кліпси

Процедура:

- 1 Установіть кліпсу в горизонтальне положення в місце встановлення.



- 2 Зсуньте кліпсу вгору до клацання.



Кліпса має виглядати, як показано на рисунку нижче.



2.7

Зняття кліпси

Процедура:

- 1 Поверніть кліпсу на 90° (за годинниковою стрілкою або у зворотному напрямку).



- 2 Підніміть металеву пружину та зсуньте кліпсу із задньої кришки.



- 3 Піднімаючи металеву пружину, великим пальцем зсуньте кліпсу із задньої кришки.





دليل مستخدم جهاز البود اللاسلكي المزوّد بوحدة تحكم عن بُعد ضروري للعمليات، WP300 PMLN8298

مايو 2022

© 2022 Motorola Solutions, Inc. All rights reserved



MN007883A01-AE

المحتويات

3	مقدمة حول تطبيق Accessory Manager (مدير الملحقات)
4	معلومات السلامة والمعلومات القانونية
4	علامات الشهادات
4	الملكية الفكرية والإشعارات التنظيمية
5	أمان المنتج والتوافق مع متطلبات التعرض لتردد الراديو
5	السلامة السمعية
5	معلومات مهمة
6	الخدمة والضمان
6	استثناء الضمان
7	تنبيه إلى المستخدمين (لجنة الاتصالات الفيدرالية ووزارة الصناعة الكندية)
8	إقرار المورد بالتوافق
9	الفصل 1 : نظرة عامة على جهاز POD
11	1.1 توافق وعدم توافق الراديو/الجهاز
12	الفصل 2 : بدء التشغيل
12	2.1 شحن جهاز Pod
12	2.1.1 مؤشر البطارية
12	2.1.2 مؤشر الحالة
13	2.1.3 شاحن Micro-USB
13	2.2 توصيل سماعة رأس بها ميكروفون/مستقبل مدمج (سماعة أذن)
14	2.3 إقران جهاز البود أو إلغاء إقرانه
14	إقران جهاز البود عبر Bluetooth
14	إقران جهاز البود عبر NFC
15	إلغاء إقران جهاز البود
15	2.4 تبديل وضع التشغيل
15	2.5 دخول الوضع الداكن والخروج منه
16	2.6 تركيب المشبك
17	2.7 فك المشبك

مقدمة حول تطبيق Accessory Manager (مدير الملحقات)

قم بتنزيل تطبيق Accessory Manager (مدير الملحقات) وثبته للحصول على ترقيات البرامج المستقبلية وإصدارات الميزات الجديدة. يُوصى بتهيئة Accessory Manager (مدير الملحقات) لترقية البرنامج الثابت للملحق إلى أحدث إصدار للمرة الأولى قبل الاستخدام.



معلومات السلامة والمعلومات القانونية

يوفر هذا القسم معلومات السلامة والمعلومات القانونية الخاصة بهذا المنتج.

Learning Experience Portal (LXP) Manual do Usuário e documentação relacionada disponíveis em:
[/https://learning.motorolasolutions.com](https://learning.motorolasolutions.com)

علامات الشهادات



معرف CMIIT: 2021DP17747

摩托罗拉系统 (中国) 有限公司

الملكية الفكرية والإشعارات التنظيمية

حقوق الطبع والنشر

قد تتضمن منتجات Motorola Solutions الموضحة في هذا المستند برامج كمبيوتر خاصة بشركة Motorola Solutions محمية بموجب حقوق الطبع والنشر. وتحفظ القوانين في الولايات المتحدة وبلدان أخرى لشركة Motorola Solutions حقوقاً حصرياً معينة في برامج الكمبيوتر المحمية بموجب حقوق الطبع والنشر. وبناءً عليه، لا يجوز نسخ أي برامج كمبيوتر خاصة بشركة Motorola Solutions محمية بموجب حقوق الطبع والنشر وتتضمنها منتجات Motorola Solutions الموضحة في هذا المستند أو إعادة إنتاجها بأي طريقة من دون الحصول على إذن كتابي صريح من شركة Motorola Solutions.

لا تجوز إعادة إنتاج أي جزء من هذا المستند أو إرساله أو تخزينه في نظام استرداد أو ترجمته إلى أي لغة أو لغة الكمبيوتر، بأي صورة أو أي طريقة، من دون الحصول على إذن كتابي سابق من شركة Motorola Solutions, Inc.

العلامات التجارية

إن MOTOROLA وMOTO وMOTOROLA SOLUTIONS وشعار M النمطي هي علامات تجارية أو علامات تجارية مسجلة لشركة Motorola Trademark Holdings, LLC وتستخدم بموجب ترخيص. وكل العلامات التجارية الأخرى مملوكة لمالكها المعنيين.

حقوق الترخيص

لا يُعد شراء منتجات Motorola Solutions بمنزلة منح مباشر أو ضمني، أو بالوقف أو غير ذلك، لأي ترخيص بموجب حقوق الطبع والنشر أو براءات الاختراع أو طلبات تسجيل براءات الاختراع الخاصة بشركة Motorola Solutions، باستثناء ترخيص الاستخدام العادي غير الحصري الخالي من رسوم حقوق المؤلف الذي ينشأ بموجب أعمال القانون في عملية بيع المنتج.

المحتوى مفتوح المصدر

قد يحتوي هذا المنتج على برامج مفتوحة المصدر تُستخدم بموجب ترخيص. راجع وسائط تثبيت المنتج للاطلاع على المحتوى الكامل للإسناد والإشعارات القانونية الخاصة بالمصدر المفتوح.

توجيه الاتحاد الأوروبي (EU) والمملكة المتحدة (UK) بشأن نفايات المعدات الكهربائية والإلكترونية (WEEE)



يتطلب توجيه الاتحاد الأوروبي وكذلك لائحة المملكة المتحدة بشأن نفايات المعدات الكهربائية والإلكترونية (WEEE) أن تتضمن المنتجات المباعة في دول الاتحاد الأوروبي والمملكة المتحدة ملصقاً يحمل شكل صندوق نفايات بعجلة عليه علامة خطأ على المنتج نفسه (أو على العبوة في بعض الحالات). وطبقاً لما ينص عليه التوجيه الخاص بنفايات المعدات الكهربائية والإلكترونية (WEEE)، فإن هذا الملصق الذي يحمل شكل صندوق نفايات بعجلة عليه علامة خطأ يعني أنه يجب على العملاء والمستخدمين النهائيين في دول الاتحاد الأوروبي والمملكة المتحدة عدم التخلص من المعدات أو الملحقات الإلكترونية والكهربائية في النفايات المنزلية.

يجب على العملاء أو المستخدمين النهائيين في دول الاتحاد الأوروبي والمملكة المتحدة الاتصال بمندوب مورد الأجهزة أو مركز الخدمة المحلي للحصول على معلومات حول نظام تجميع النفايات في بلادهم.

إخلاء المسؤولية

يُرجى العلم أن ثمة ميزات ووسائل مساعدة وإمكانات معينة موضحة في هذا المستند قد لا تكون سارية أو مرخصة للاستخدام في نظام معين، أو ربما تعتمد على خصائص وحدة مشترك معينة خاصة بالأجهزة المحمولة أو تكوين معلومات معينة. يُرجى الرجوع إلى جهة اتصال Motorola Solutions لمزيد من المعلومات.

حقوق الطبع والنشر © 2022 لشركة Motorola Solutions, Inc. كل الحقوق محفوظة

أمان المنتج والتوافق مع متطلبات التعرض لتردد الراديو

تنبيه:

قبل استخدام هذا المنتج، اقرأ دليل أمان المنتج والتعرض لطاقة تردد الراديو المرفق مع الراديو والذي يتضمن تعليمات للاستخدام الآمن والتعريف بطاقة تردد الراديو والتحكم فيها من أجل التوافق مع المعايير واللوائح المعمول بها.

السلامة السمعية

قد يؤدي التعرض لضوضاء عالية من أي مصدر لفترات طويلة إلى تأثير حاسة السمع بشكل مؤقت أو دائم. كلما ارتفع مستوى صوت الراديو، كان تأثير حاسة السمع لديك سريعاً. في بعض الأحيان لا يمكن اكتشاف الضرر السمعي الناتج عن الضوضاء العالية في بدايته وقد يكون له تأثير تراكمي. لحماية حاسة السمع:

- استخدم أقل مستوى صوت يحتاج إليه عمك.
- لا ترفع مستوى الصوت إلا إذا كانت البيئة المحيطة بك صاخبة.
- قم بخفض مستوى الصوت قبل ارتداء سماعة الأذن.
- قلّل مدة استخدامك لسماعات الرأس أو سماعات الأذن بمستوى صوت مرتفع.
- عند استخدام الراديو من دون سماعة رأس أو سماعة أذن، لا تضع مكبر صوت الراديو أمام الأذن مباشرةً.
- إذا شعرت بالانزعاج في أثناء الاستماع أو سمعت طنيناً في أذنيك أو خفوتاً في الصوت، فيجب أن تتوقف عن الاستماع إلى الراديو عبر سماعة الرأس أو سماعة الأذن وتفحص حاسة سمعك لدى الطبيب. لتغيير مستوى الصوت، راجع نشرة سلامة المنتج الخاصة بالراديو أو برنامج البرمجة للعملاء (CPS) للوصول إلى تكوينات مجموعة الصوت الأعلى (XL) الخاصة بالمراقبة.

معلومات مهمة

- لا تشحن الملحق في درجة حرارة أقل من 0 درجة مئوية (32 درجة فهرنهايت) أو أكثر من 45 درجة مئوية (113 درجة فهرنهايت).
- لا تقم بتخزين الملحق تحت أشعة الشمس المباشرة أو في مكان قد تتجاوز درجات الحرارة المتوقعة فيه هذا النطاق، كما هو الحال داخل سيارة متوقفة.
- قد يؤدي تخزين الملحق المشحون بالكامل في درجات حرارة عالية إلى تقليل عمر البطارية الداخلية بشكل دائم.
- قد ينخفض عمر البطارية بصورة مؤقتة في درجات الحرارة المنخفضة.
- يجب تخزين جهاز Pod المزوّد بوحدة تحكم عن بُعد في درجات حرارة تتراوح بين -10 درجات مئوية (14 درجة فهرنهايت) و30 درجة مئوية (86 درجة فهرنهايت) للحد من الخسارة الدائمة لسعة البطارية.

تحذير:



- لتفادي حدوث أي ضرر، لا تفكّ جهاز Pod أو تثقبه أو تحطمه لأن هذا الإجراء قد يتسبب في حدوث قصر في دائرة البطارية.
- لا تعرّض جهاز Pod لمصادر حرارة أو حريق ولا تلقه في النار.
- لا تتخلص من جهاز Pod بإلقائه مع النفايات المنزلية.
- لا تملأ مقيس الصوت ومنفذ شحن USB بالماء. وإذا دخل الماء إلى مقيس الصوت و/أو منفذ شحن USB، فقم بإخراج الماء عن طريق هزّ جهاز Pod. غطّ دائماً مقيس الصوت ومنفذ شحن USB بغطاء واقٍ من الغبار عند عدم الاستخدام.

الخدمة والضمان

لا يمكن إصلاح جهاز Pod، باستثناء المشبك. يخضع جهاز Pod للضمان القياسي من Motorola Solutions المحدود لمدة عام واحد.

استثناء الضمان

لا تضمن Motorola Solutions تركيب المنتج أو الملحقات أو البطاريات أو قطع الغيار أو صيانتها أو خدمتها. لا تتحمل Motorola Solutions بأي شكل من الأشكال مسؤولية المشكلات أو الأضرار الناتجة عن أي أجهزة إضافية أو طرفية (من الأمثلة المحددة على ذلك، على سبيل المثال لا الحصر، البطاريات والشواحن والمحولات ومصادر الإمداد بالطاقة) غير مقدّمة أو مصنّعة من قِبل Motorola Solutions ويتم توصيلها بالمنتج أو استخدامها معه. عند استخدام المنتج مع جهاز إضافي أو طرفي غير مقدّم من Motorola Solutions، لا تضمن Motorola Solutions تشغيل مجموعة المنتج/الجهاز الطرفي. لن تلتزم Motorola Solutions بأي مطالبة ضمان عند استخدام المنتج في مثل هذه المجموعة وتقرر Motorola Solutions عدم وجود عطل بالمنتج. عند فتح المنتج أو تفكيكه، يتم إلغاء الضمان على الفور. وتخلي Motorola Solutions مسؤوليتها بشكل خاص عن أي ضرر قد يحدث بأي طريقة نتيجة تركيب غير ملائم من قِبل موظفين غير مصرح لهم.

تنبيه إلى المستخدمين (لجنة الاتصالات الفيدرالية ووزارة الصناعة الكندية)

يتوافق هذا الجهاز مع المادة 15 من قواعد FCC ومع مواصفات معايير الراديو المعفاة من التراخيص التابعة لوزارة الصناعة الكندية وفقاً للشروط التالية:

- لا يتسبب هذا الجهاز في إحداث تداخل ضار.
- يجب أن يقبل هذا الجهاز أي تداخل يتم استقباله، بما في ذلك التداخل الذي قد يؤدي إلى تشغيل غير مرغوب فيه.
- قد تؤدي التغييرات أو التعديلات التي يتم إدخالها، بدون موافقة صريحة من Motorola Solutions، على هذا الجهاز إلى إبطال حق المستخدم في تشغيل هذا الجهاز.

إقرار المورد بالتوافق

إقرار المورد بالتوافق
حسب قانون اللوائح الفيدرالية (CFR) رقم 47 الجزء 2، المادة 2.1077(a) الصادر من لجنة الاتصالات الفيدرالية (FCC)



تقر الجهة المسؤولة

الاسم: Motorola Solutions, Inc.

العنوان: 2000 Progress Pkwy, Schaumburg, IL. 60196

رقم الهاتف: 1-800-927-2744

بموجب هذا الإعلان أن المنتج:

اسم الطراز: **WP300**

متوافق مع اللوائح الآتية:

FCC الجزء 15، الجزء الفرعي B، المادة 15.107(a) والمادة 15.107(d) والمادة 15.109(a)

الجهاز الرقمي من الفئة (ب)

هذا الجهاز متوافق مع الجزء 15 من قواعد لجنة الاتصالات الفيدرالية (FCC) بصفته جهازاً طرفياً للكمبيوتر الشخصي. يخضع التشغيل للشروط الآتية:

- 1 لا يتسبب هذا الجهاز في إحداث تداخل ضار ، و
- 2 يجب أن يقبل هذا الجهاز أي تداخل يتم استقباله، بما في ذلك التداخل الذي قد يؤدي إلى تشغيل غير مرغوب فيه.

ملاحظة:

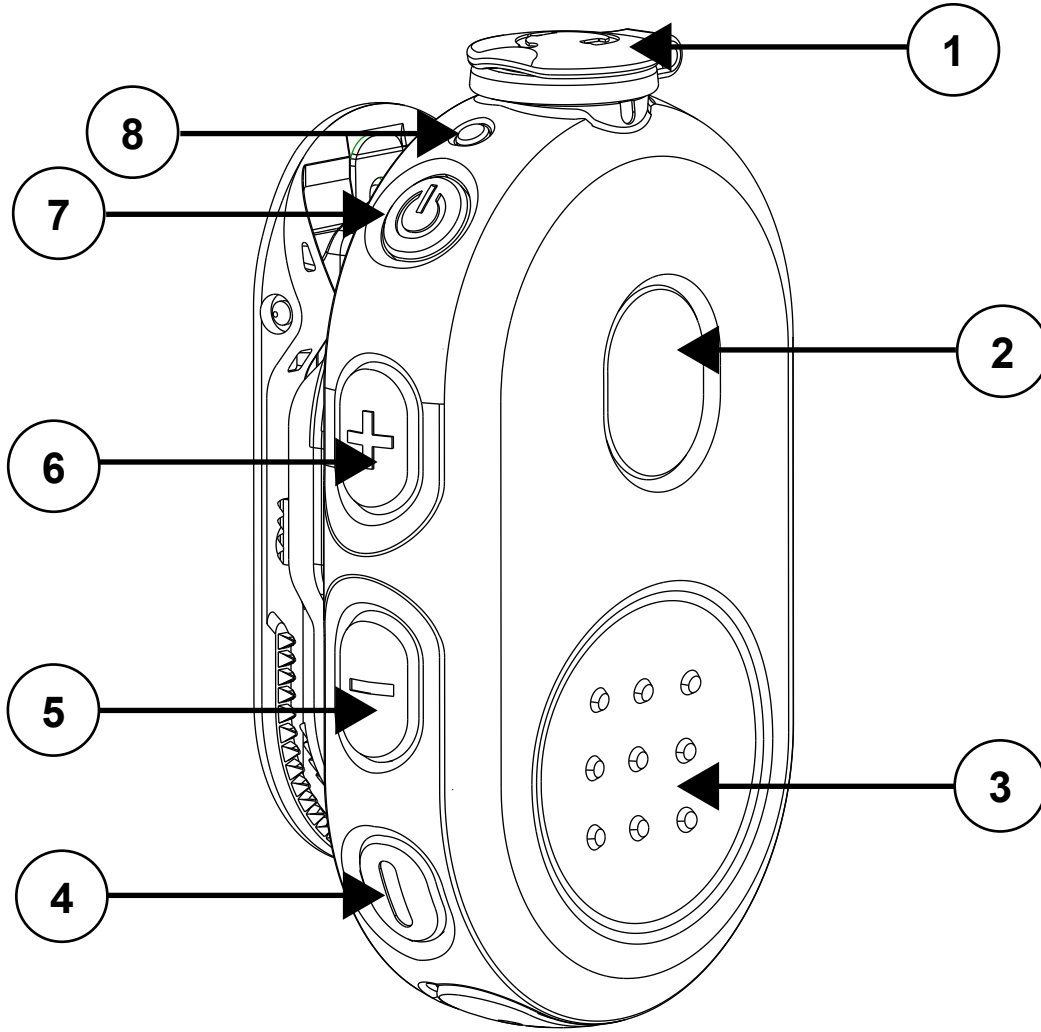


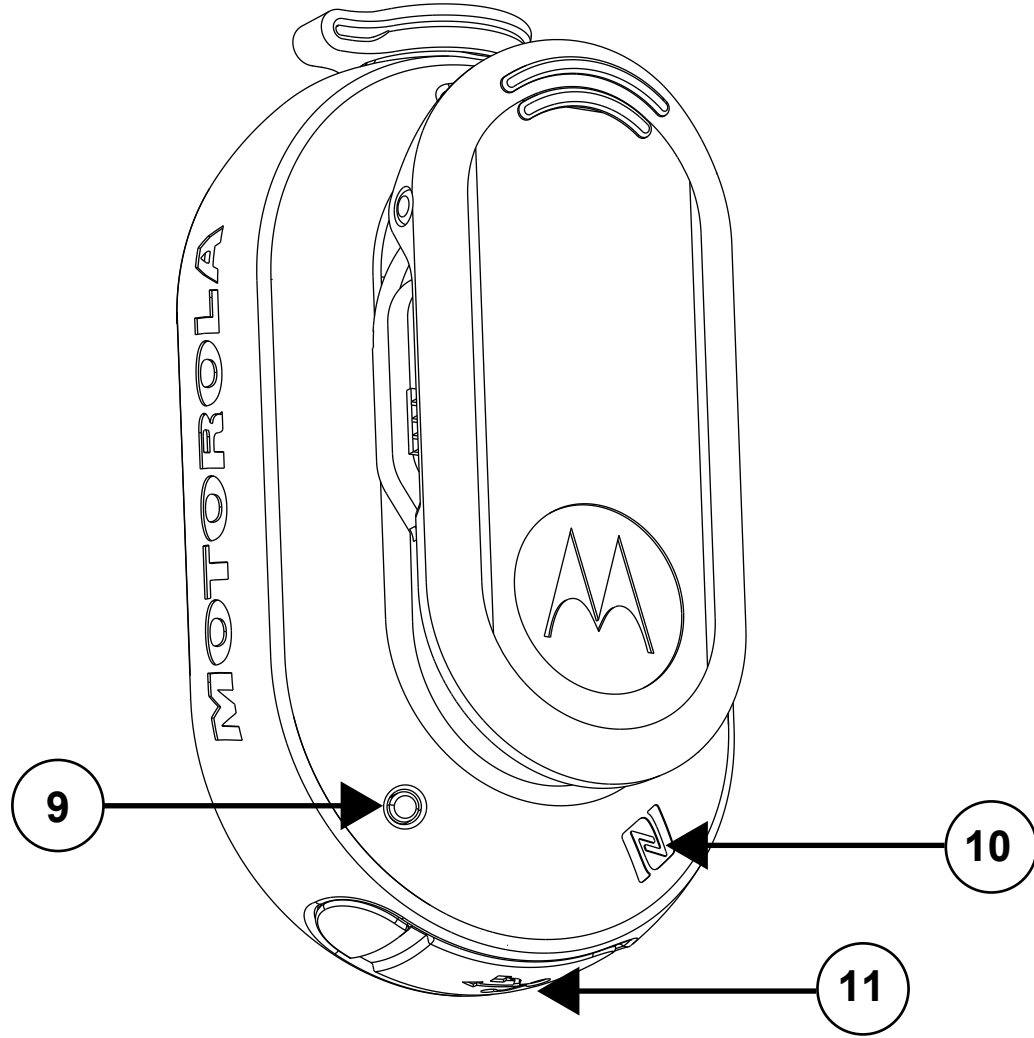
تم اختبار هذا الجهاز والتأكد من توافقه مع حدود الجهاز الرقمي من الفئة (ب)، وفقاً للجزء 15 من قواعد لجنة الاتصالات الفيدرالية (FCC). تم تصميم هذه الحدود لتوفير حماية معقولة ضد التداخل الضار للتركيب في الأماكن السكنية. يولد هذا الجهاز طاقة تردد راديو ويستخدمها ويمكن أن يشعها، وإذا لم يتم تركيبه واستخدامه وفق التعليمات، فقد يؤدي إلى حدوث تداخل ضار في اتصالات الراديو. ومع ذلك، لا يوجد ضمان بأن التداخل لن يحدث في تركيب معين.

إذا تسبب هذا الجهاز في تداخل ضار باستقبال التلفاز أو الراديو، يمكن تحديده من خلال إيقاف تشغيل الجهاز وتشغيله، فيوصى المستخدم بمحاولة تصحيح التداخل باتباع واحد أو أكثر من الإجراءات الآتية:

- إعادة توجيه هوائي الاستقبال أو تغيير موقعه.
- زيادة المسافة الفاصلة بين الجهاز وجهاز الاستقبال.
- توصيل الجهاز بمنفذ على دائرة كهربائية مختلفة عن تلك التي تم توصيل جهاز الاستقبال بها.
- مراجعة الوكيل أو فني تلفاز أو راديو ذي خبرة للحصول على المساعدة.


نظرة عامة على جهاز POD





الجدول 1 : نظرة عامة على جهاز Pod ووصفه

المصق	الوصف
1	مقبس الصوت
2	زر الاتصال/الزر متعدد الوظائف (MFB)
3	زر PTT
4	زر الطوارئ
5	خفض الصوت
6	رفع الصوت
7	زر التشغيل
8	مؤشر الصوت/Bluetooth
9	مؤشر الطاقة/البطارية
10	موقع NFC
11	منفذ الشحن

المصق	الوصف
	ملاحظة: لا ينطبق زر الاتصال/الزر متعدد الوظائف وأزرار مستوى الصوت عند العمل كجهاز PTT مستقل.


1.1

توافق وعدم توافق الراديو/الجهاز

قائمة بأجهزة الراديو أو الأجهزة المتوافقة مع PMLN8298:

التوافق مع الراديو/الأجهزة

- Evolve و BYOD (بنظام Android أو iOS) مع Kodiak App الإصدار x.10.0 وما بعده
- SLN1000
- سلسلة TLK 100 ، TLK150
- LEX L11

ملاحظة: توفر TLK100 و TLK150 و SLN1000 الدعم لـ WP300 مع سماعة الأذن PMLN8190 أو PMLN8077 أو PMLN8125 فقط. (سماعة الأذن السلكية أو Bluetooth المنفصلة والمتصلة بجهاز TLK غير مدعومة.) 

الجدول 2 : القطع والملحقات المتوافقة

رقم القطعة	الوصف
PMLN8077A ¹	سماعة أذن بزر PTT مدمج مع سلك قياسي
PMLN8125A ¹	سماعة أذن بزر PTT مدمج مع سلك قصير
PMLN8190A ¹	سماعة أذن ذات أنبوب شفاف محسن بسلك واحد، مع مشبك أحادي مقاس 2,5 مم، وتصميم مستقيم
PMLN6246A	مشبك دوار لأجهزة اليود اللاسلكية المزودة بزر اضغط للتحدث
PMLN8332A ¹	جراب حامل تثبيت WP300

ملاحظة:

- يمكن إقران هذه الملحقات بجهاز يدعم PTT بنطاق ترددي واسع من Kodiak. لتمكين وظيفة زر الطوارئ، تأكد من تمكين وظيفة الطوارئ في Kodiak. راجع دليل مستخدم Kodiak للحصول على إرشادات الإعداد.
- اسم جهاز Bluetooth: WP300_xxxx. إن سلسلة الأحرف "WP300_xxxx" هي اسم جهاز Bluetooth. و"xxxx" هي آخر أربعة أحرف من عنوان Bluetooth.
- يوجد عنوان MAC في الجزء العلوي من العلبة الخاصة بكل جهاز وضمن رمز الاستجابة السريعة خلف مشبك الحزام. تتوفر ملصقات عنوان MAC إضافية داخل العلبة الخاصة بالجهاز.
- لدعم الأجهزة/أجهزة الراديو والوظائف الجديدة، قم بترقية البرنامج الثابت لـ WP300 إلى أحدث إصدار.

عدم توافق الراديو/الجهاز

- Pixel 4 Android 10

¹ يتم شراء هذه الملحقات بشكل منفصل.

بدء التشغيل

اطلع على المعلومات الأساسية لتتعرف أكثر على طريقة استخدام جهاز Pod المزود بوحدة تحكم عن بُعد.

2.1

شحن جهاز Pod

المتطلبات المسبقة: أوقف تشغيل جهاز Pod قبل الشحن.

الإجراء:

- 1 قم بتوصيل كابل شحن USB بجهاز Pod لشحنه.
- 2 قم بتوصيل كابل الشحن بمصدر طاقة USB.

الجدول 3 : مؤشر الشحن

مؤشر الطاقة	الوصف
أحمر وامض بشكل سريع	خطأ في الشحن
أحمر ثابت	قيد الشحن
أخضر وامض	اكتمل الشحن تقريباً
أخضر ثابت	تم شحن البطارية بالكامل

2.1.1

مؤشر البطارية

عندما يتعدّر شحن Pod، راجع الجدول التالي لفهم المؤشر.

الجدول 4 : مؤشر البطارية

مؤشر الطاقة	الوصف
مطفأ	مستوى شحن البطارية متوسط أو مرتفع.
أحمر وامض	مستوى شحن البطارية منخفض.

2.1.2

مؤشر الحالة

راجع الجدول التالي لفهم مؤشرات حالة الصوت و Bluetooth.

الجدول 5 : حالة الصوت و Bluetooth

مؤشر الصوت/Bluetooth	الوصف
أزرق وامض	دخول الإقران
أزرق ثابت	غير متصل
أزرق وامض بطريقة ازدواجية (مرة واحدة)	متصل
أحمر ثابت	تم كتم صوت الميكروفون

مؤشر الصوت/Bluetooth	الوصف
أخضر وامض	تلقي مكالمة واردة
<p>ملاحظة: يتم كتم صوت الميكروفون ولا ينطبق مؤشر المكالمة الواردة عند العمل كجهاز PTT مستقل.</p>	

الجدول 6 : مؤشر الحالة

المؤشر	الإشارة	الوصف
الصوت/Bluetooth	أزرق وامض بطريقة ازدواجية	متصل
الطاقة	أخضر وامض بطريقة ازدواجية	مستوى شحن البطارية مرتفع
	كهرماني وامض بطريقة ازدواجية	مستوى شحن البطارية متوسط
<p>ملاحظة: لتحديد الحالة التفصيلية لجهاز Pod، اضغط ضغطة قصيرة على زر التشغيل.</p>		

الجدول 7 : مؤشر وضع التشغيل

المؤشر	الإشارة	الوصف
مؤشرا LED للطاقة و Bluetooth	يومض مؤشرا LED باللون الأحمر في الوقت نفسه.	خطأ في وضع التشغيل
	يومض مؤشر LED لـ Bluetooth باللون الأزرق مرتين ويومض مؤشر LED للطاقة باللون الأخضر مرتين في الوقت نفسه.	يدخل جهاز POD في الوضع الداكن أو يخرج منه

راجع تبديل وضع التشغيل لمعرفة الإعداد الصحيح لوضع التشغيل.

2.1.3

شاحن Micro-USB

يوفر هذا القسم معلومات حول استخدام شاحن Micro-USB.

- إن شاحن Micro-USB هو منفذ سهل الاستخدام يتيح لك شحن البطارية بشكل مريح.
- تأكد من إيقاف تشغيل جهازك.
- قم بتوصيل كابل Micro-USB بمنفذ شحن Micro-USB في جهازك.
- قم بتوصيل شاحن USB بمأخذ طاقة جداري قريب يسهل الوصول إليه.

تنبيه:

أمسك موصل USB عند توصيله وإخراجه. ولا تسحب الكابل.

لا تقم بلف الغطاء الواقي من الغبار.

2.2

توصيل سماعة رأس بها ميكروفون/مستقبل مدمج (سماعة أذن)

الإجراء:

- 1 لتوصيل سماعة الأذن وتثبيتها، قم بمحاذاة رمز إلغاء القفل على الموصل واضغط على الموصل للداخل وأدره حتى تتم محاذاة رمز القفل.

2 لفتح سماعة الأذن وفصلها، أدر الموصل لمحاذاة رمز إلغاء القفل مع التجويف الموجود على الهيكل الأمامي واسحب الموصل للخارج.

ملاحظة:



قم بتوصيل سماعة الأذن أو فصلها قبل التوصيل بالراديو أو المحول.

إذا تم فصل الاتصال اللاسلكي عند إزالة سماعة الأذن أو توصيلها من دون قصد أو عمدًا، فسيومض مؤشر LED باللون الأحمر بسرعة.

2.3

إقران جهاز البود أو إلغاء إقرانه

المتطلبات المسبقة: قم بإيقاف تشغيل جهاز البود.

إقران جهاز البود عبر Bluetooth

للتشغيل في وضع الصوت، تأكد من توصيل جزء سماعة الأذن في الجهاز اللاسلكي بجزء البود. للعمل كجهاز PTT مستقل، قم بإزالة سماعة الأذن.

الإجراء:

1 اضغط باستمرار على زر التشغيل حتى يومض مؤشر LED الأزرق.

2 من الجهاز المتوافق، ابحث عن البود وحدده من قائمة Bluetooth.

يصبح الجهاز متصلًا.

ملاحظة: قم دائمًا بإلغاء إقران WP300 من مضيف Bluetooth ومسح الإقران قبل بدء عملية الإقران.



إقران جهاز البود عبر NFC

للتشغيل في وضع الصوت، تأكد من توصيل جزء سماعة الأذن في الجهاز اللاسلكي بجزء البود. للعمل كجهاز PTT مستقل، قم بإزالة سماعة الأذن.

الإجراء:

1 اضغط باستمرار على زر التشغيل حتى يومض مؤشر LED الأزرق.

2 اضبط مواقع NFC على كل من جهاز البود والأجهزة المتوافقة.

3 تحقق من الجهاز المتوافق للتأكد من نجاح عملية الإقران.

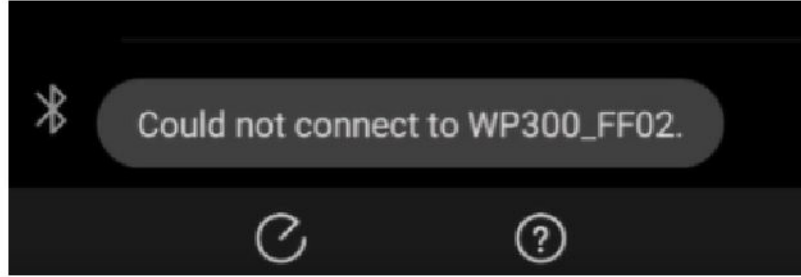
عند إقران جهاز PTT مستقل بأجهزة مضيئة معينة، تظهر رسالة المطالبة التالية: تعذر الاتصال بـ WP300.

يجب التحقق مما إذا كان زر PTT وزر الطوارئ يعملان جيدًا. إذا كانت الأزرار تعمل، فيمكنك تجاهل رسالة المطالبة هذه. وإذا كانت الأزرار لا تعمل، فستحتاج إلى إقران جهاز البود بالجهاز يدويًا عبر Bluetooth.

ملاحظة: قم دائمًا بإلغاء إقران WP300 من مضيف Bluetooth ومسح الإقران قبل بدء عملية الإقران.



مثال:



إلغاء إقران جهاز البود

الإجراء:

- 1 قم بإزالة جهاز البود من قائمة الأجهزة المقترنة في الجهاز المتوافق المقترن السابق.
 - 2 اضغط مع الاستمرار على زرّي التشغيل و PTT في الوقت نفسه.
- يشير جهاز البود إلى "مسح" الجهاز المقترن.

2.4

تبديل وضع التشغيل

للتشغيل في وضع الصوت، تأكد من توصيل جزء سماعة الأذن في الجهاز اللاسلكي بجزء البود. للعمل كجهاز PTT مستقل، قم بإزالة سماعة الأذن.

المتطلبات المسبقة: قم بإيقاف تشغيل جهاز البود.

الإجراء:

- 1 قم بإزالة جهاز البود من قائمة الأجهزة المقترنة على الجهاز المتوافق إذا كان قد تم إقران جهاز البود من قبل.
- 2 اضغط باستمرار على زرّي التشغيل و PTT في الوقت نفسه حتى يومض مؤشر LED الأزرق.
- 3 قم بإقران جهاز البود من الجهاز المتوافق.

2.5

دخول الوضع الداكن والخروج منه

يتيح لك الوضع الداكن إيقاف تشغيل مؤشرات LED في جهاز لاسلكي.

المتطلبات المسبقة: قم بتشغيل الجهاز.

الإجراء:

يمكن التبديل بين تشغيل الوضع الداكن وإيقافه على الجهاز بالضغط على زرّي التشغيل و MFB في الوقت نفسه حتى يومض مؤشر LED الأزرق والأخضر مرتين.

يشغل جهاز POD نغمة أو مطالبة صوتية لتنبيهك بإيقاف تشغيل مؤشرات LED.

لا يُظهر الجهاز اللاسلكي مؤشر LED للوظائف التالية عند الضغط على زر التشغيل:

- فقدان الارتباط
- بطارية ضعيفة
- خطأ في وضع التشغيل

- مؤشر الحالة

2.6

تركيب المشبك

الإجراء:

1 ضع المشبك أفقيًا في منطقة مسار المشبك.



2 حرّك المشبك إلى أعلى حتى تسمع صوت تكة.



موضحة فيما يلي الصورة بعد التركيب.



2.7 فك المشبك

الإجراء:

1 قم بتدوير المشبك 90 درجة مئوية (باتجاه عقارب الساعة/عكس اتجاه عقارب الساعة).



2 ارفع الزنبرك المعدني وحرك المشبك لفصله عن الغطاء الخلفي.



3 أثناء رفع الزنبرك المعدني، حرّك المشبك بإبهامك لفصله عن الغطاء الخلفي.

